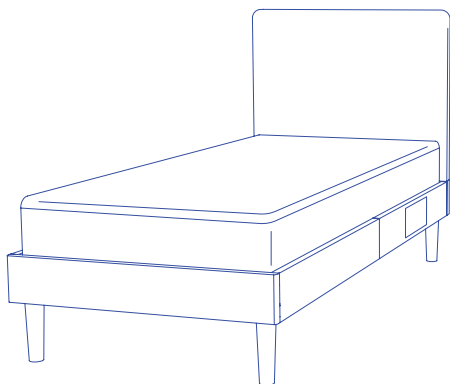
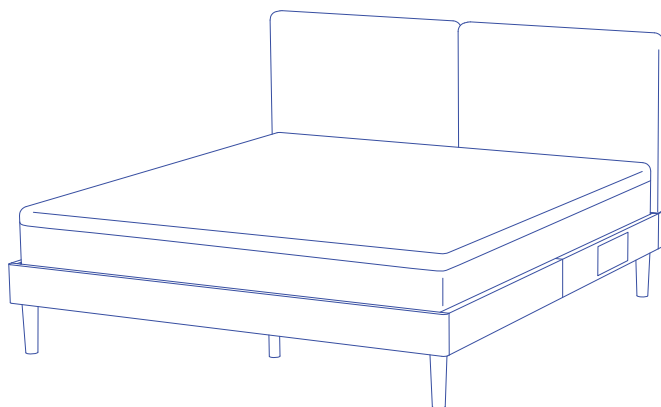


# Emma®



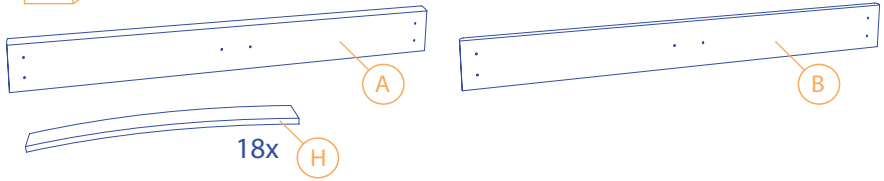
92 x 188, 107 x 188 → pg.2



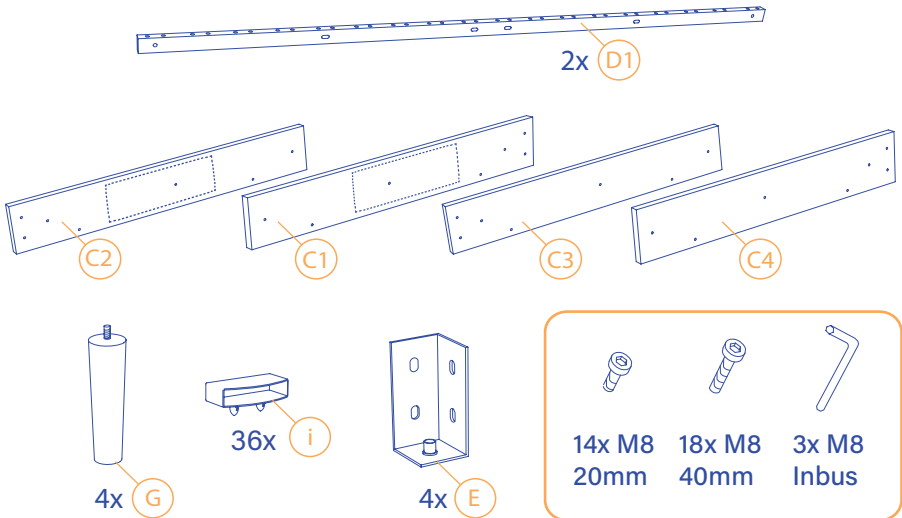
153 x 188, 183 x 188, 183 x 212 → pg.11



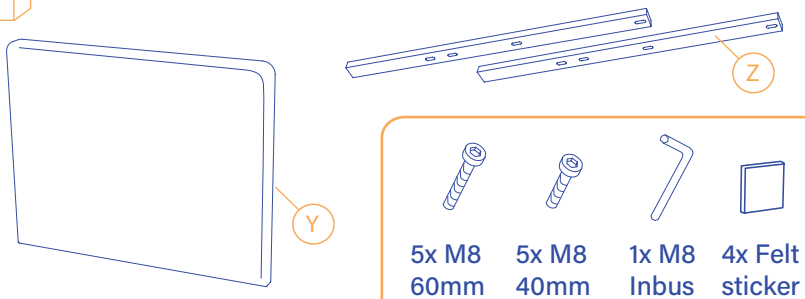
1



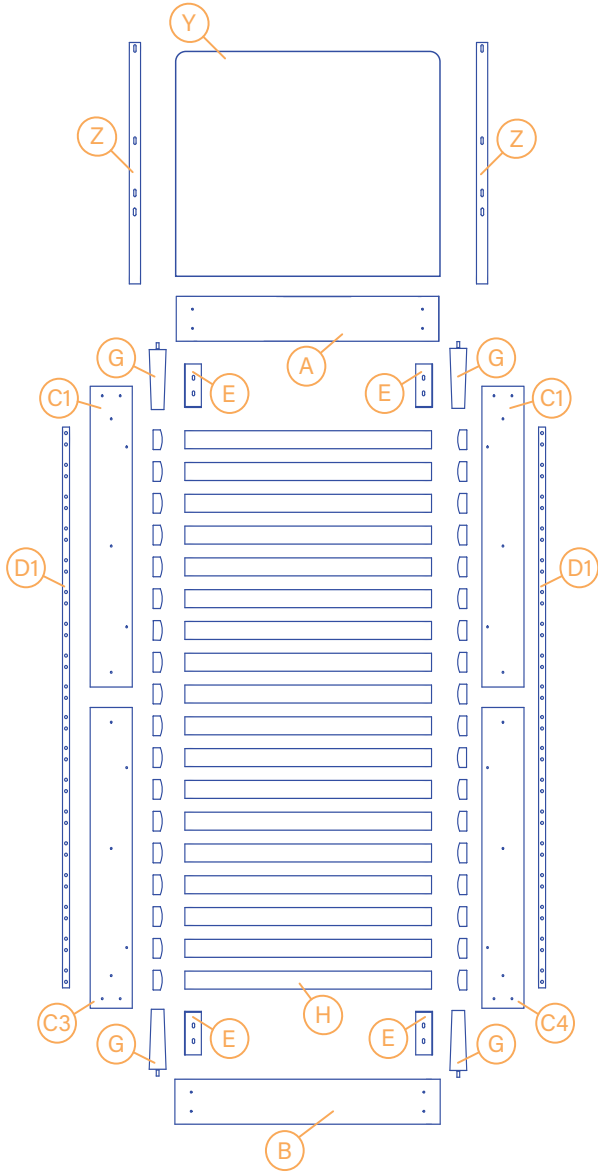
2



3

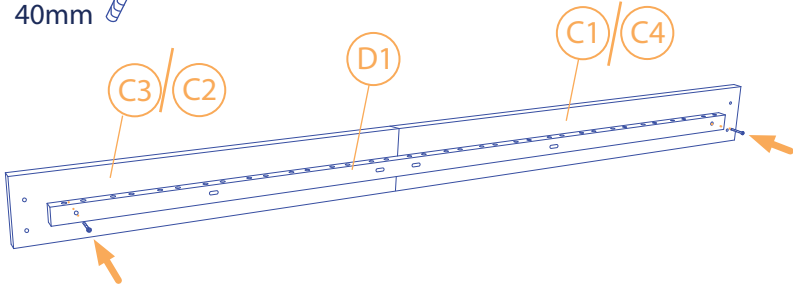


1

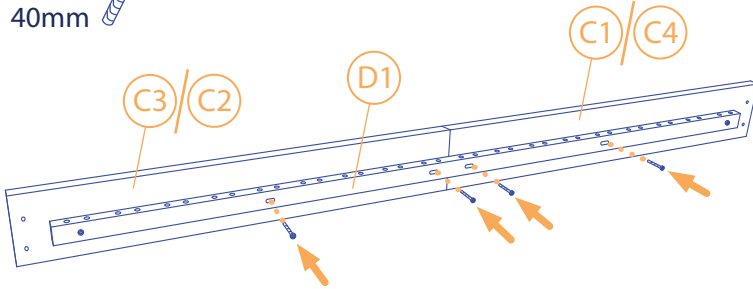


2x

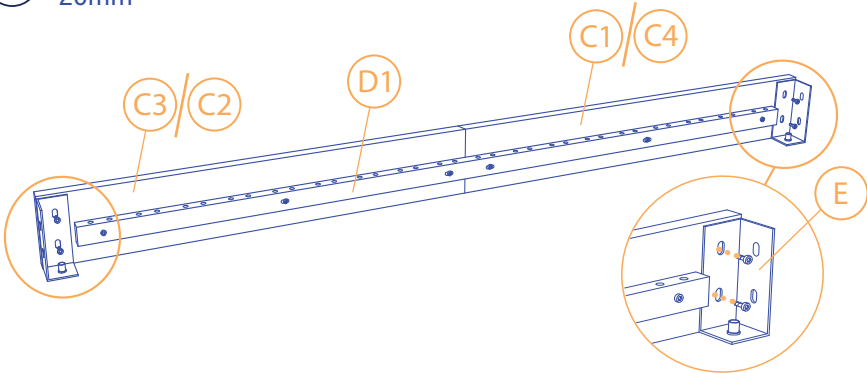
2 2x M8  
40mm 



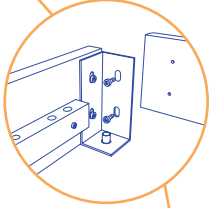
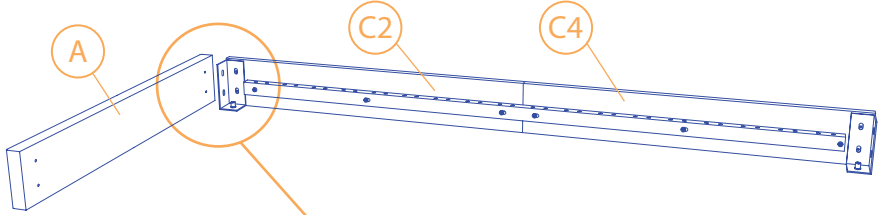
3 4x M8  
40mm 



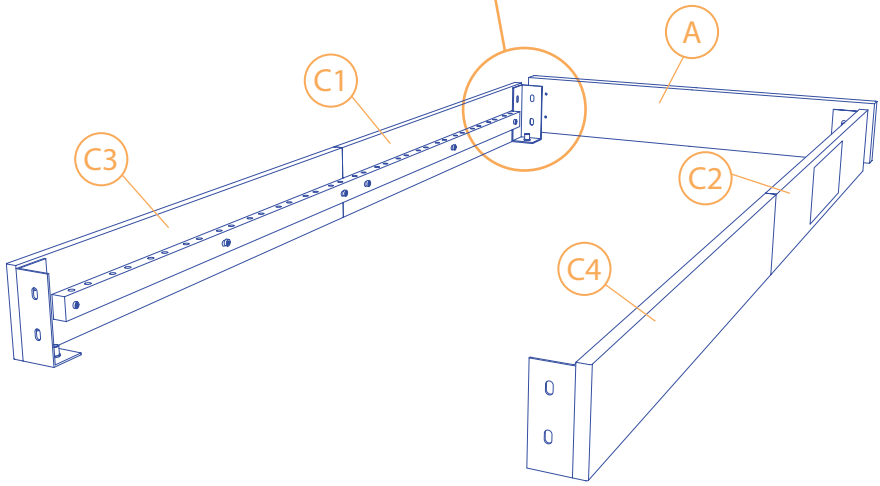
4 4x M8  
20mm 



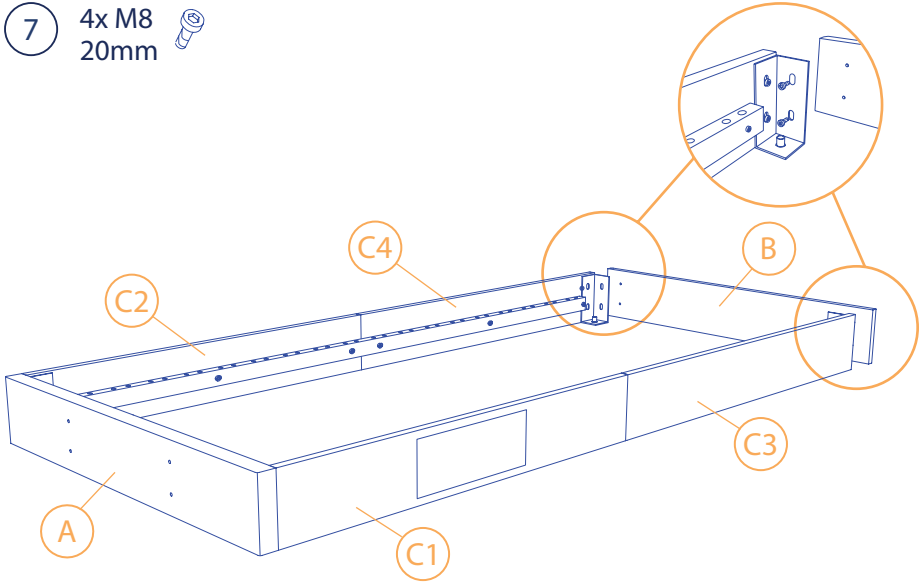
5 2x M8 40mm 



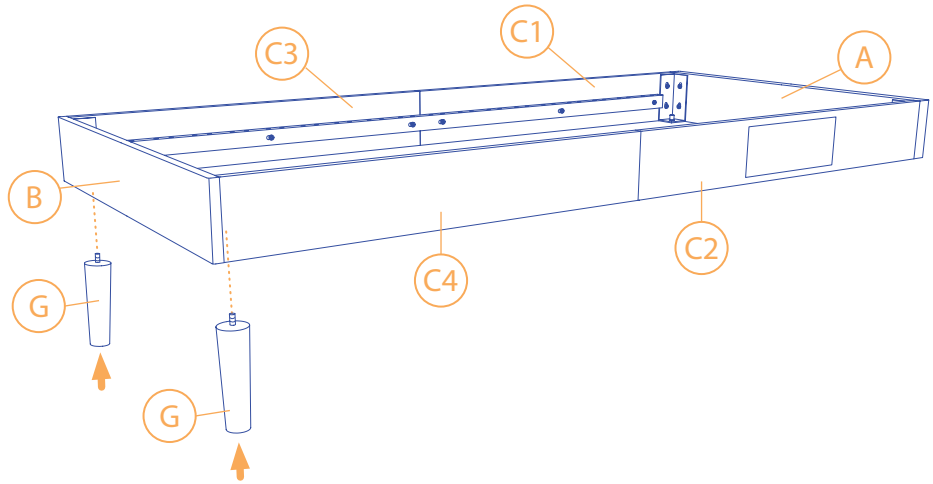
6 2x M8 40mm 



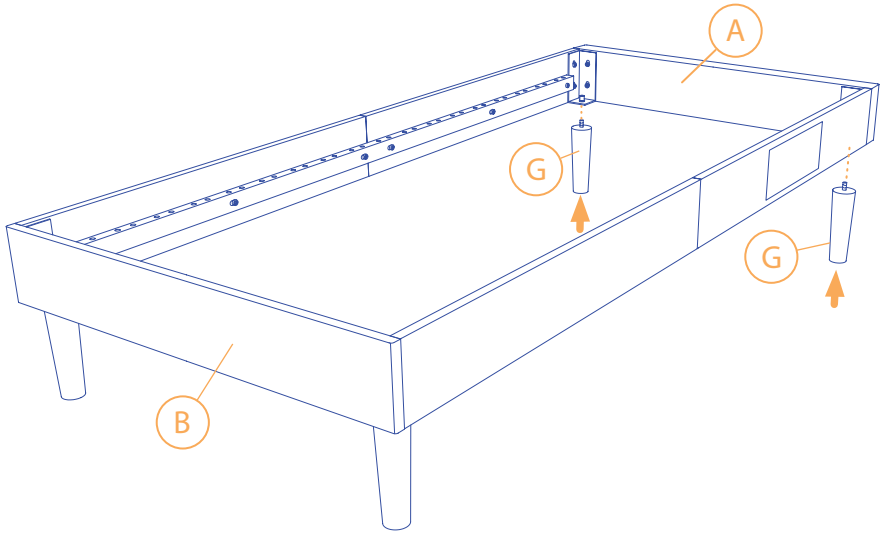
7 4x M8 20mm 



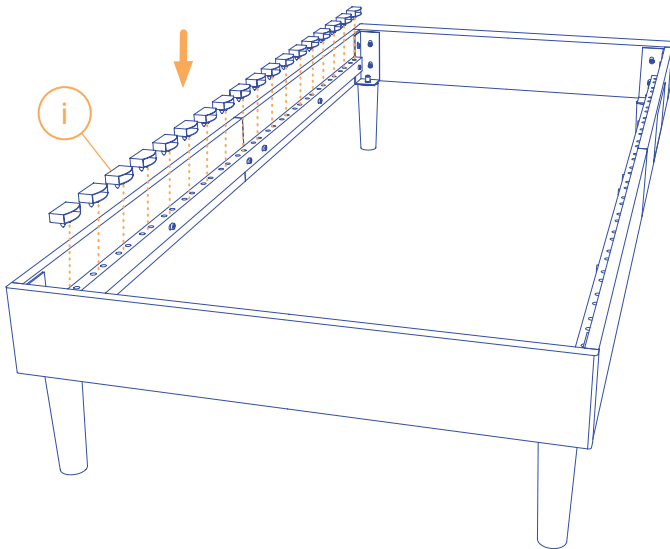
8



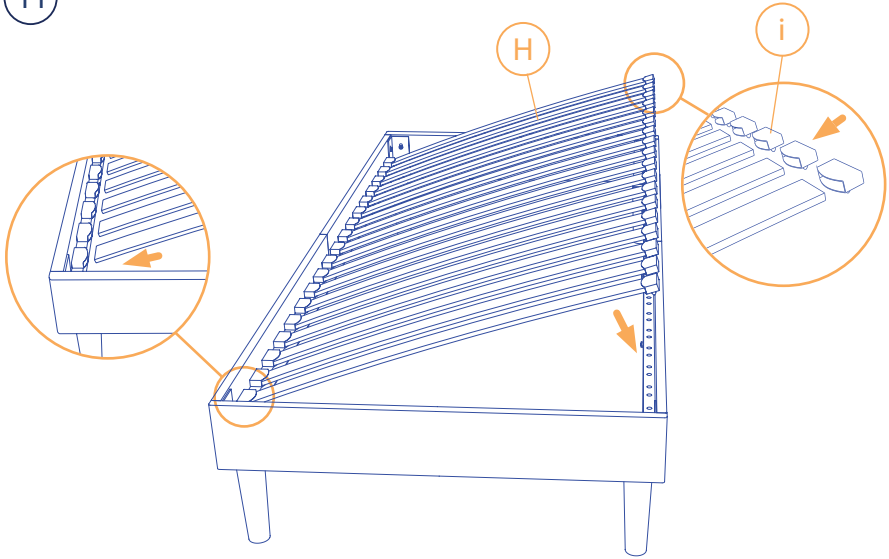
9



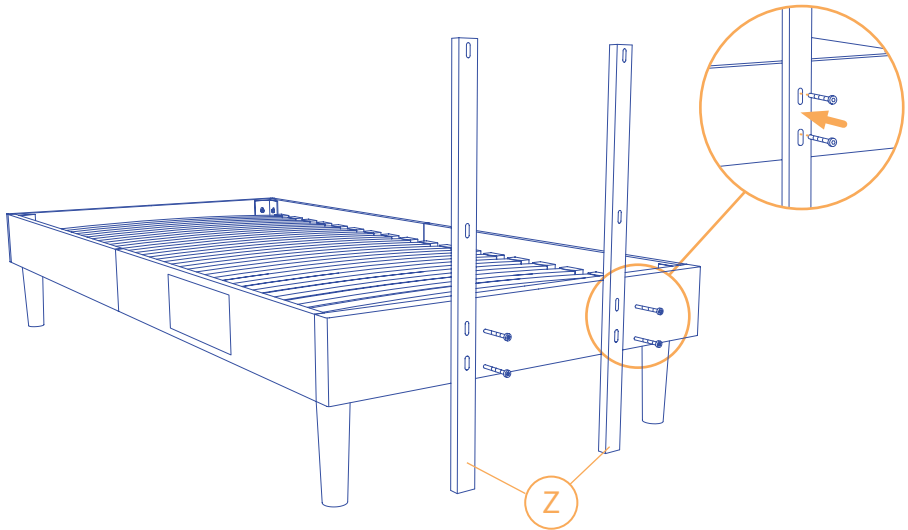
10



11

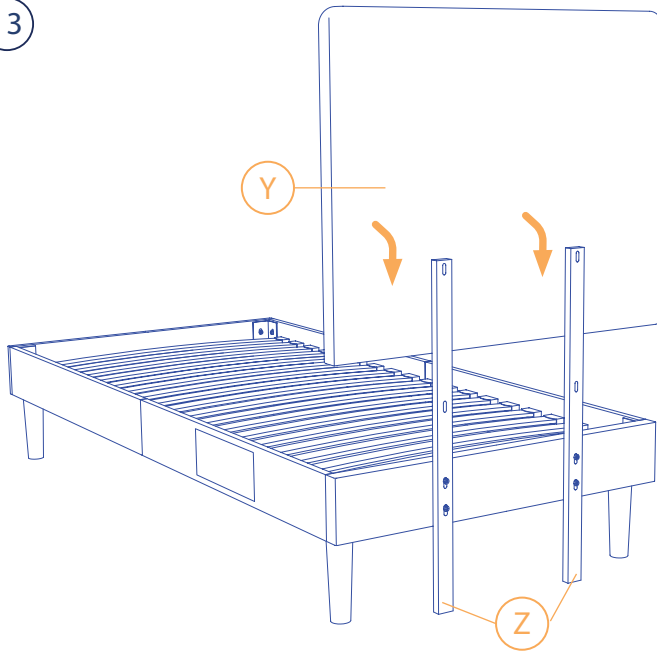


12 4x M8  
60mm 



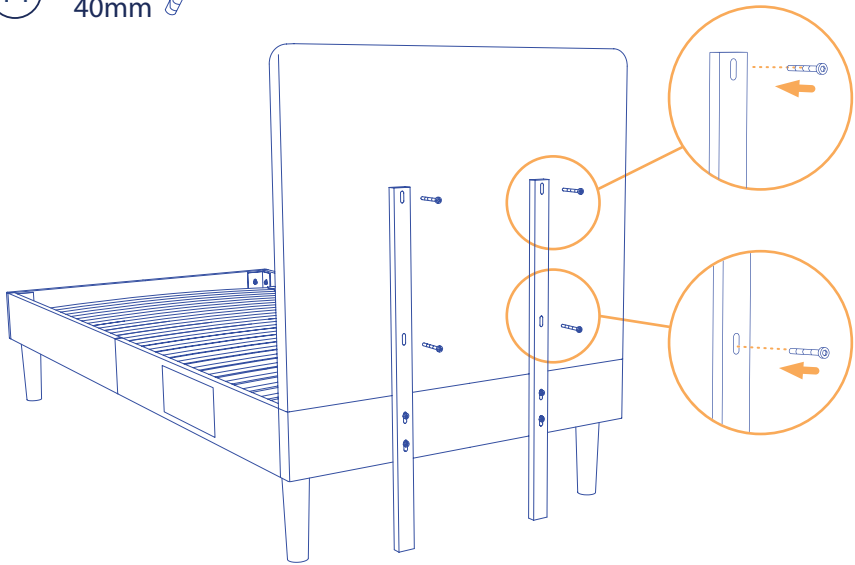


13

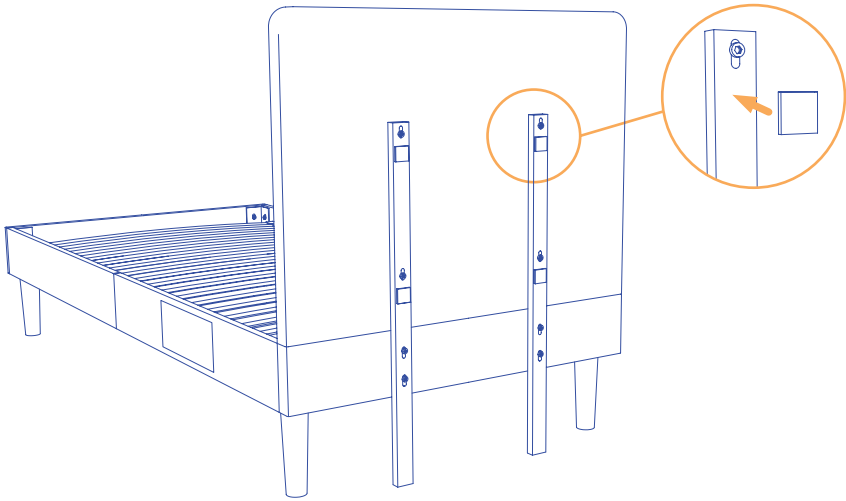


14

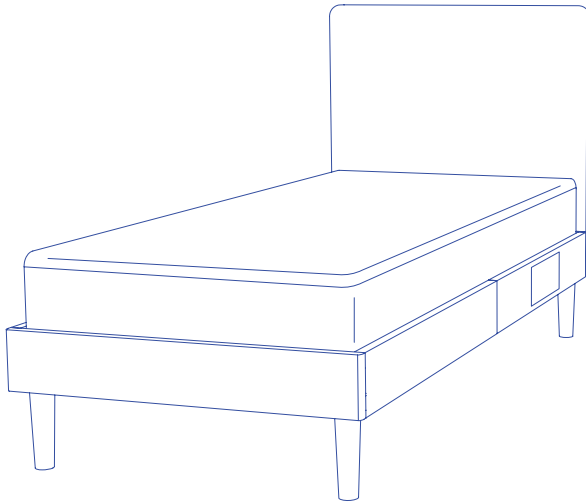
4x M8  
40mm



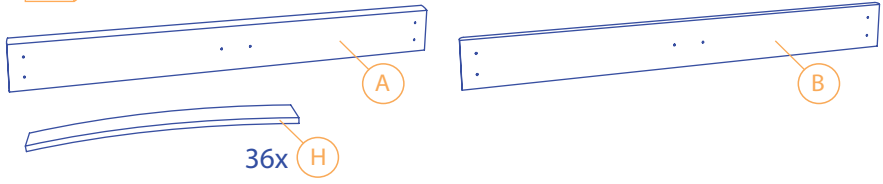
15



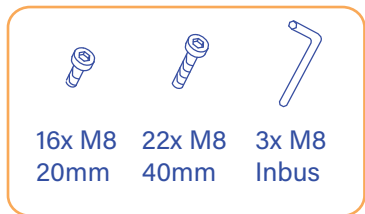
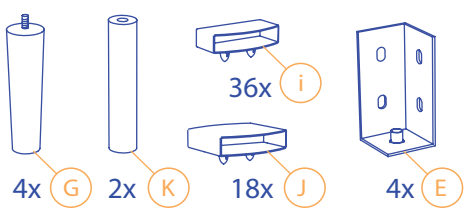
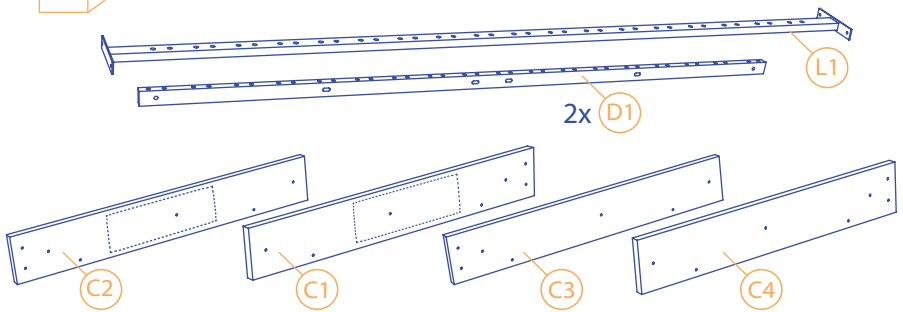
16



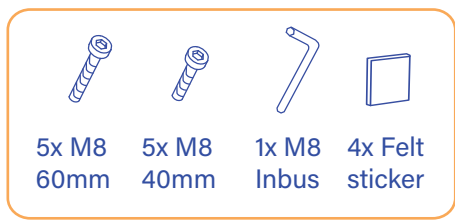
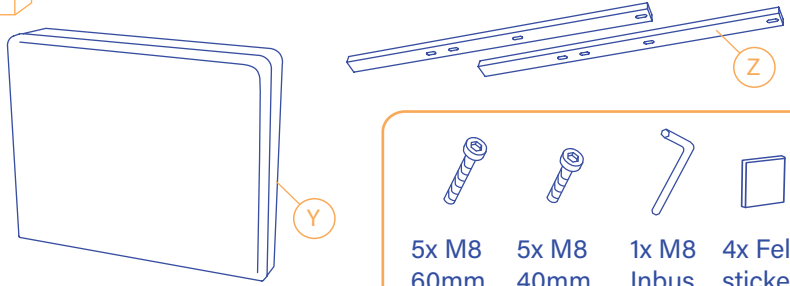
1



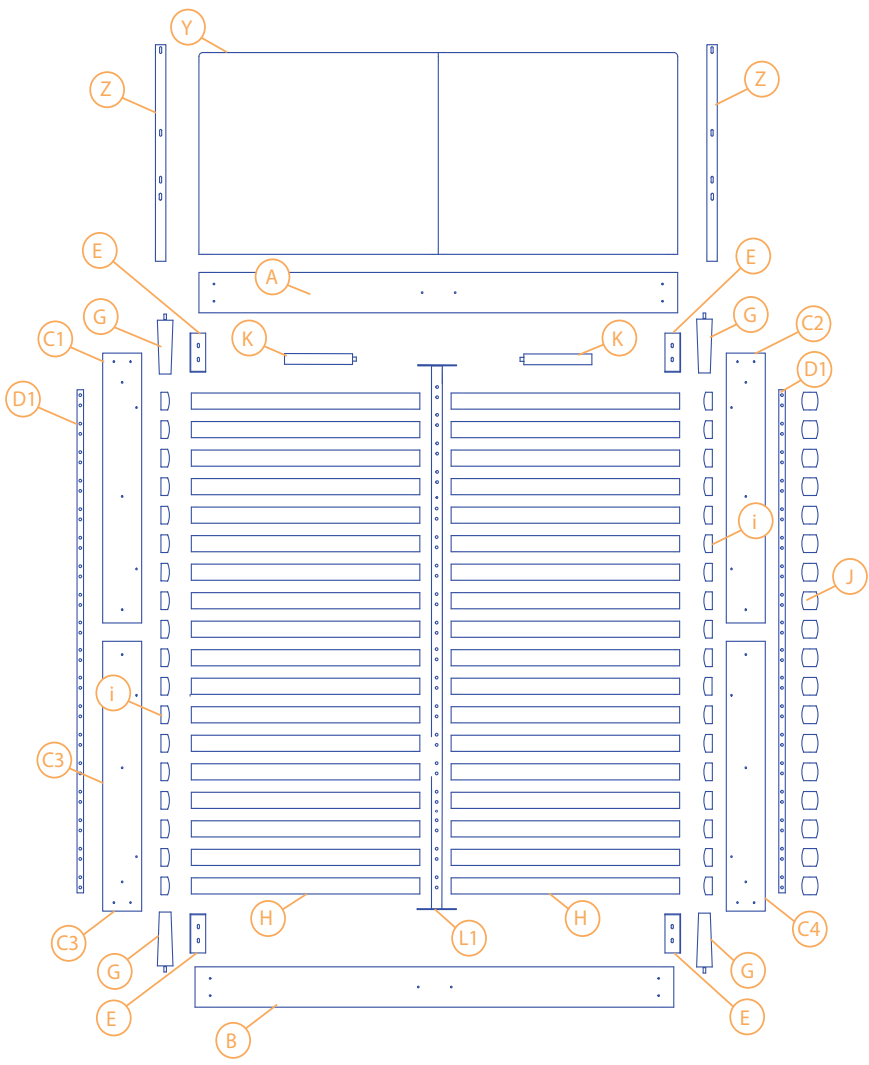
2



3

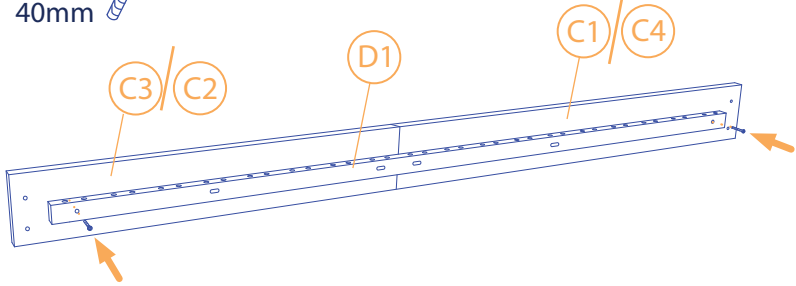


1

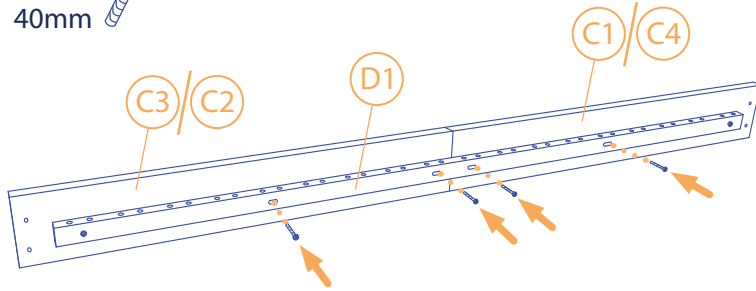


2x

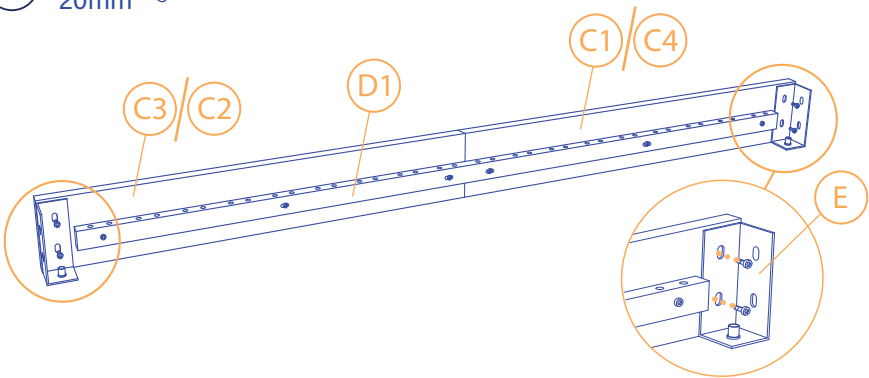
2 2x M8  
40mm 



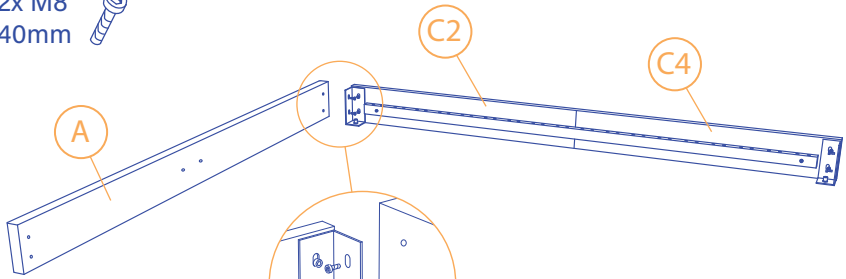
3 4x M8  
40mm 



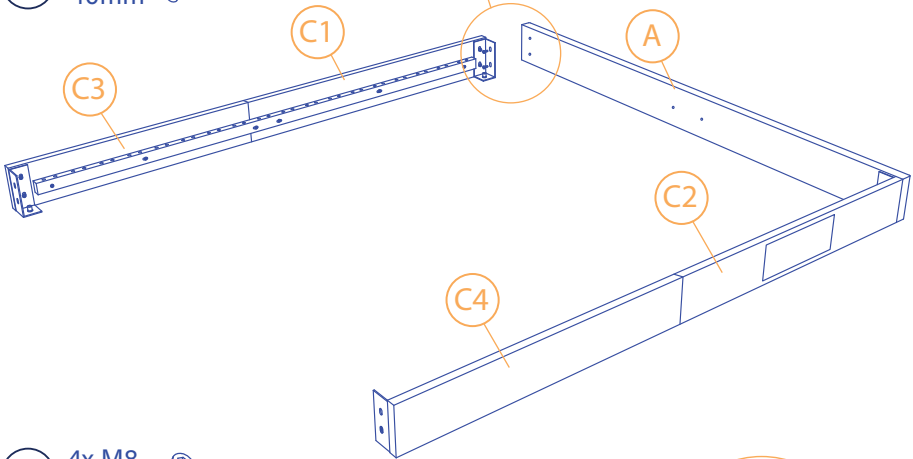
4 4x M8  
20mm 



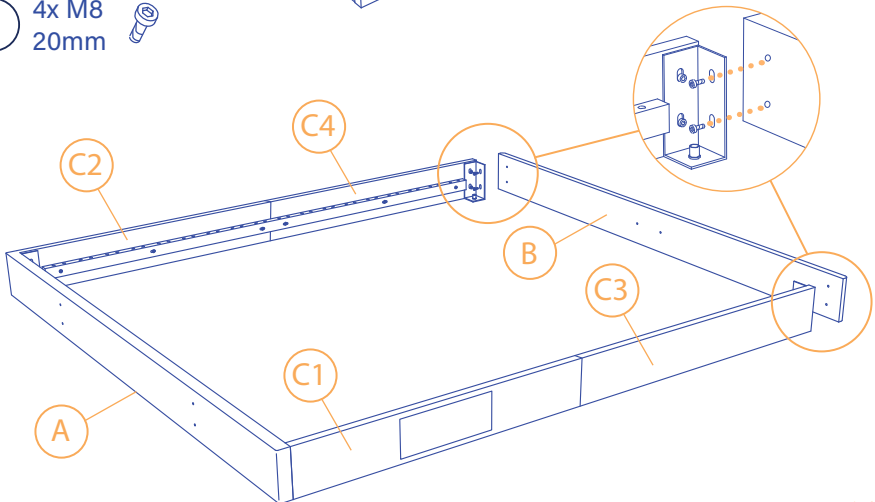
5 2x M8  
40mm 



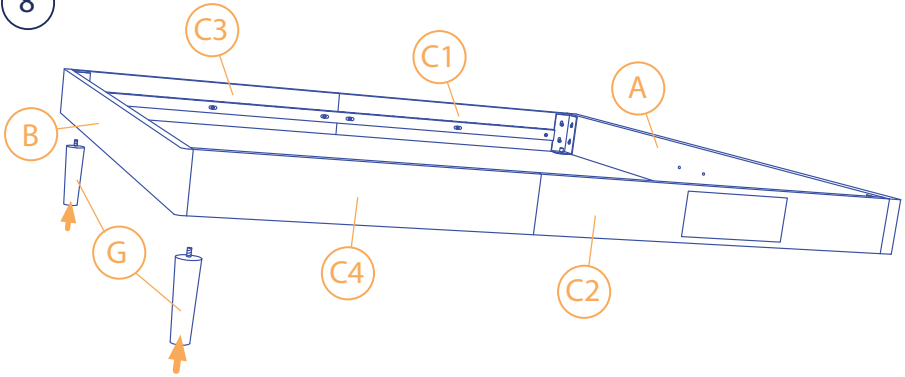
6 2x M8  
40mm 



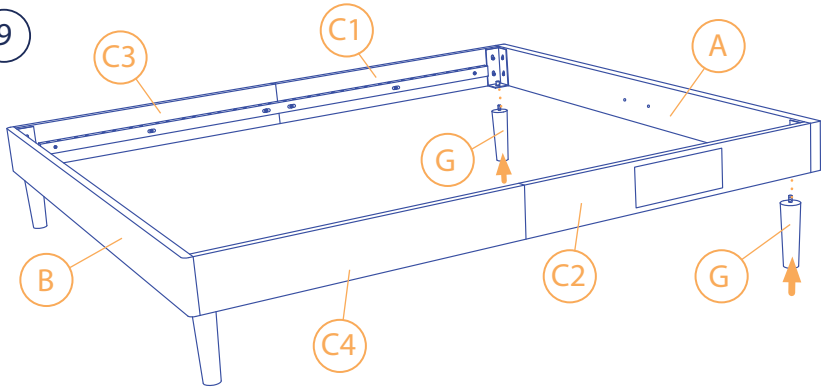
7 4x M8  
20mm 



8



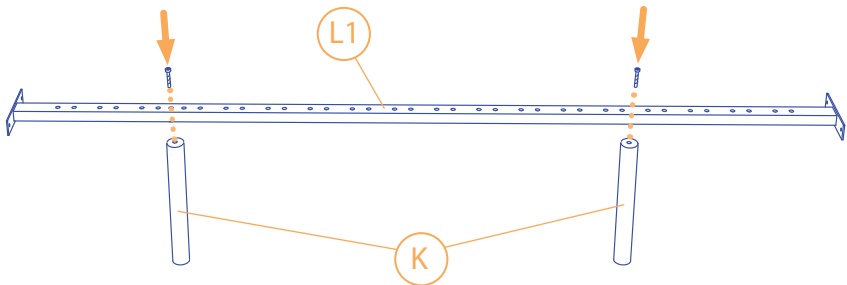
9



10

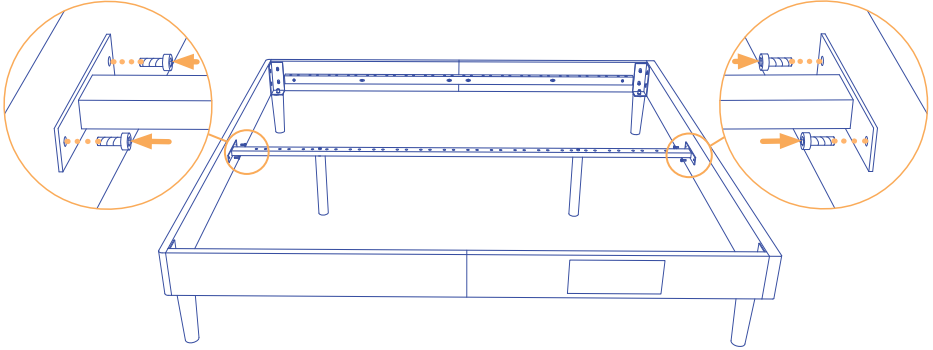
2x M8  
40mm 

提醒您，若您是購買183x212 尺寸的床架，請在安裝至步驟10時，將三個零件為K 的床腳安裝至零件為L1的支撐桿上。

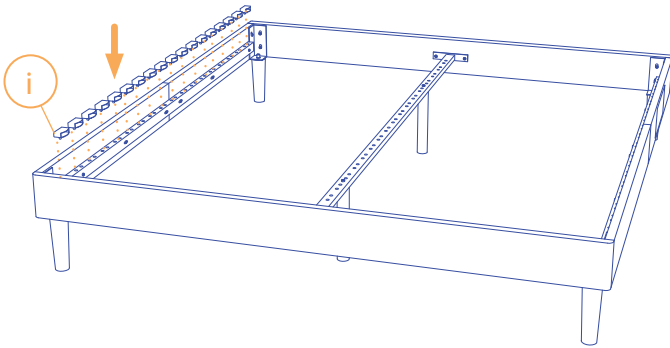


11 2x M8  
20mm

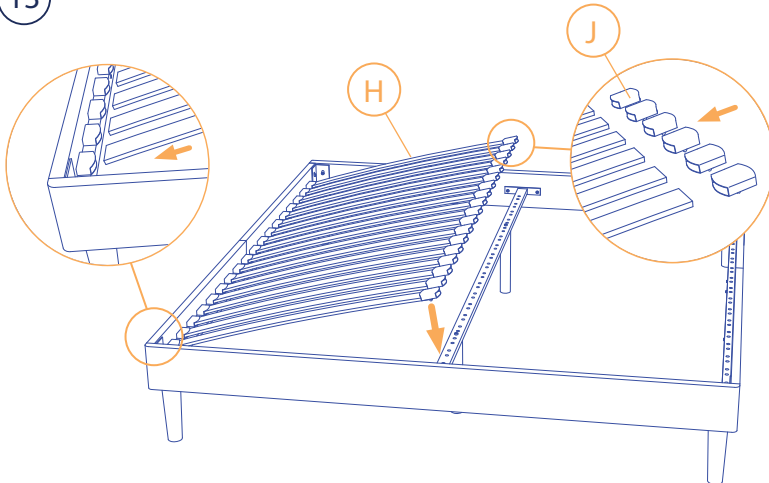
2x M8  
40mm



12

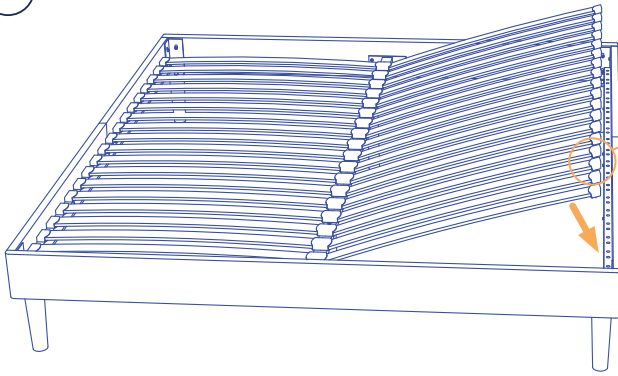


13

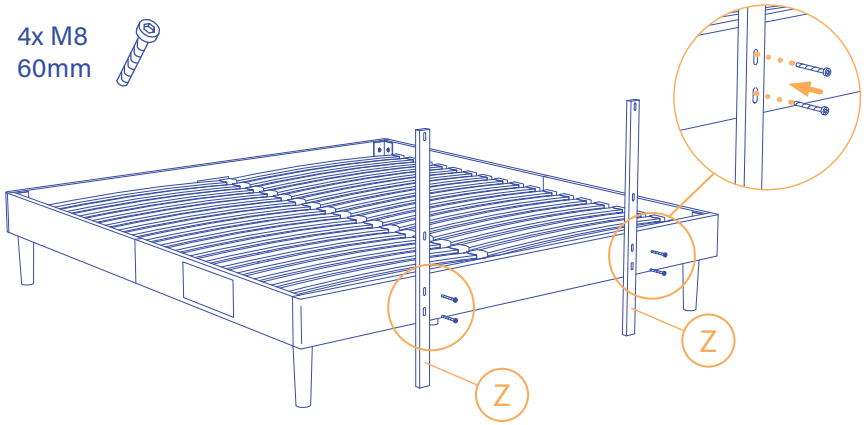




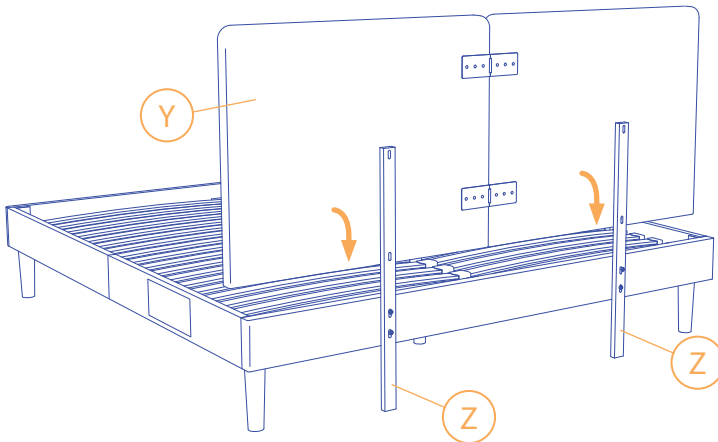
14



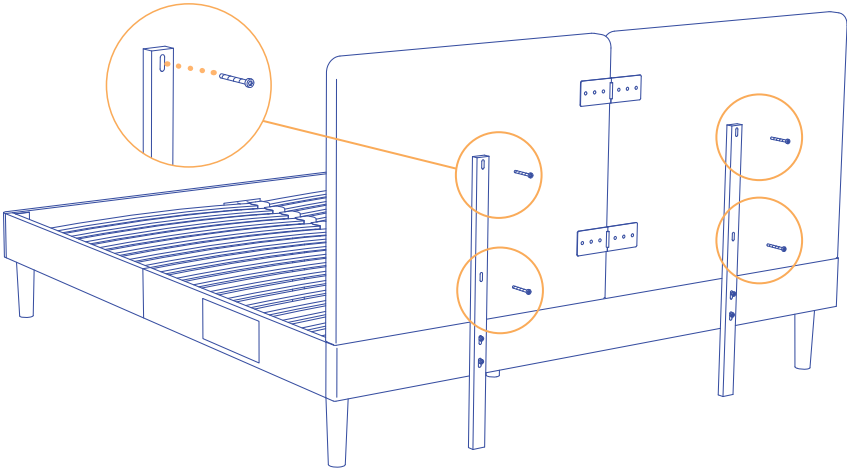
15 4x M8  
60mm



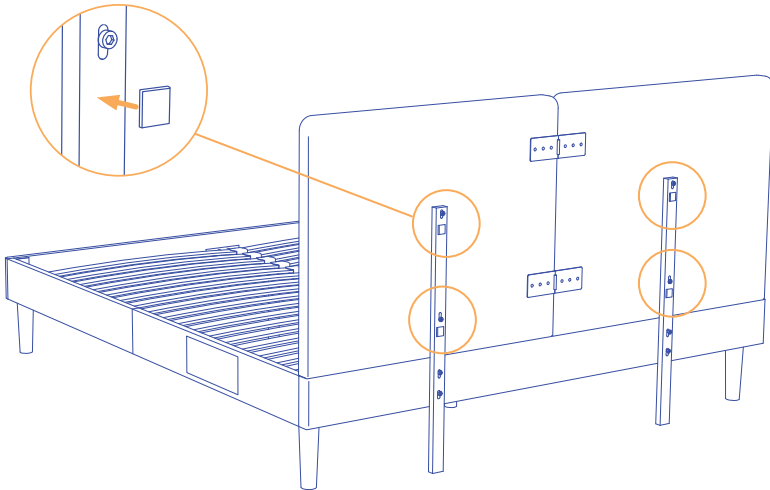
16

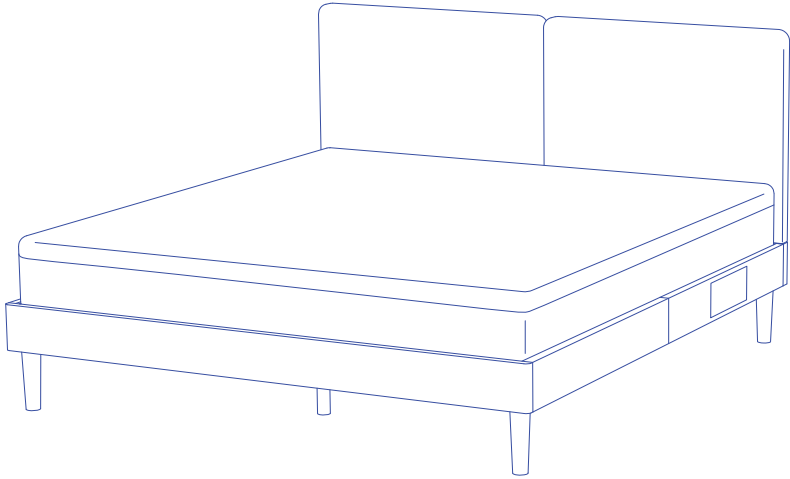


17 4x M8  
40mm 



18





**Emma**<sup>®</sup>

Emma Matratzen GmbH  
Wilhem-Leuschner-Straße 78  
60329 Frankfurt am Main