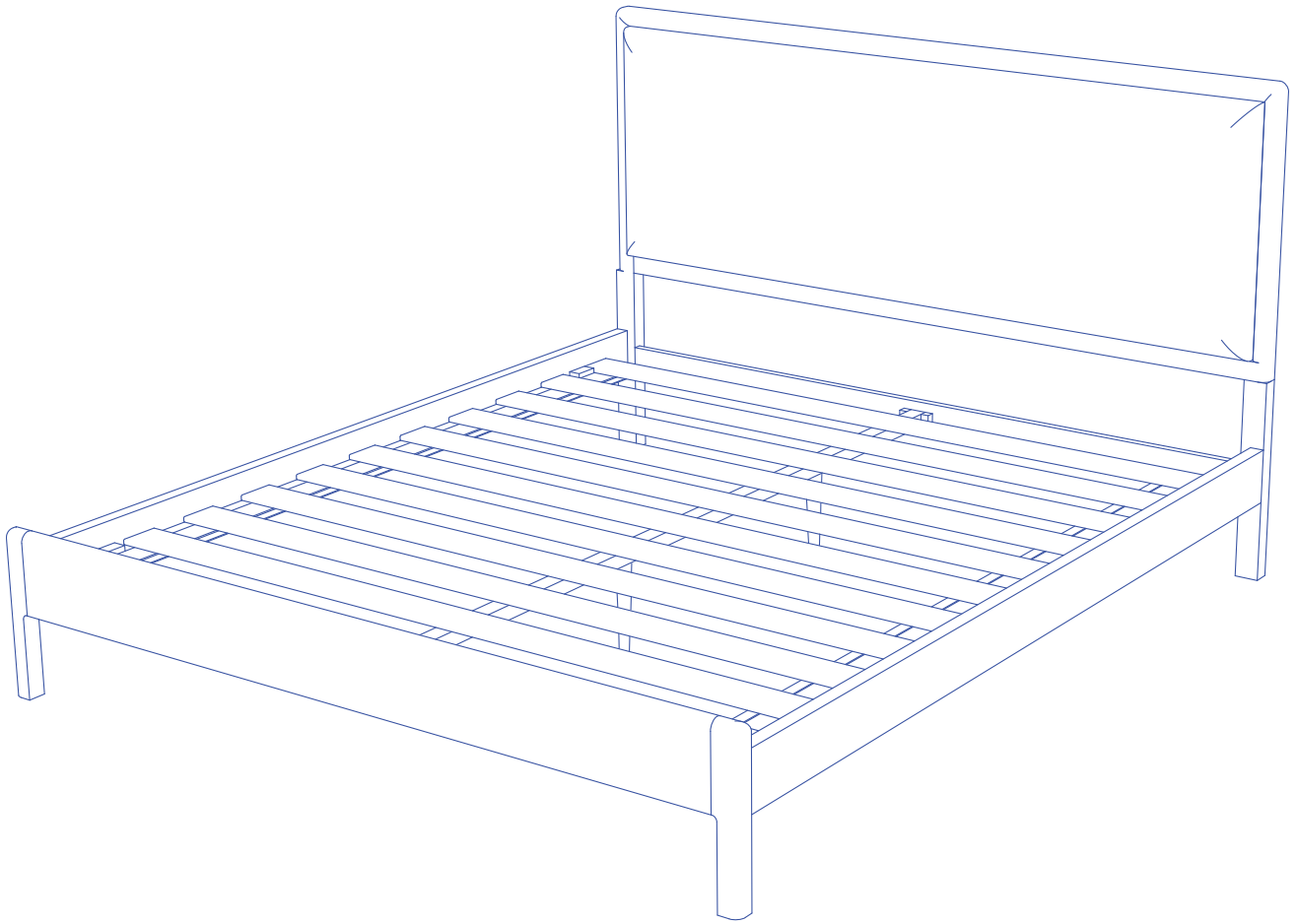
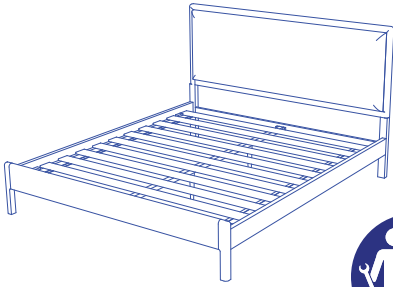
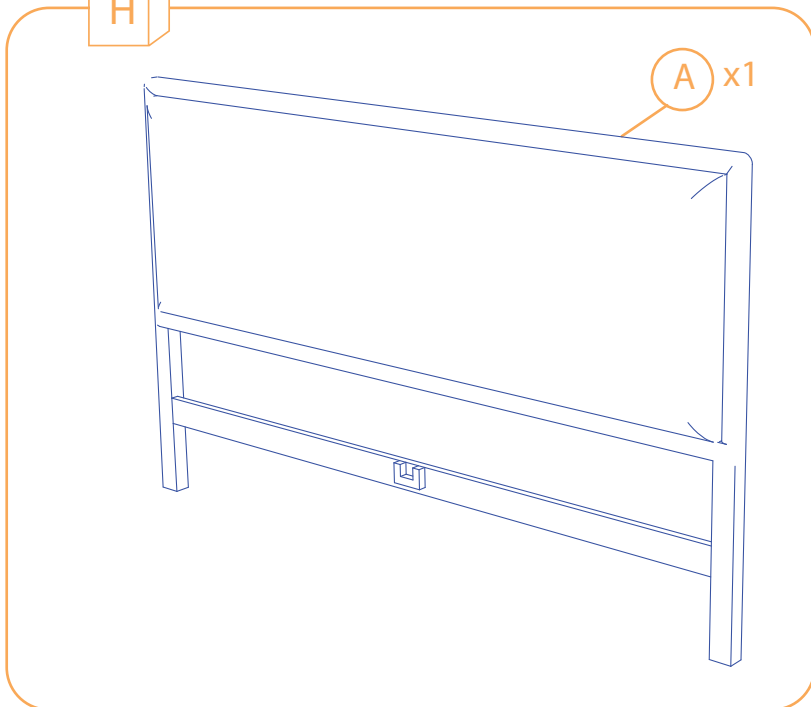
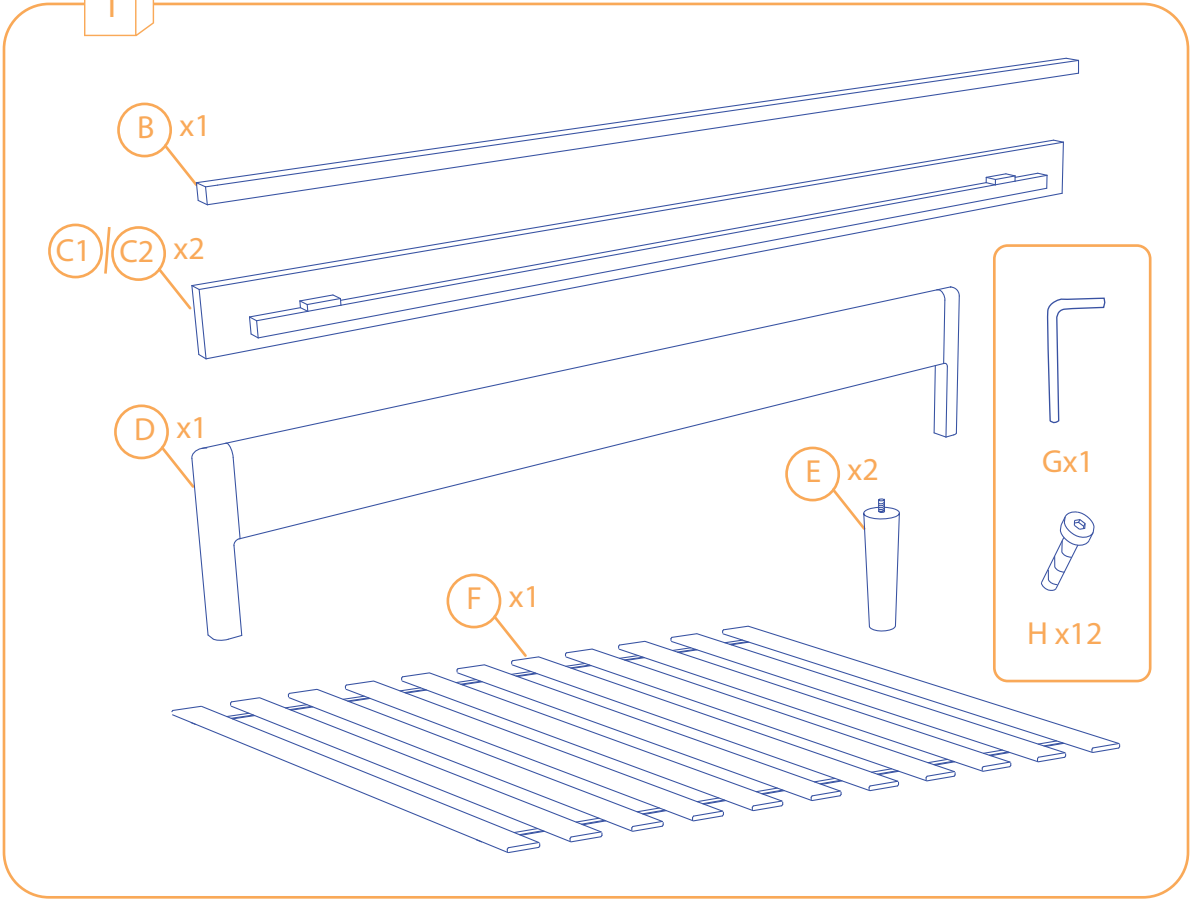


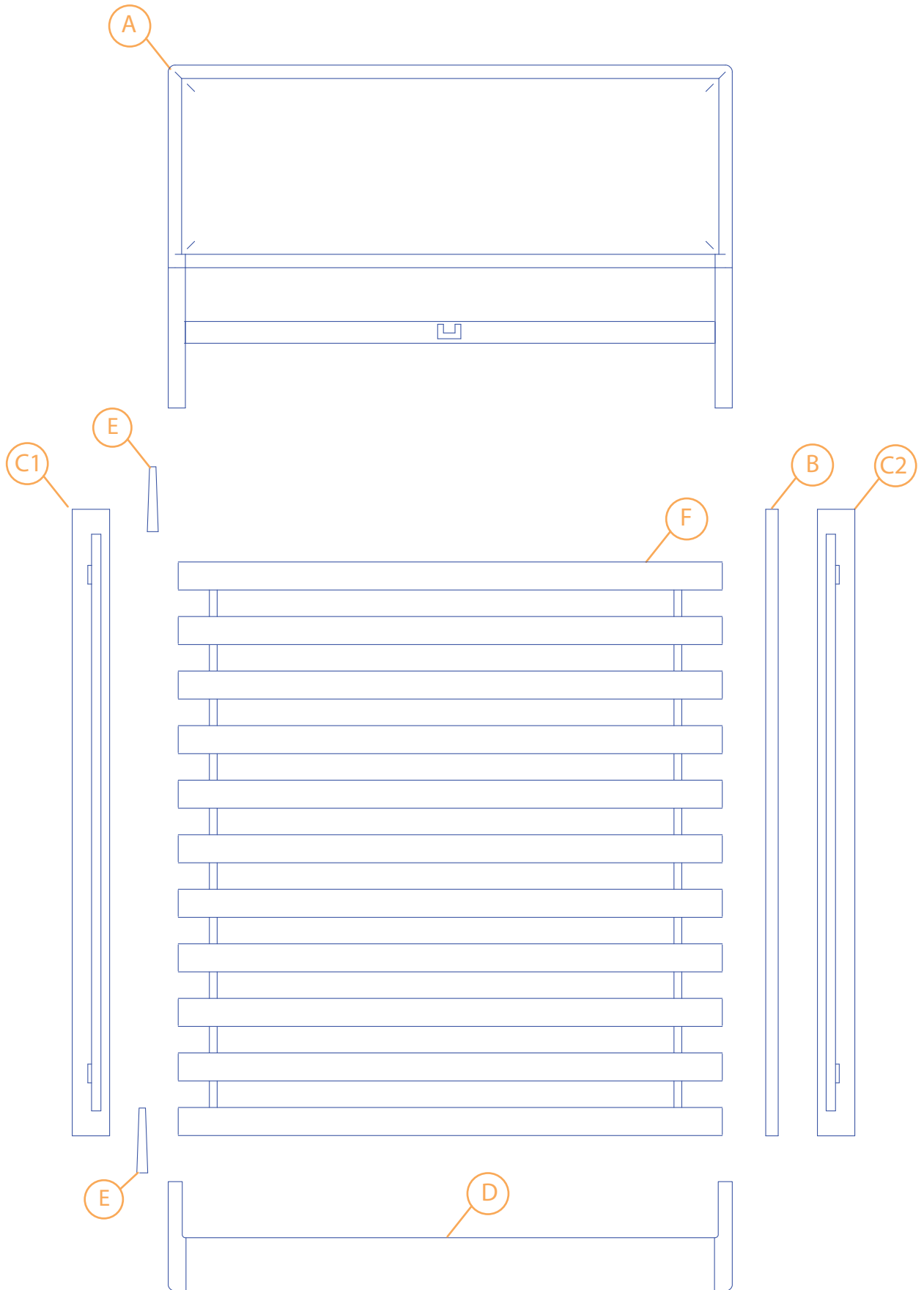
Emma®





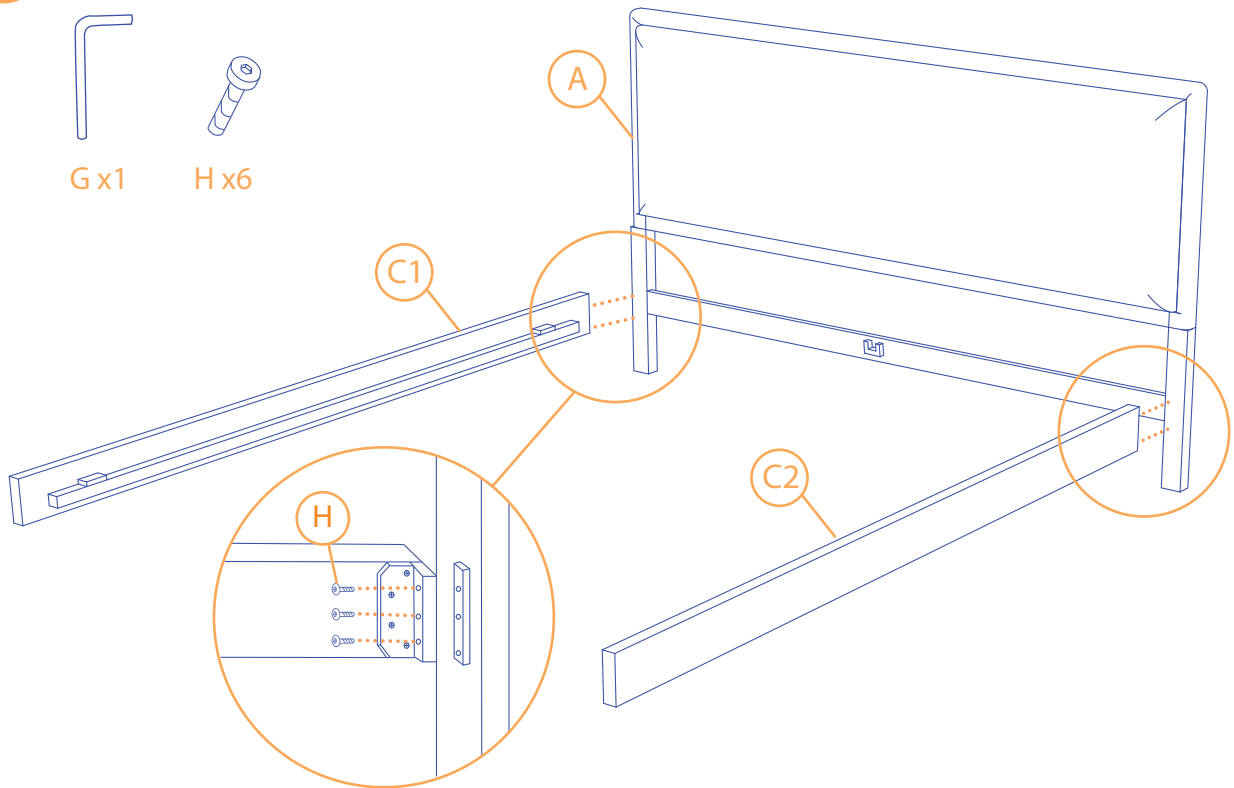
90 x 190 cm | 122 x 190 cm | 137 x 190 cm
150 x 190 cm | 150 x 200 cm | 180 x 190 cm | 180 x 200 cm



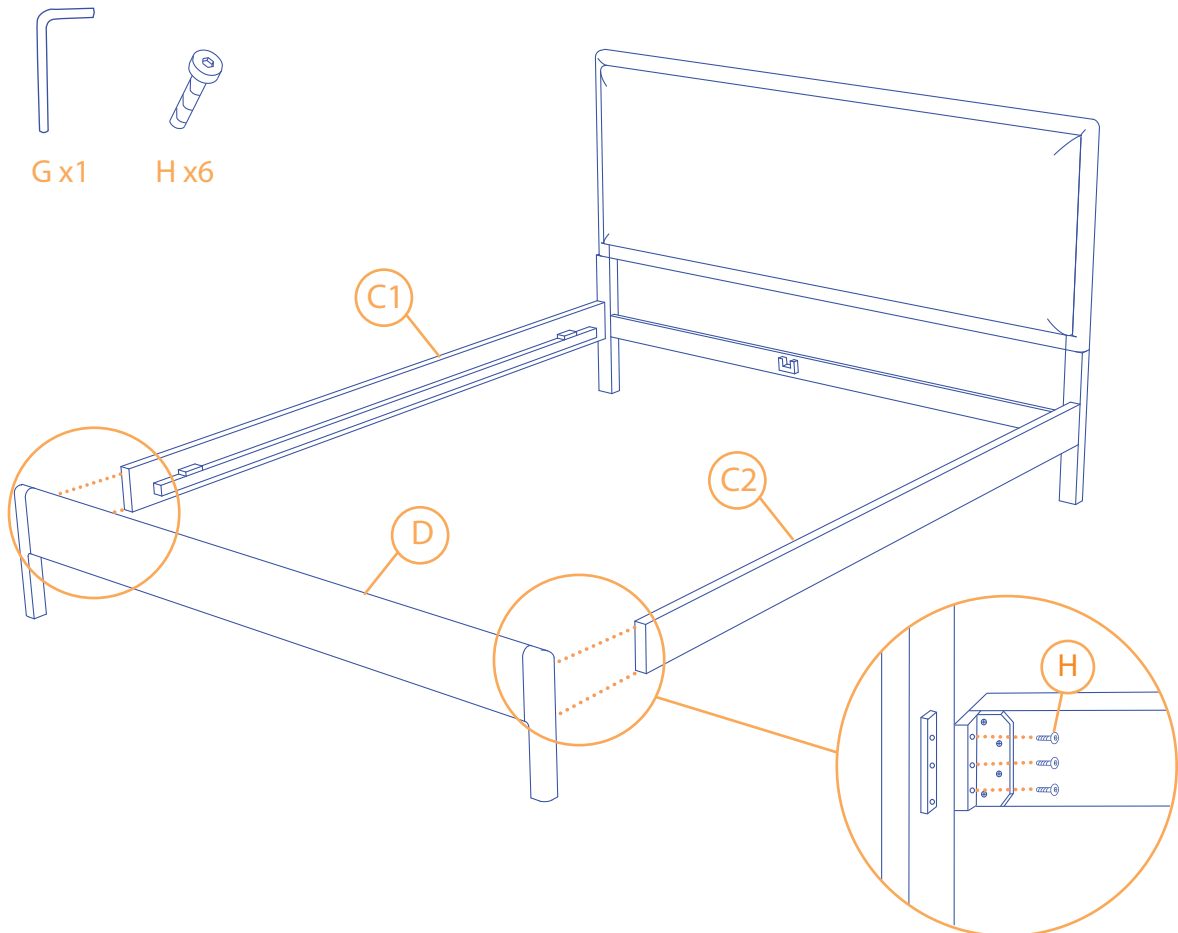




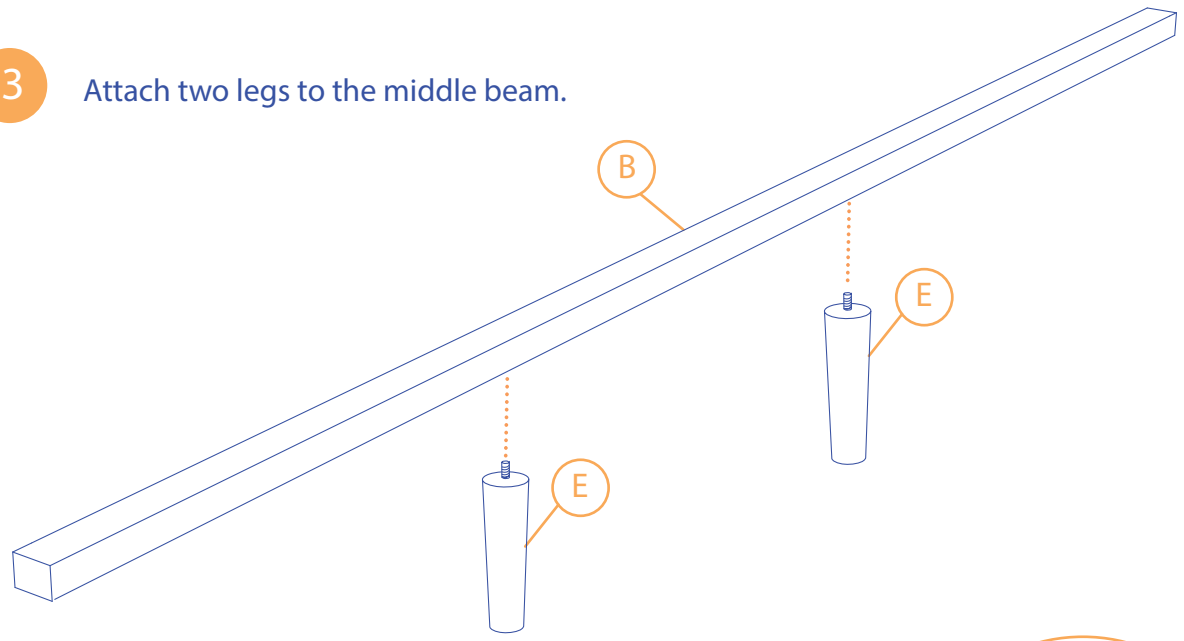
1 Lay out all the parts. Align side rails with headboard, then screw bolts in with allen key.



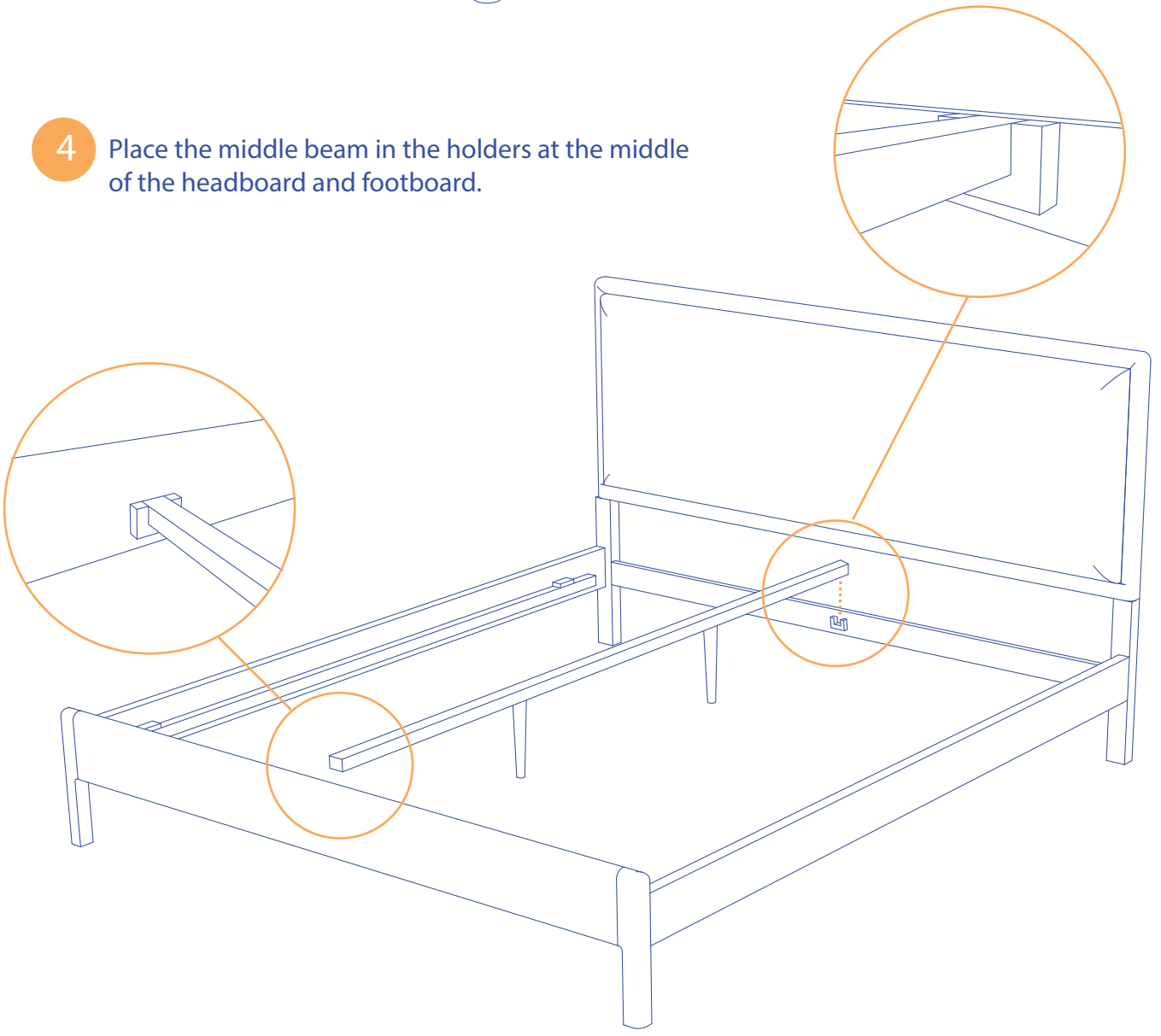
2 Align side rails with footboard, then screw bolts in as well.



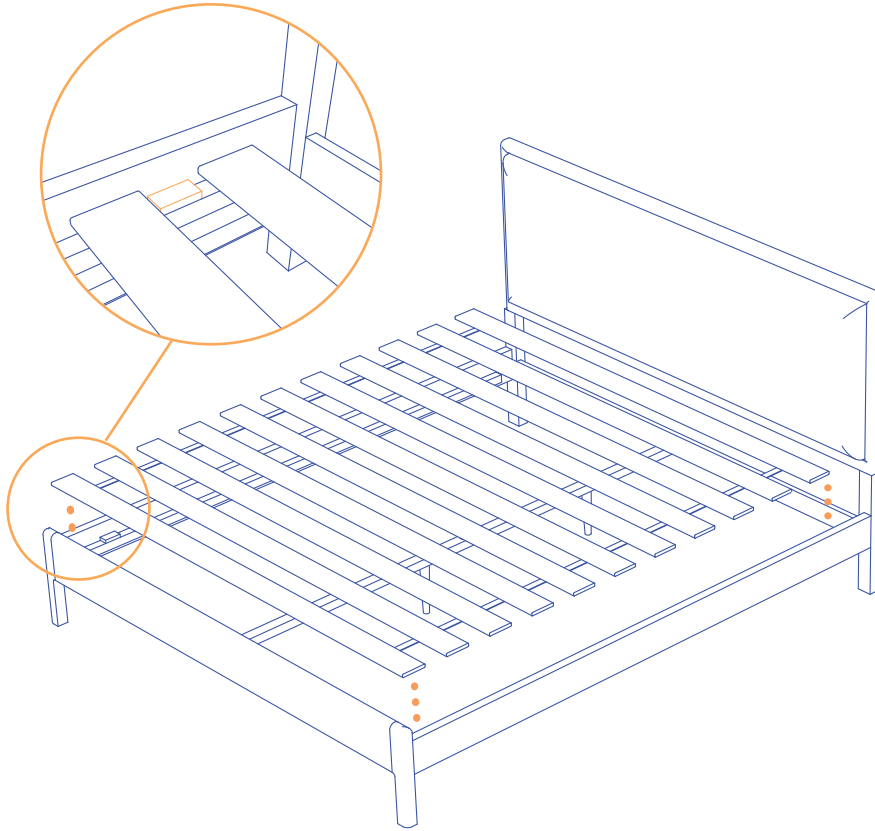
3 Attach two legs to the middle beam.



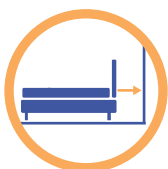
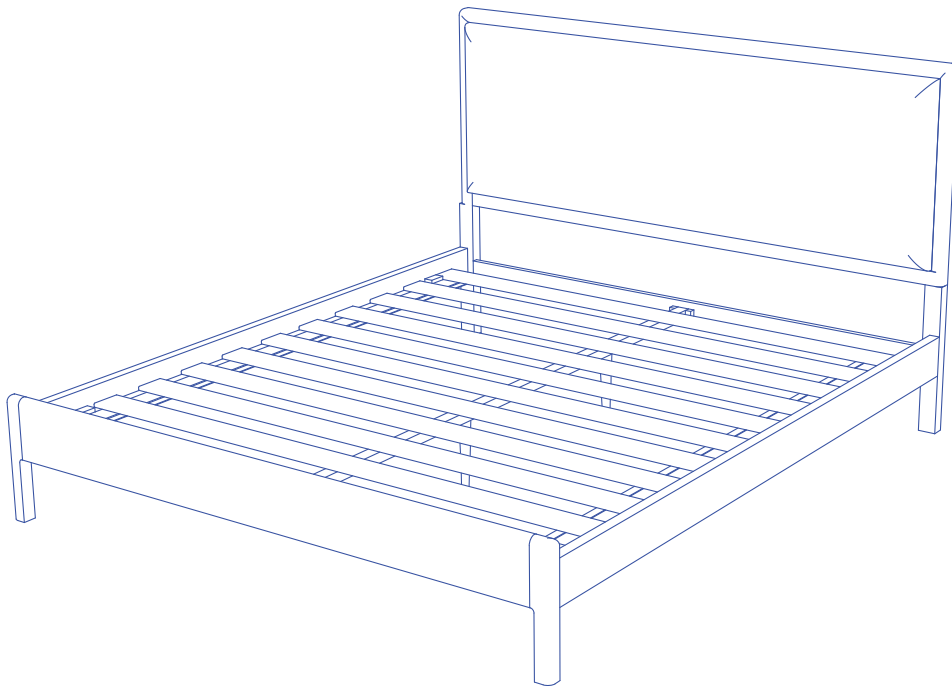
4 Place the middle beam in the holders at the middle of the headboard and footboard.



- 5 Roll out the slats onto the frame. There are stoppers at the four corners of the frame to help keep the slats in place.



- 6 Place your mattress onto your new Emma Wooden Bed.



Emma®

Emma Matratzen GmbH
Wilhem-Leuschner-Straße 78
60329 Frankfurt am Main