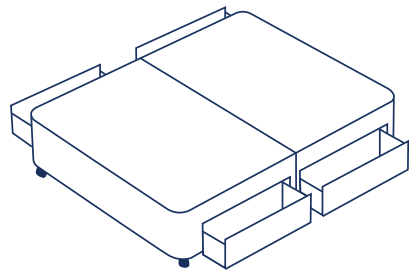
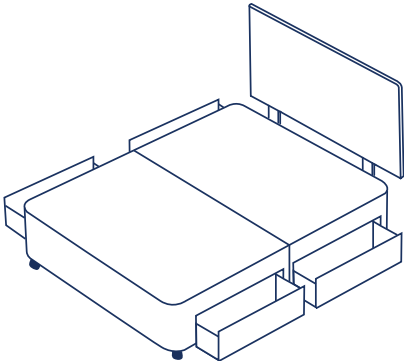
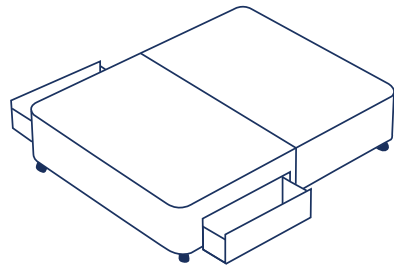
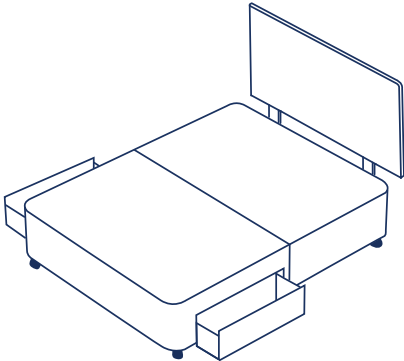
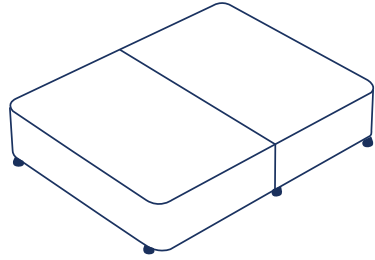
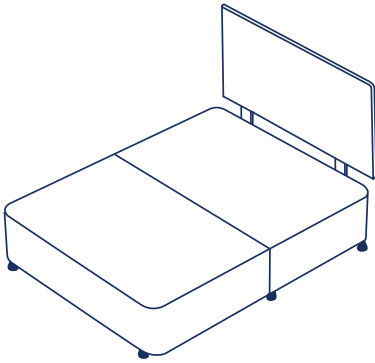


Emma®



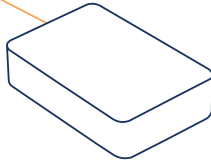


135x190 | 150x200 | 180x200



I

A 2x

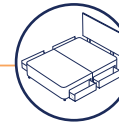
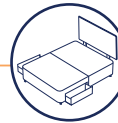
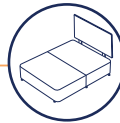
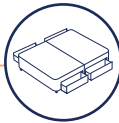
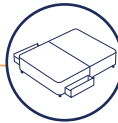
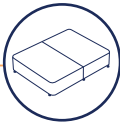


B

8x

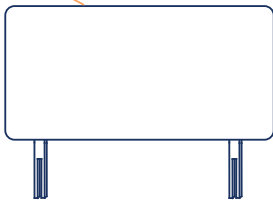


C 2x



II

E 1x



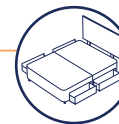
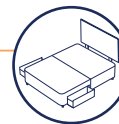
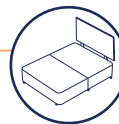
F 2x

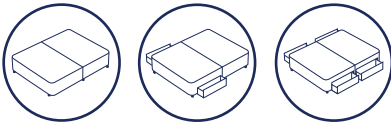


G 4x

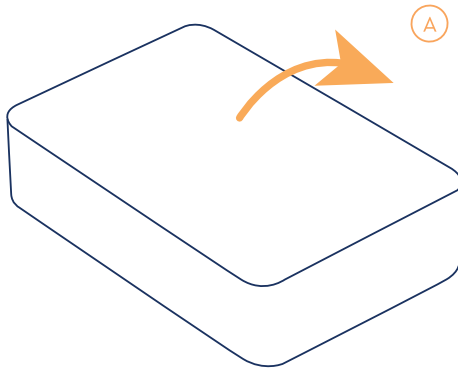


H 4x

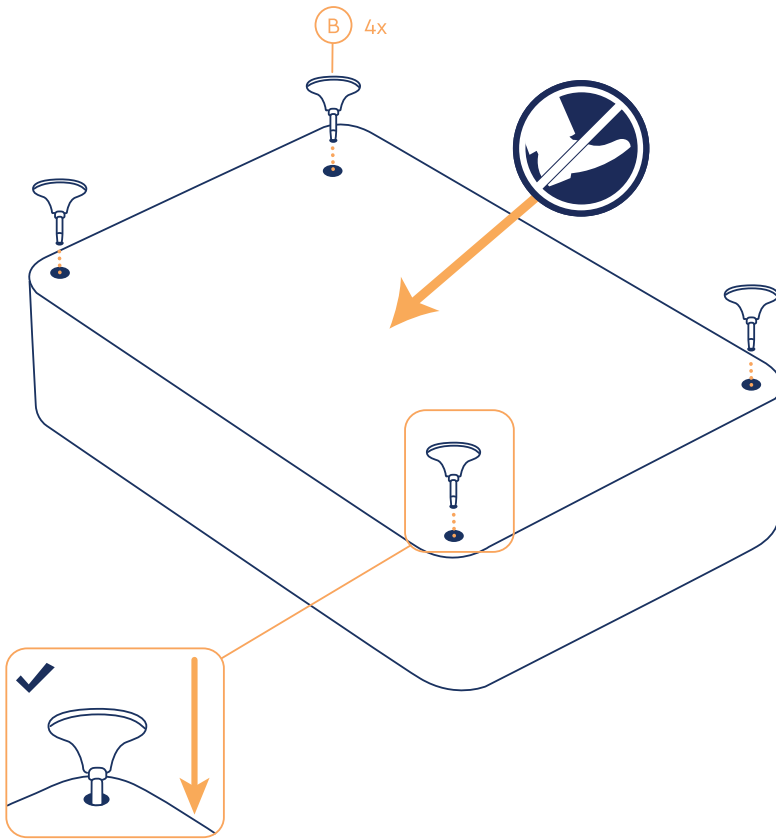




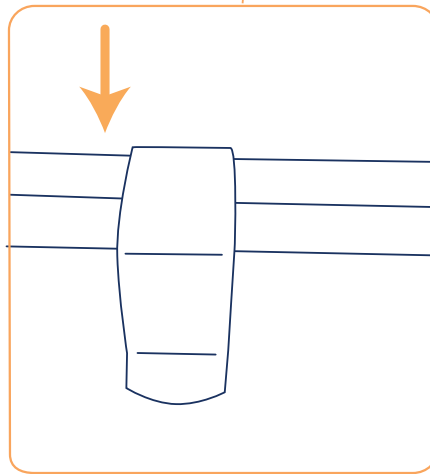
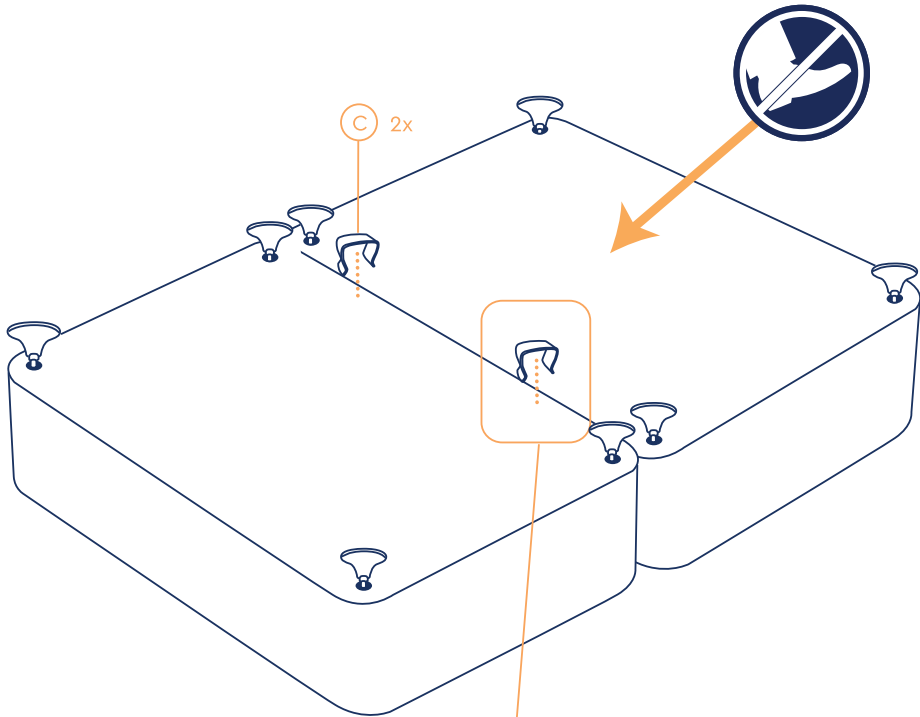
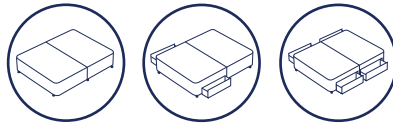
1



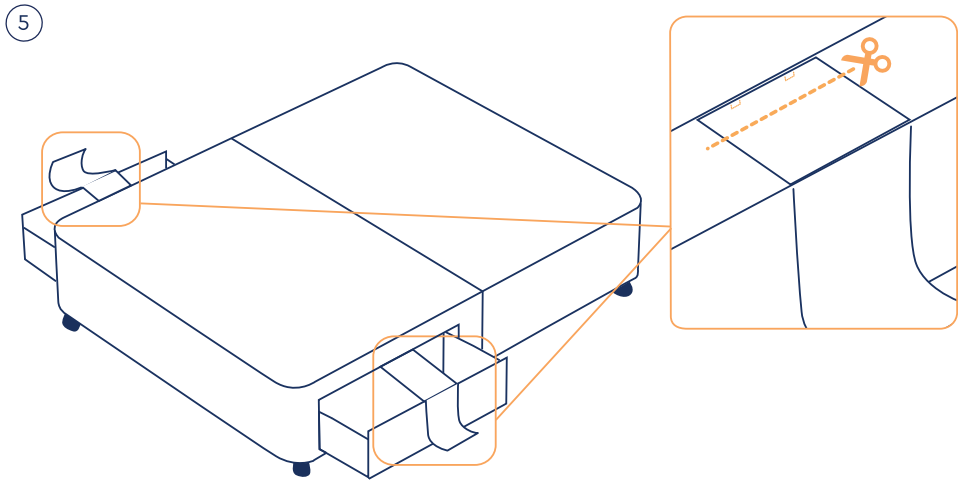
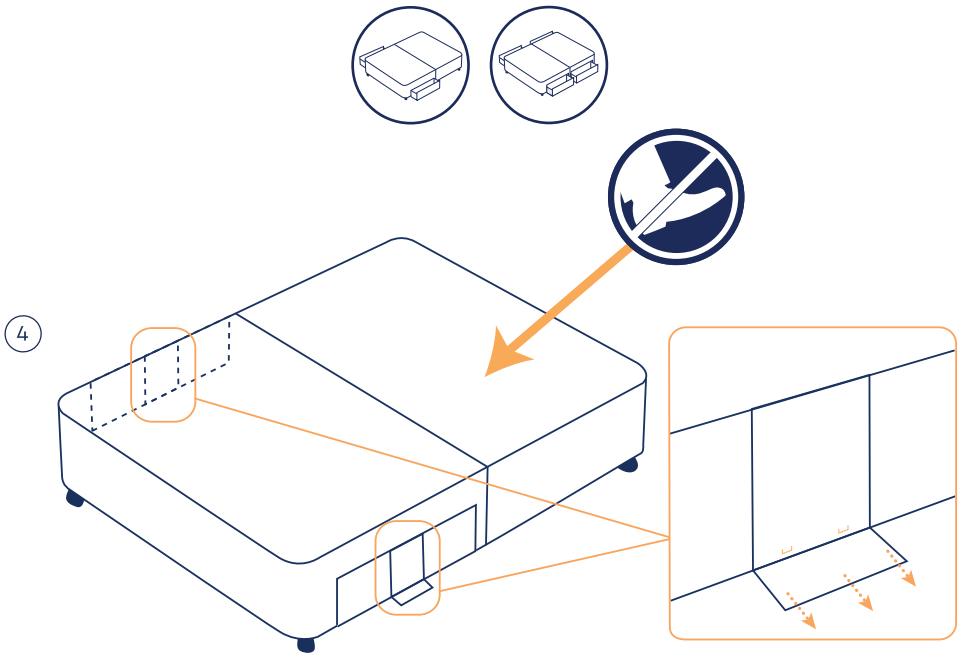
2

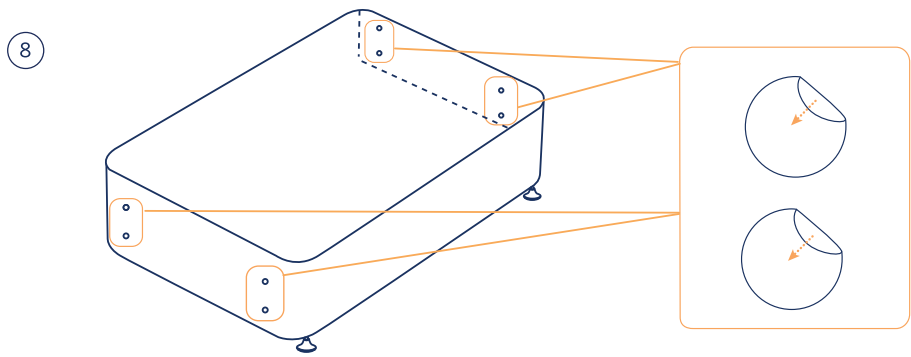
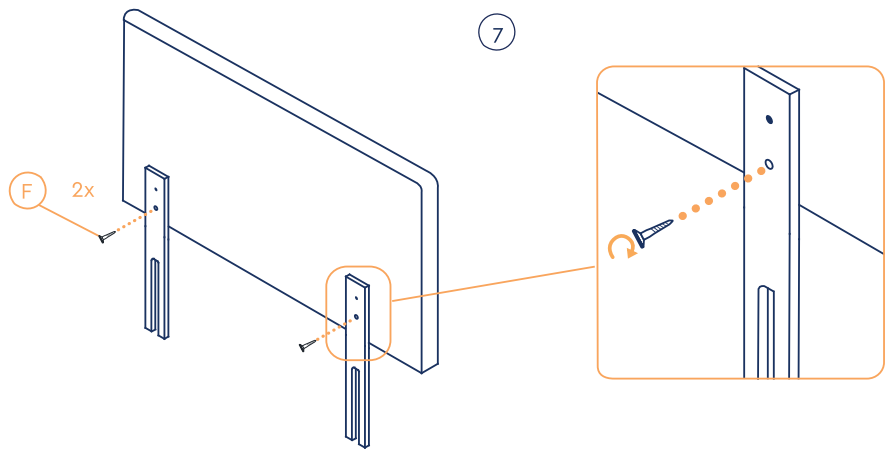
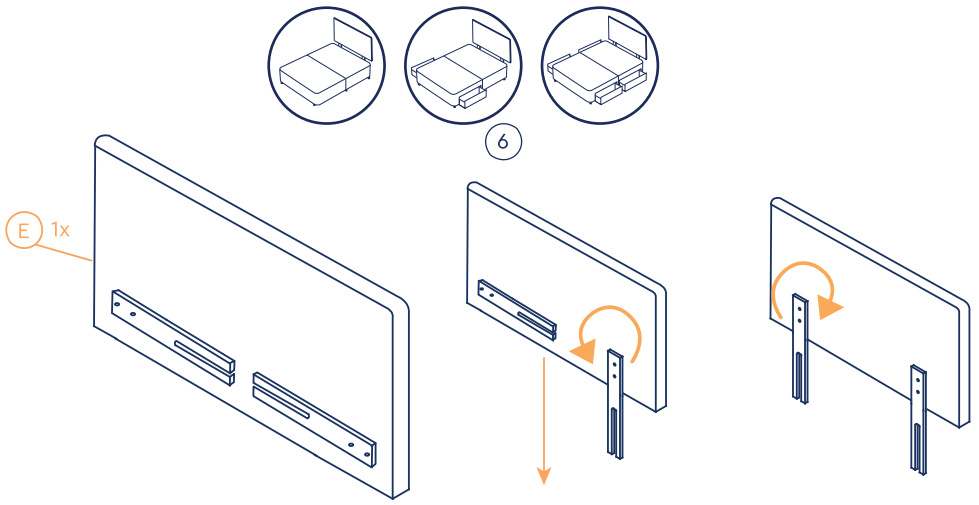


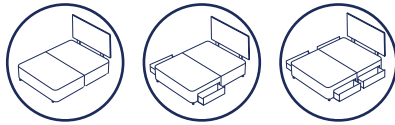
3



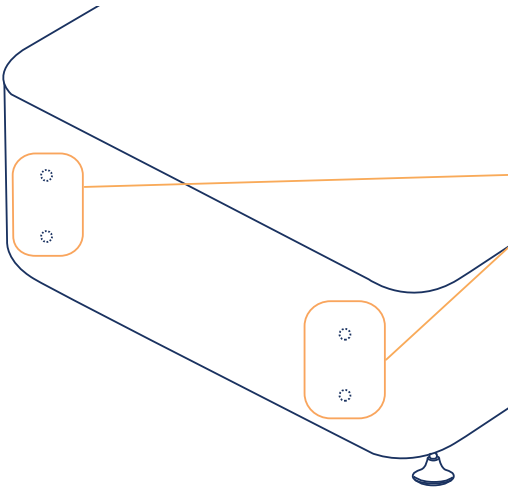
4





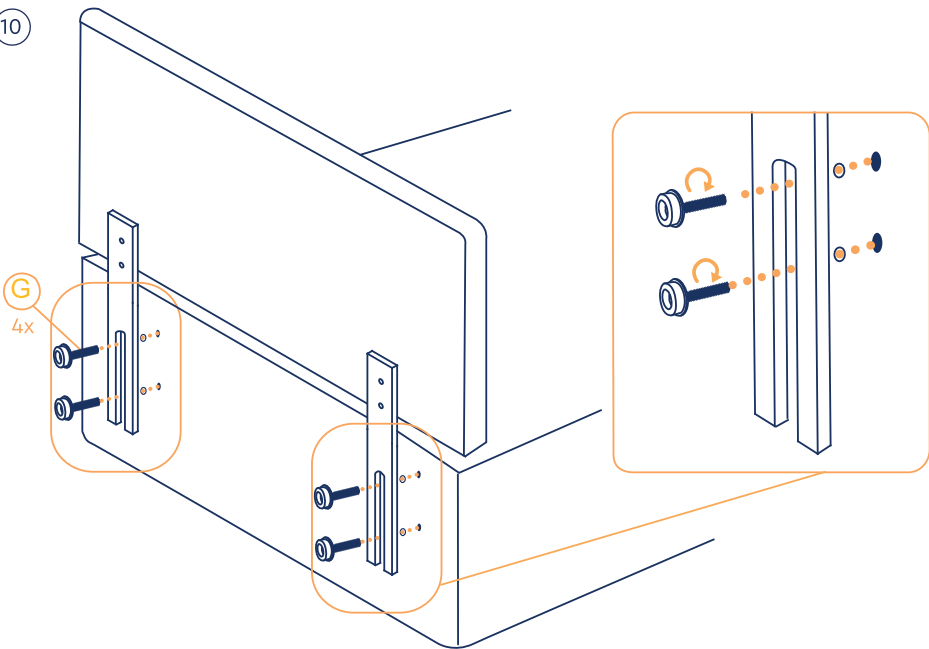


9



Pierce fabric with headboard bolt onto the side that you want the headboard attached to.

10



G
4x

Emma®