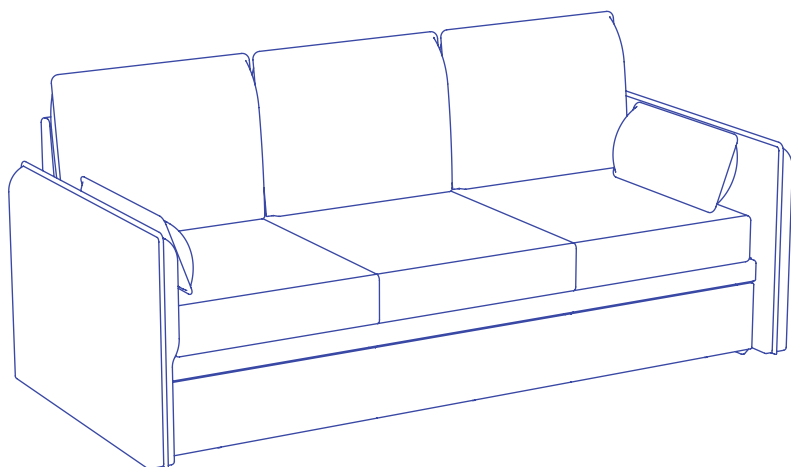
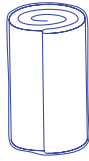
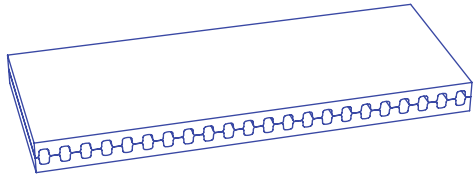


Emma®



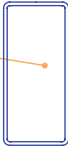


= x2

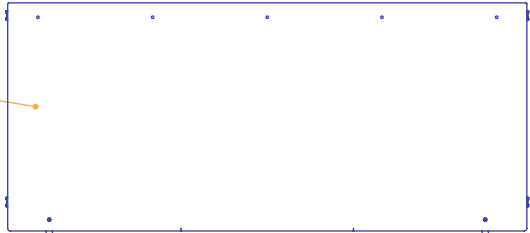


J

x2

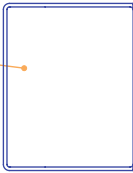


B

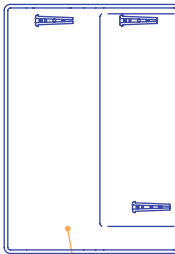
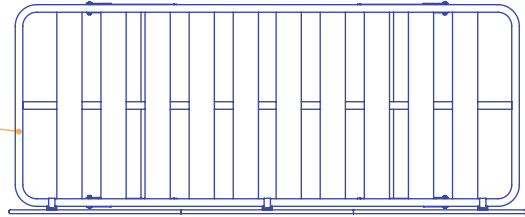


I

x3



F

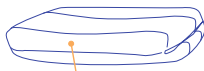


D

x2



S



E

x2

Y



5x M8x100mm

W



Inbus 5mm

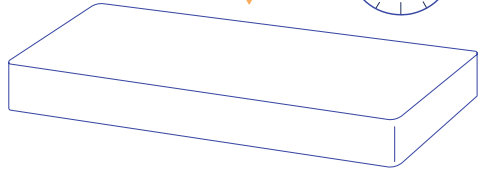
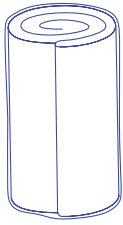
Z



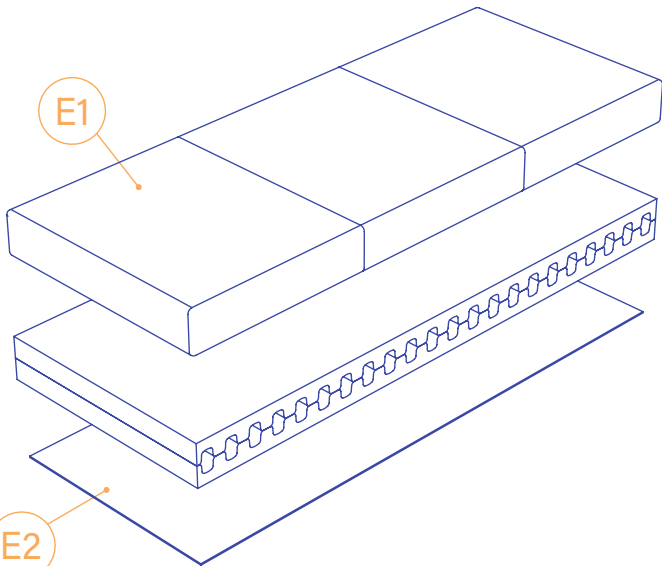
5x M8 Washer

1

2x



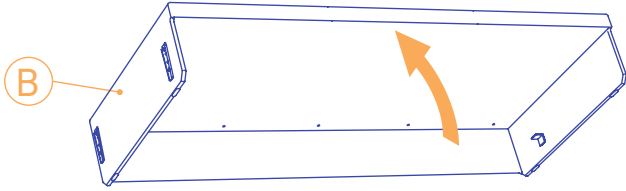
2 2x



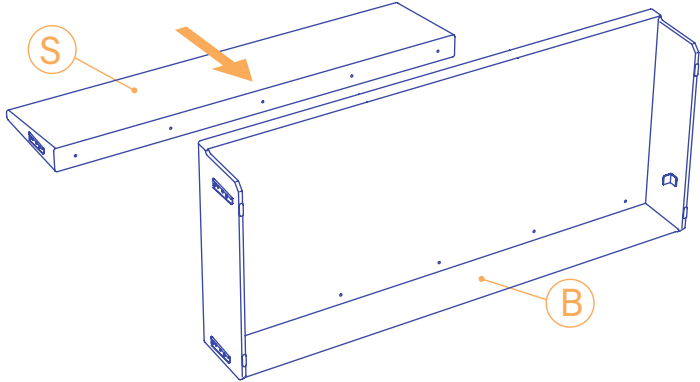
$$E = E1 + E2$$



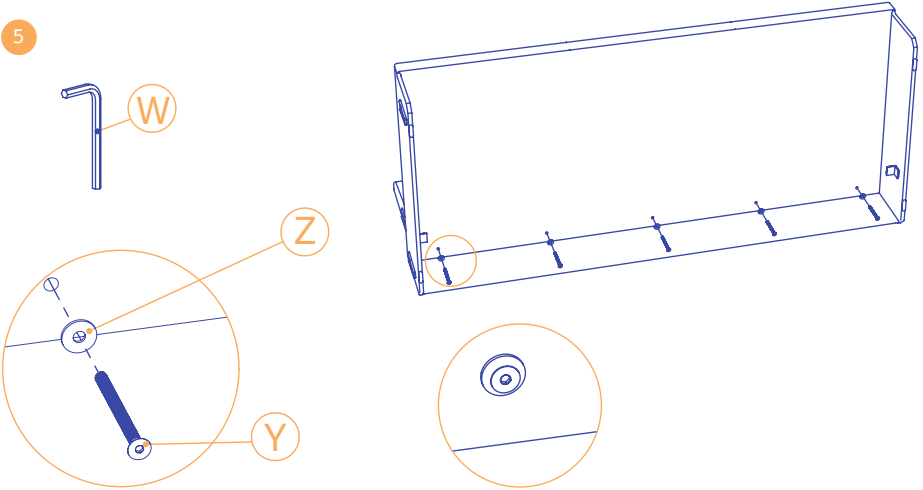
3



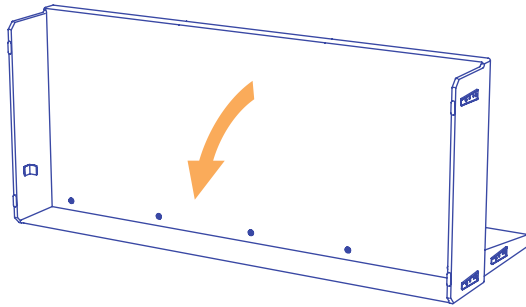
4



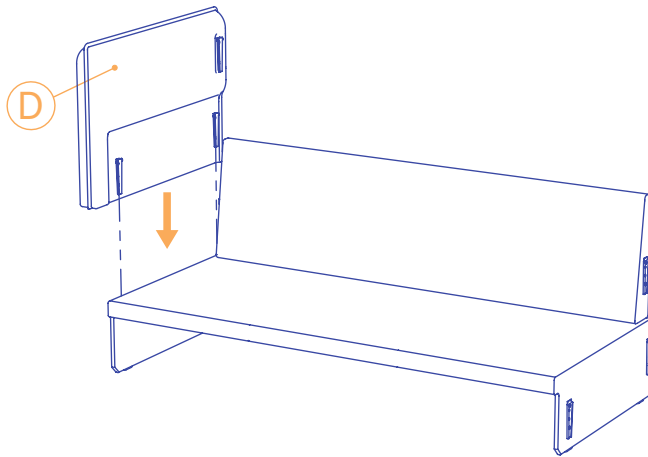
5



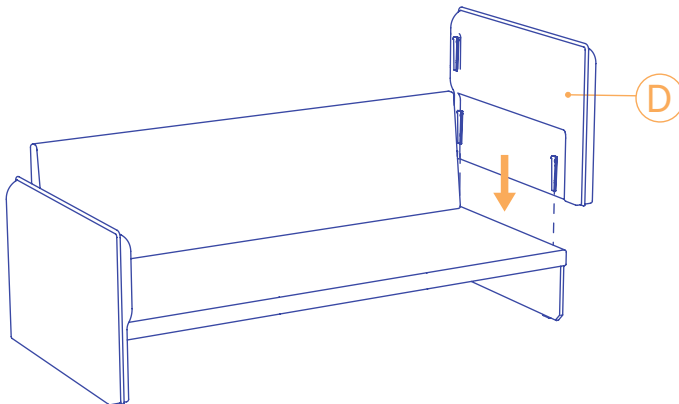
6



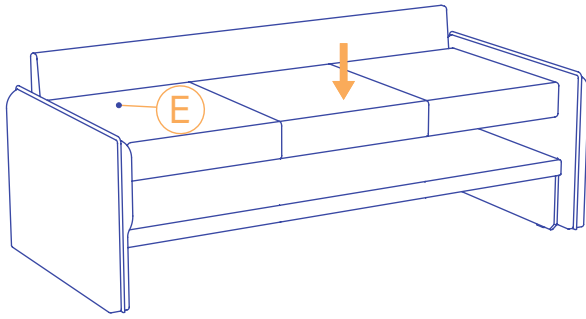
7



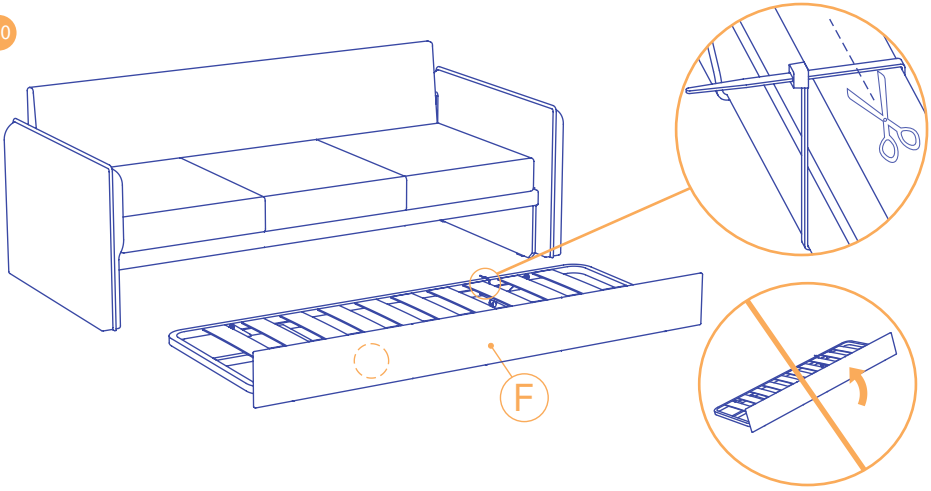
8



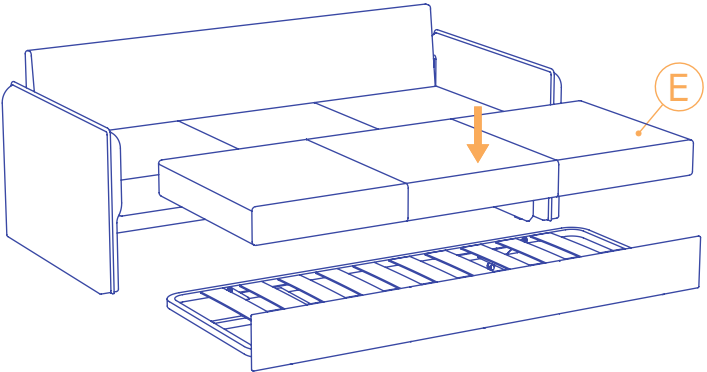
9



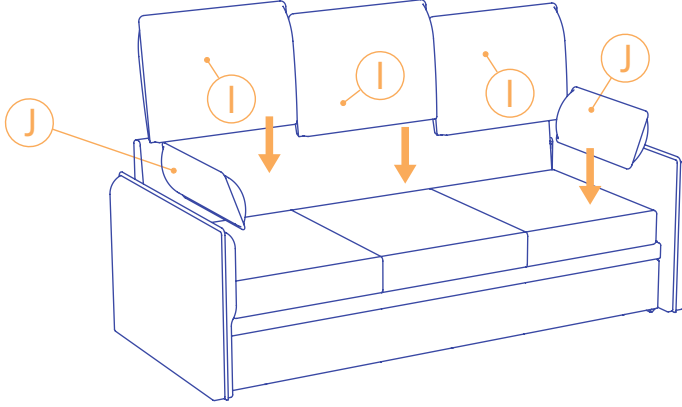
10



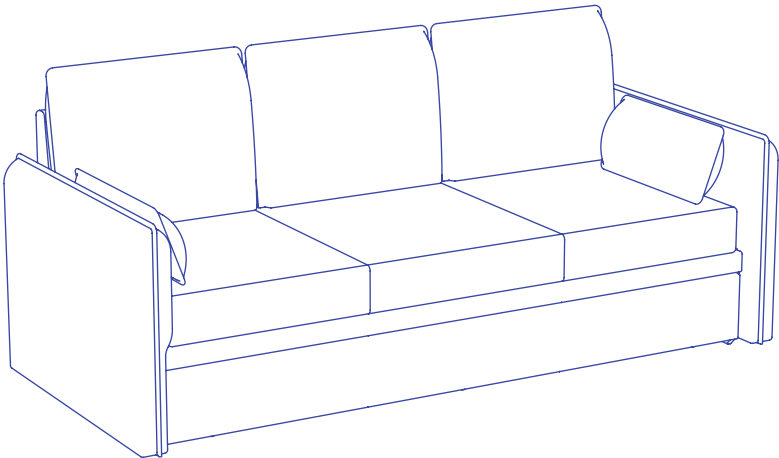
11



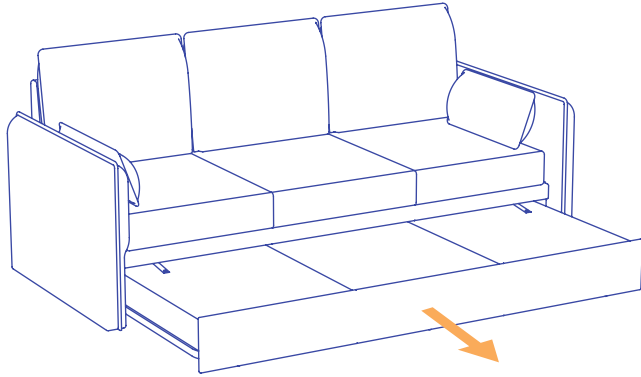
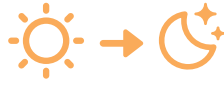
12



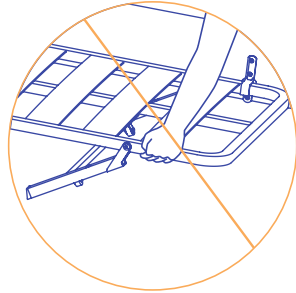
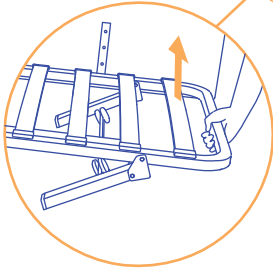
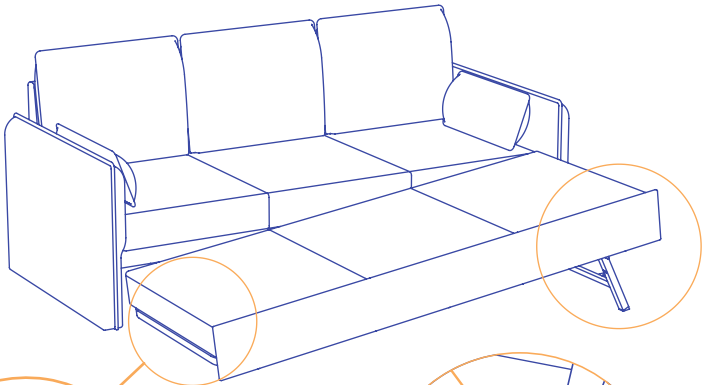
13



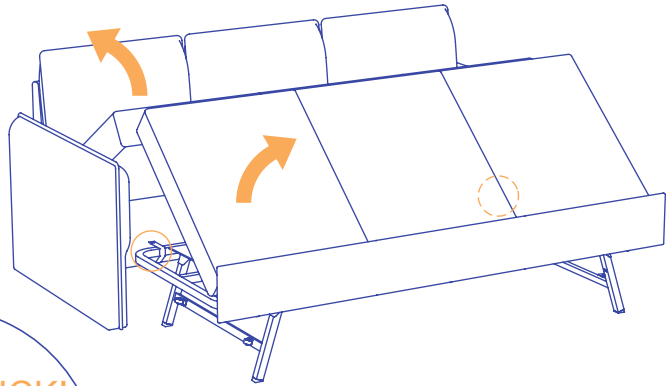
1



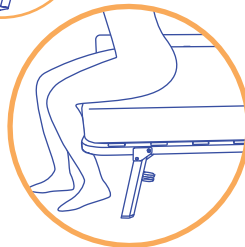
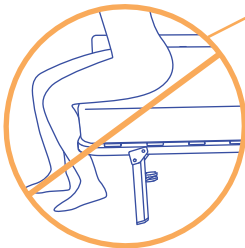
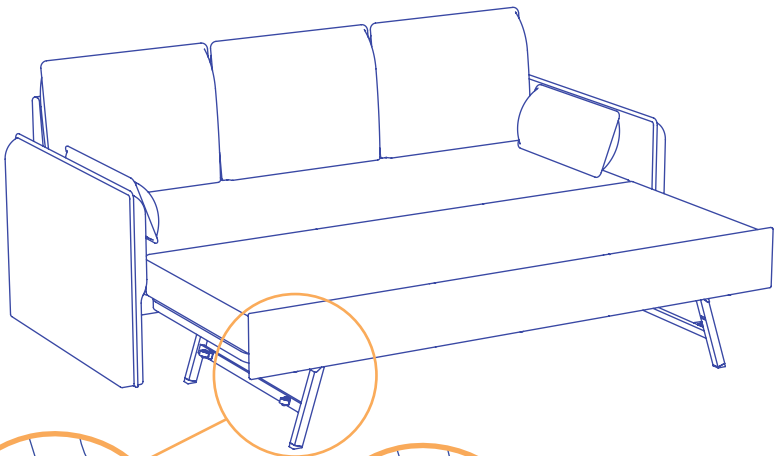
2

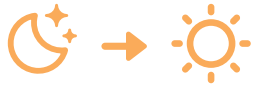


3

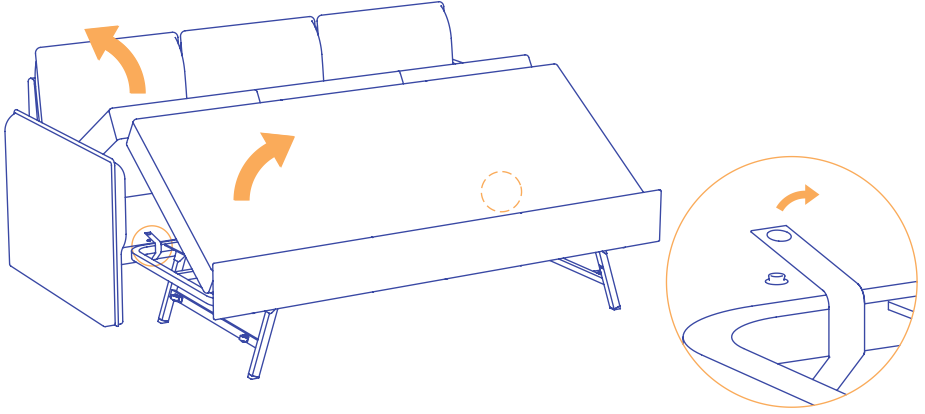


4

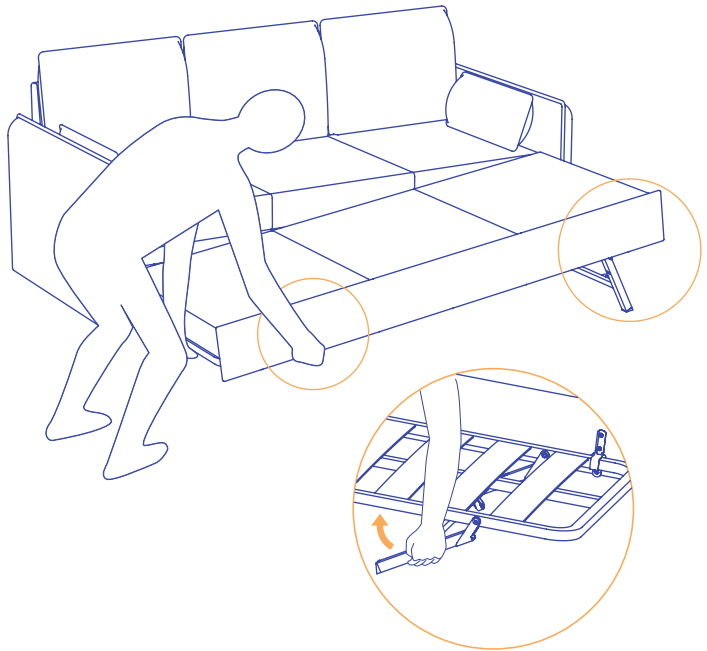


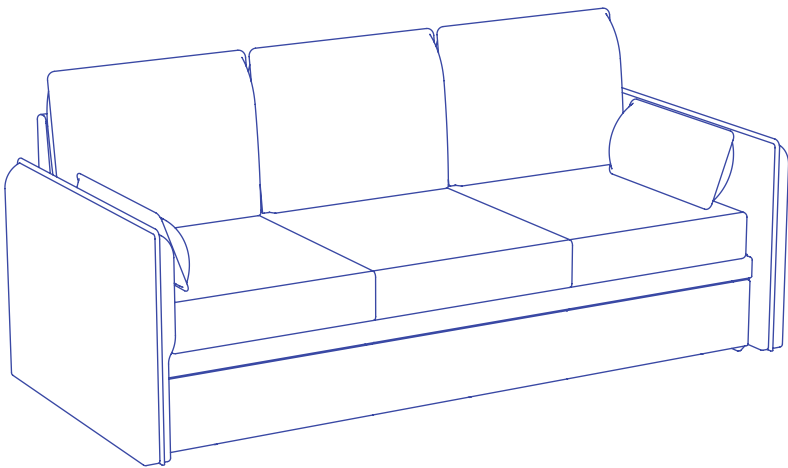


1



2





Emma®

Emma Matratzen GmbH
Wilhelm-Leuschner-Straße 78
60329 Frankfurt am Main