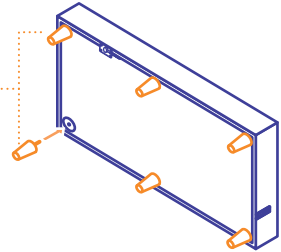


Emma[®]

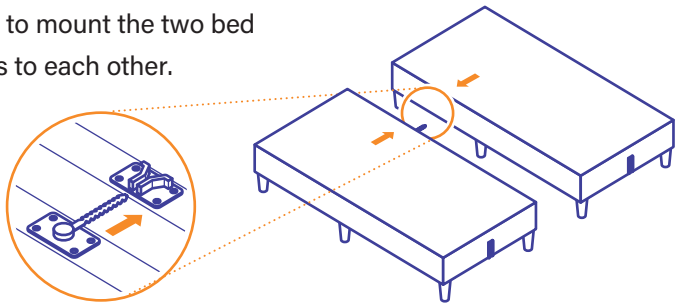
Boxspring Bed

How to assemble your Emma Boxespring Bed

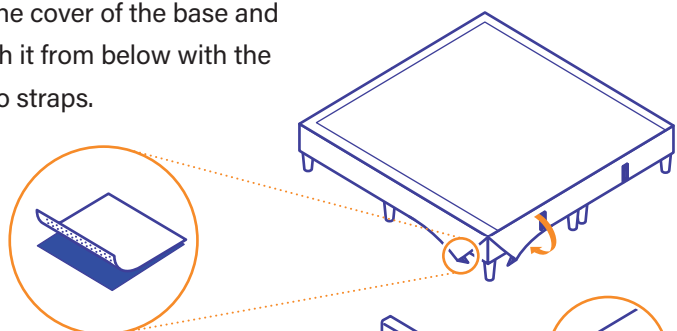
- 1 Attach the six wooden feet to the visible corners of the bed.



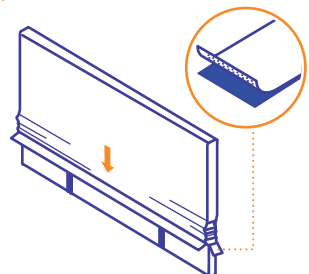
- 2 Screw in the connectors to the underside of the bases and use them to mount the two bed bases to each other.



- 3 Put the cover of the base and attach it from below with the velcro straps.

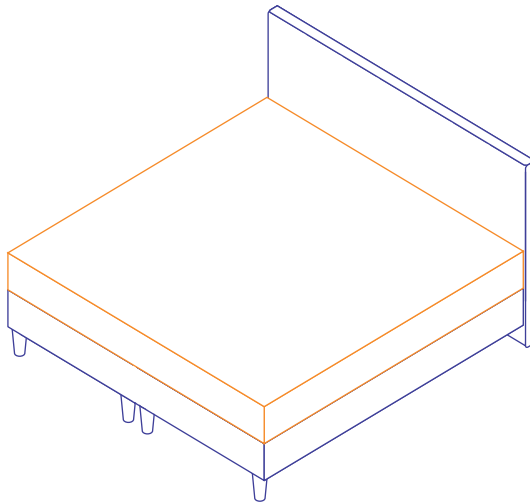
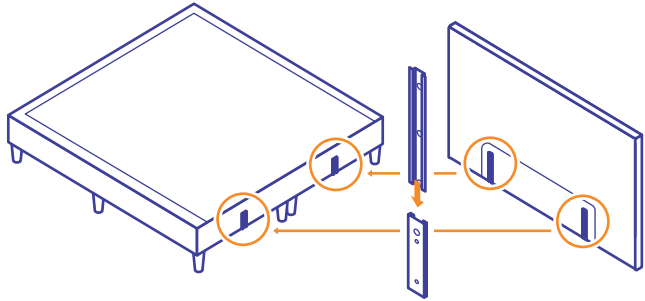


- 4 Put the cover of the Headboard: attach it with the velcro straps below and close the zipper behind.



5

Push the headboard into the slider on the front of the bed until the headboard touches the floor.



Happy dreams!
Your Emma Team

Emma®

Emma Matratzen GmbH
Wilhem-Leuschner-Straße 78
60329 Frankfurt am Main