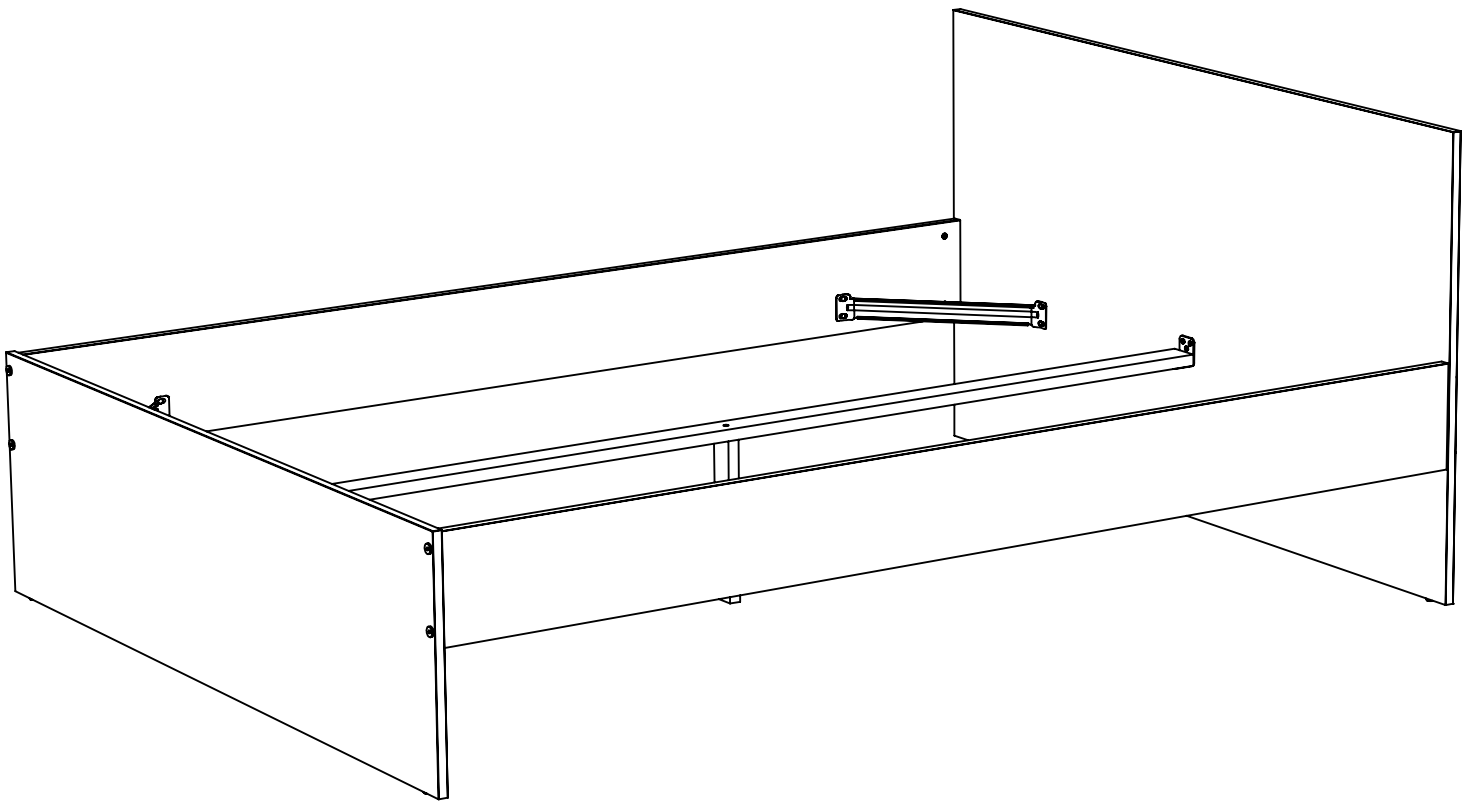


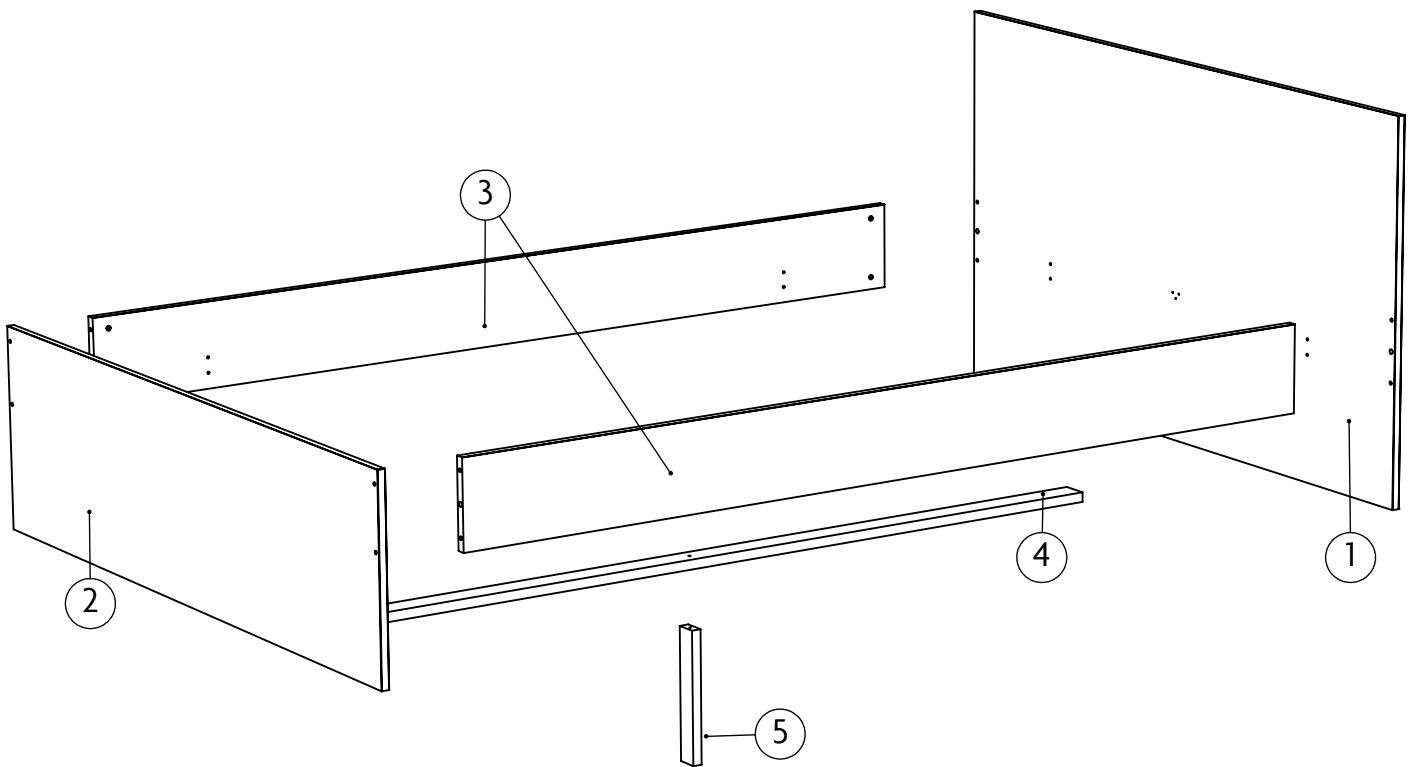


30 min



Votre meuble se recycle.
dancașneron is auprăci de
vetra cantra deștri.

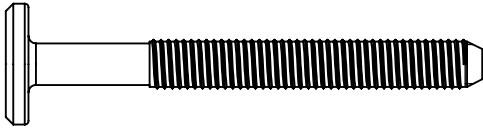




| N° Pièce Part No. Teile nummer | Quantité Quantity Zahl | Longueur Length Länge 135x190 | Longueur Length Länge 140x190 | Longueur Length Länge 140x200 | Longueur Length Länge 150x200 | Longueur Length Länge 160x200 | Longueur Length Länge 180x200 | Largeur Width Breite | Colis Parcel Paket |
|---|------------------------------|--|--|--|--|--|--|----------------------------|--------------------------|
| 1 | 1 | 1391 | 1441 | 1441 | 1541 | 1641 | 1841 | 800 | 1/2 |
| 2 | 1 | 1391 | 1441 | 1441 | 1541 | 1641 | 1841 | 415 | 1/2 |
| 3 | 2 | 1910 | 1910 | 2010 | 2010 | 2010 | 2010 | 180 | 2/2 |
| 4 | 1 | 1895 | 1895 | 1995 | 1995 | 1995 | 1995 | 55 | 2/2 |
| 5 | 1 | 281 | 281 | 281 | 281 | 281 | 281 | 45 | 2/2 |

2 / 2

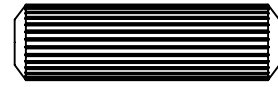
M6 x 60mm



A

8

Ø 10 x 35mm



B

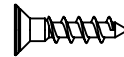
4

Ø 4,5 x 50mm



C

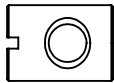
1



Ø 3,5 x 15mm

D

12



M6

E

8



F

4



G

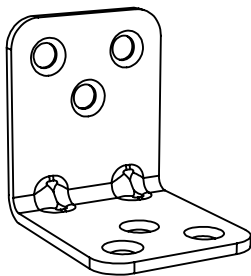
4



Ø 6,3 x 11mm

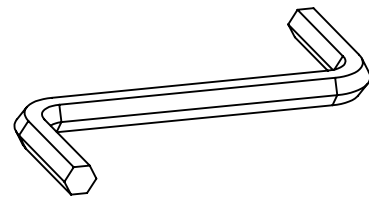
H

16



I



2

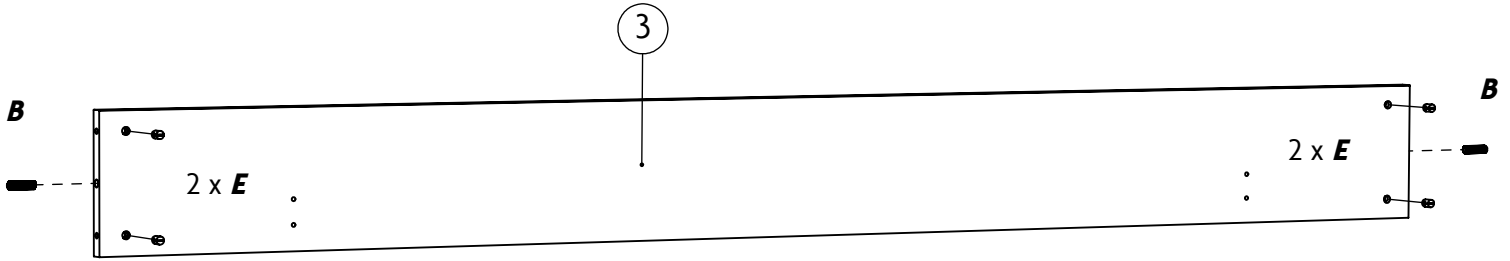


J


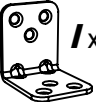
1

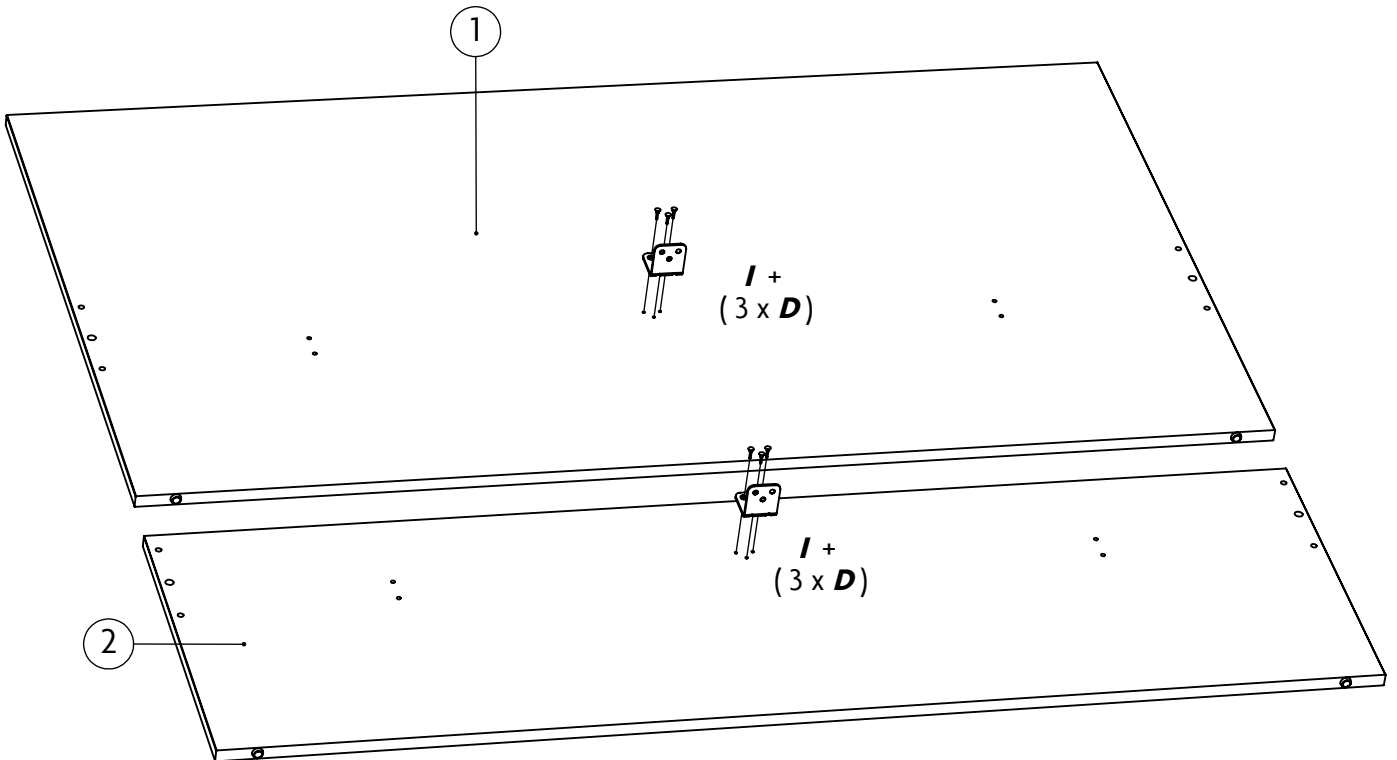
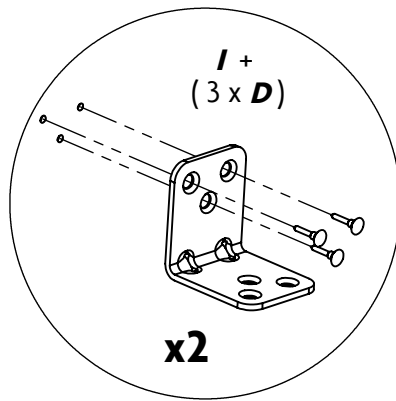
1 **x2**

| | |
|--|---|
| <p>Ø 10 x 35mm</p>  <p>B x 4</p> | <p>M6</p>  <p>E x 8</p> |
|--|---|

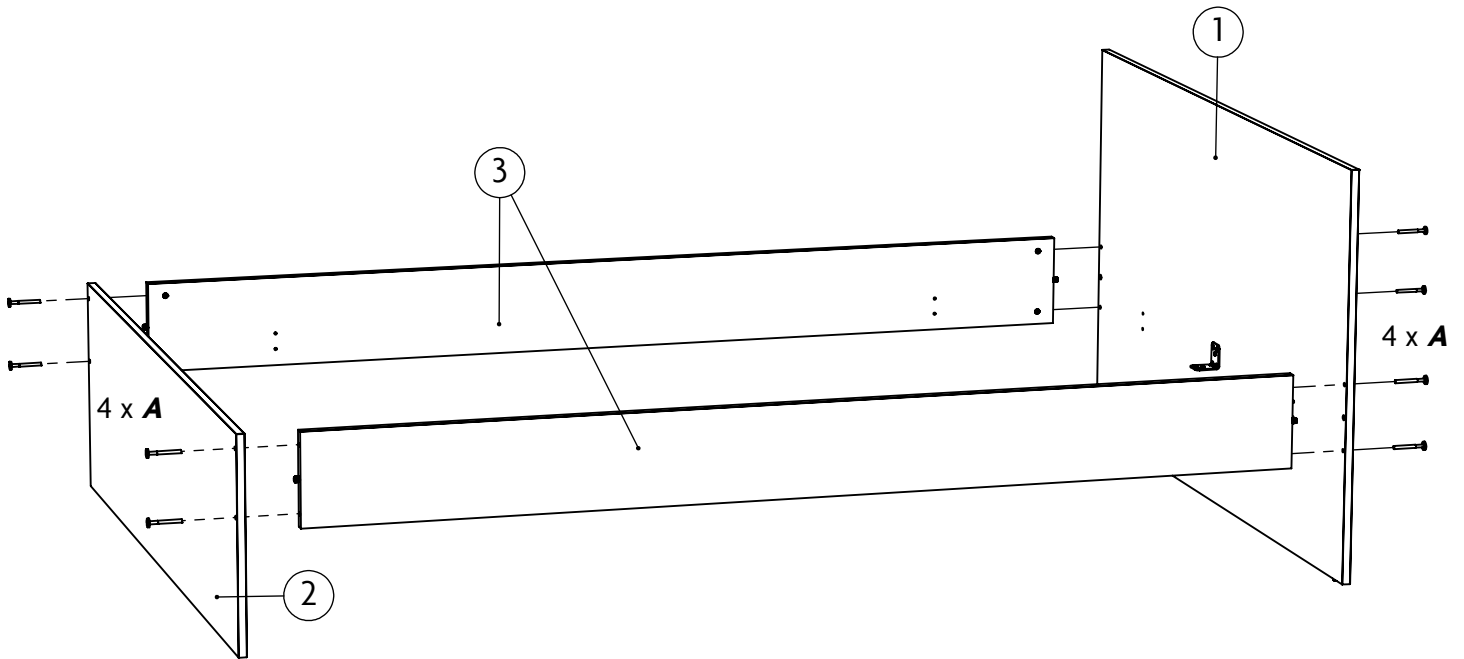
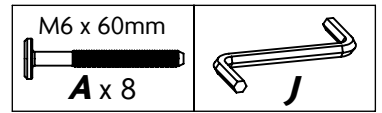


2

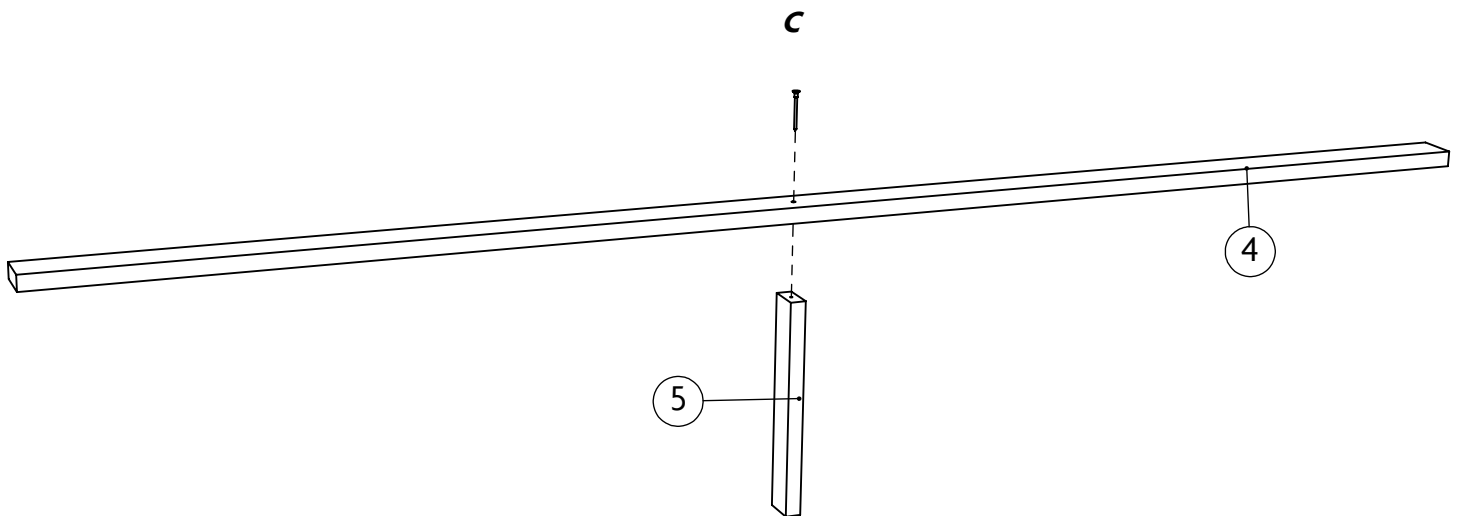
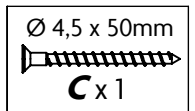
| | |
|---|---|
| <p>Ø 3,5 x 15mm</p>  <p>D x 6</p> |  <p>I x 2</p> |
|---|---|



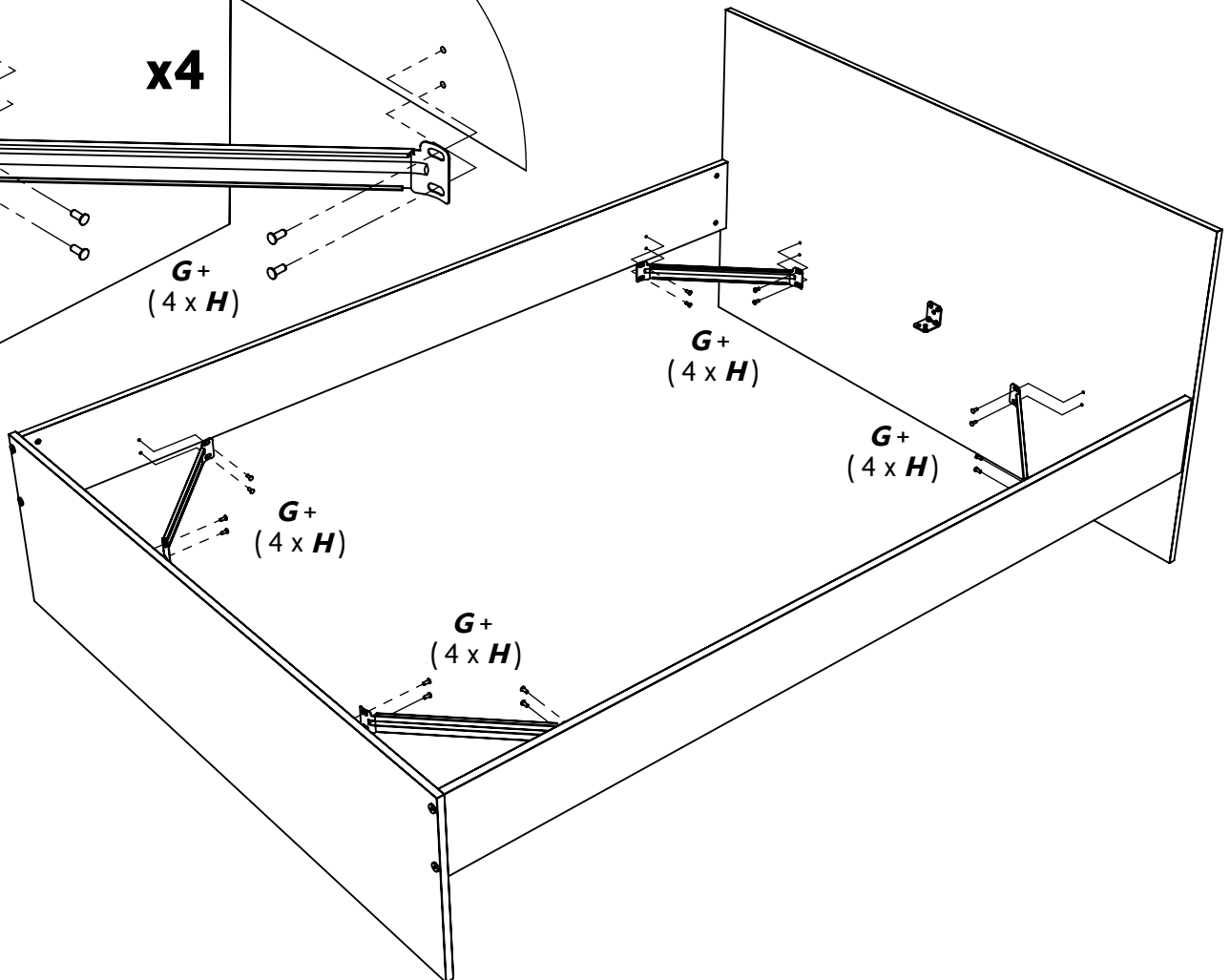
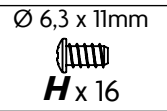
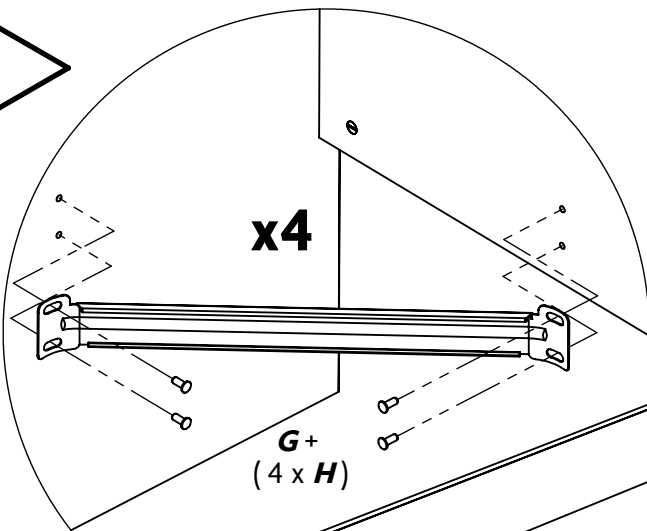
3



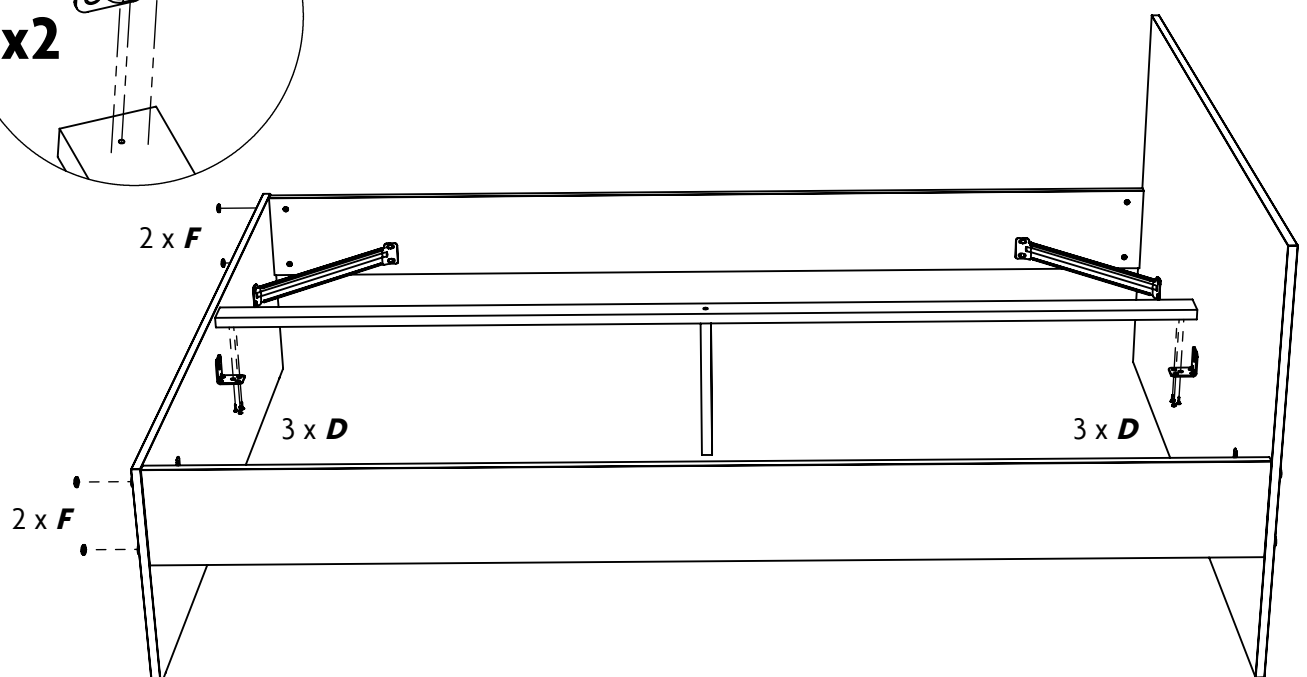
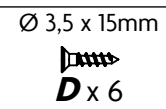
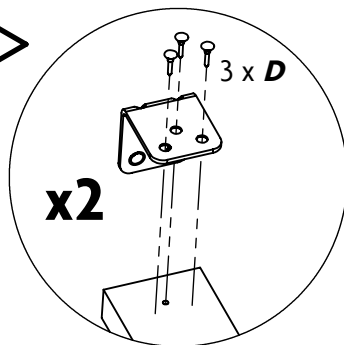
4



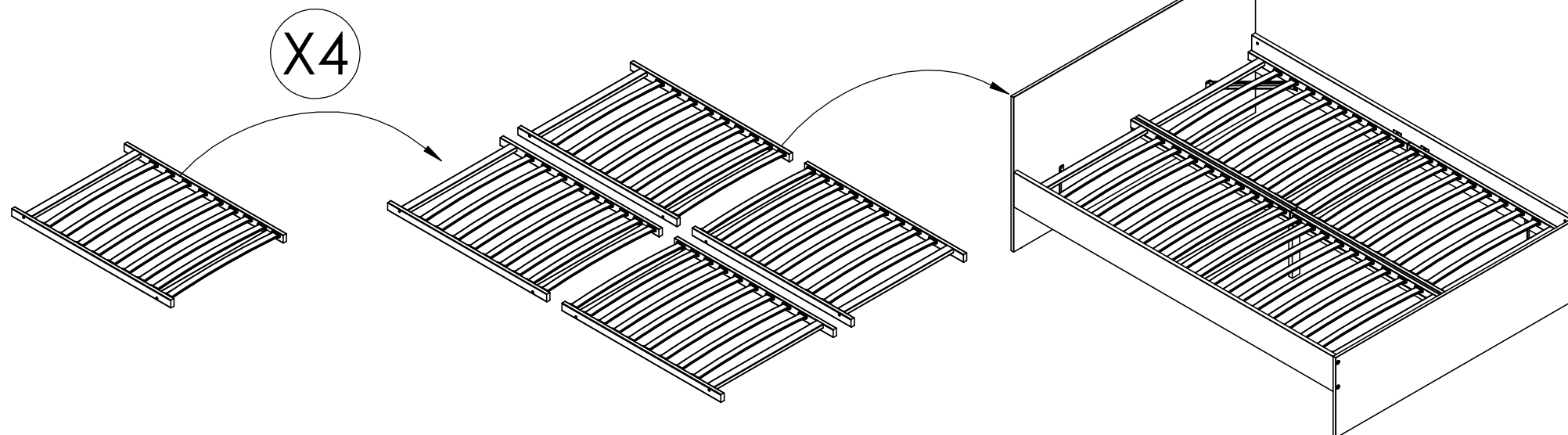
5



6

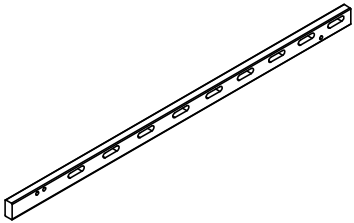
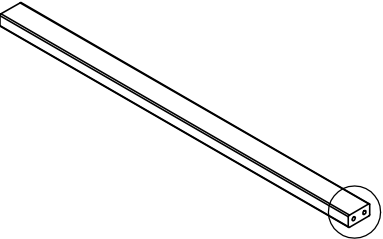
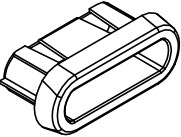
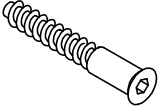
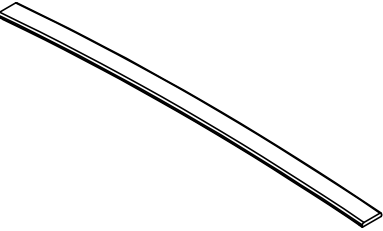


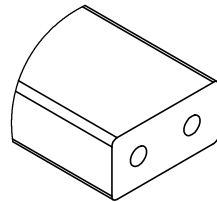
1 KIT 01

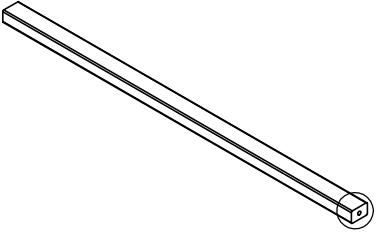
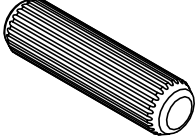
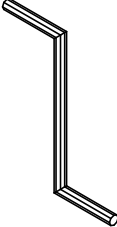
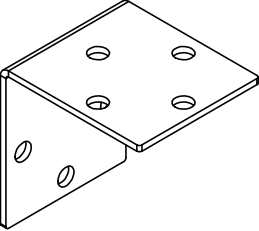
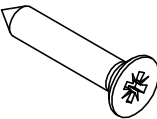


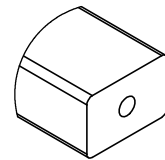
Made in France
Fabriqué en France
Hergestellt in Frankreich

0408126767-01

| No. ARTICLE | QTE | |
|-------------|-----|---|
| 1 | 8 |  |
| 2 | 4 |  |
| 3 | 72 |  |
| 4 | 16 |  |
| 5 | 36 |  |

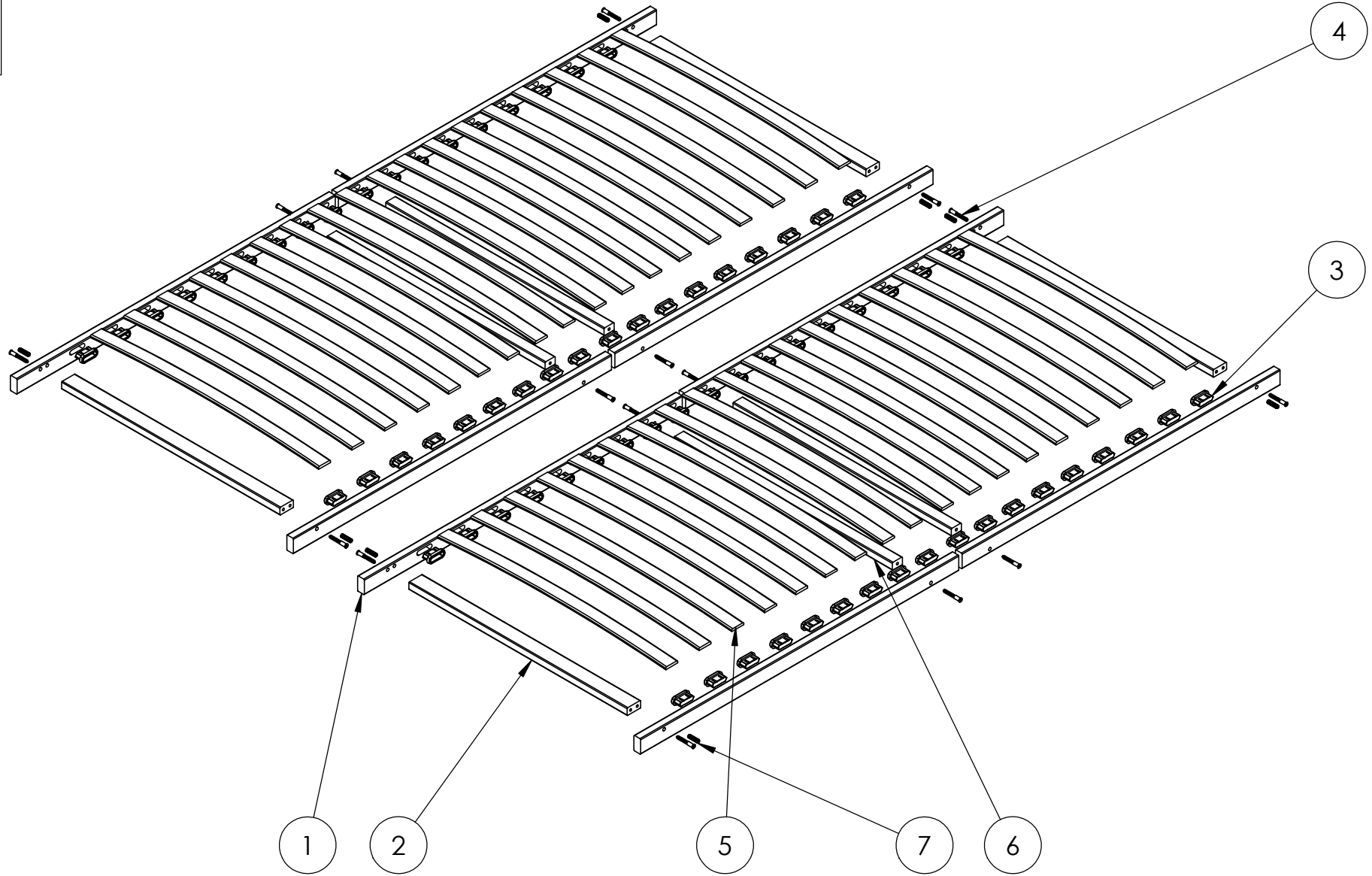


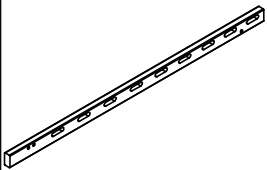
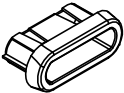
| No. ARTICLE | QTE | |
|-------------|-----|---|
| 6 | 4 |  |
| 7 | 8 |  |
| 8 | 1 |  |
| 9 | 4 |  |
| 10 | 16 |  |



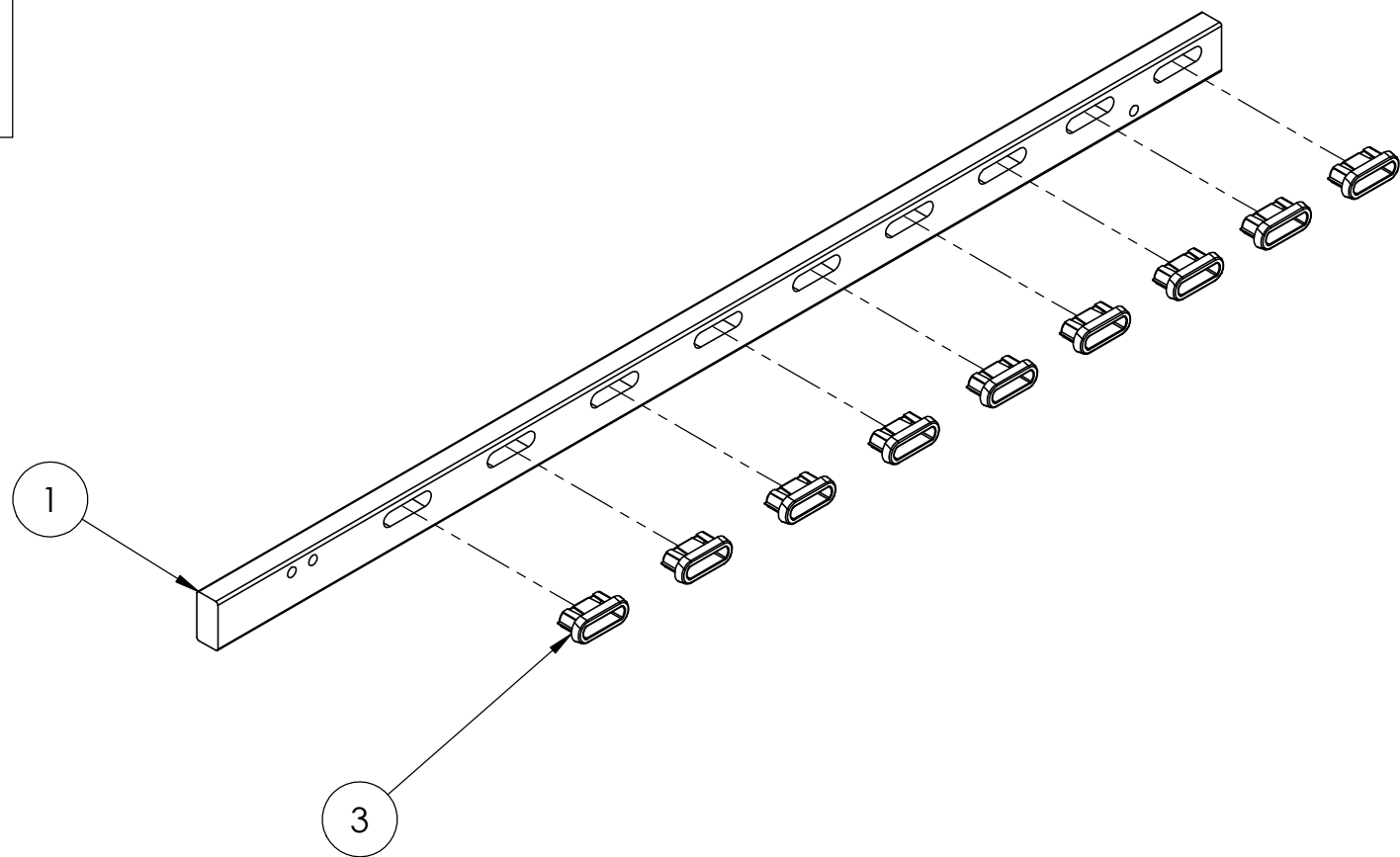
2

3



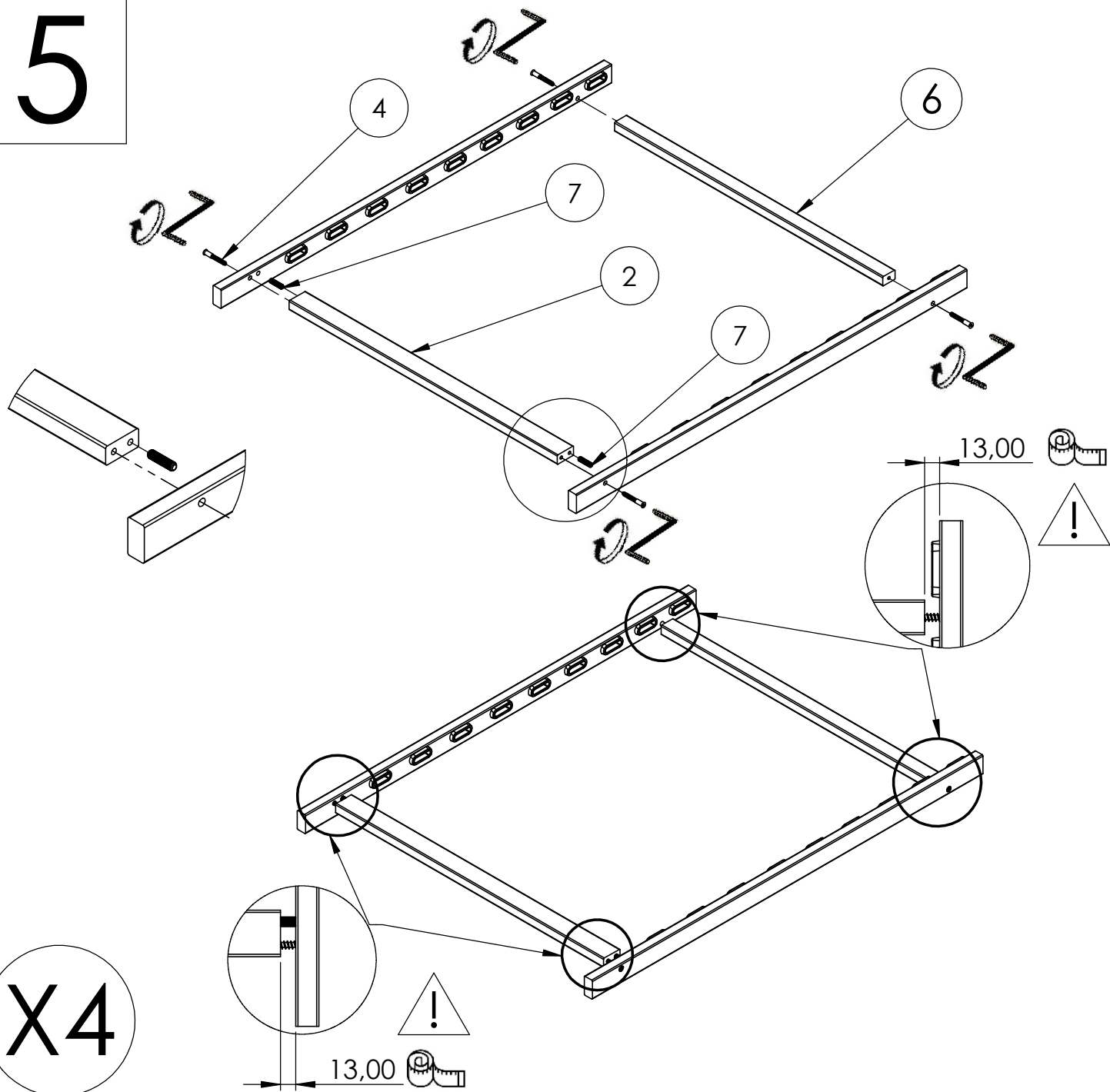
| No. ARTICLE | QTE | |
|-------------|-----|---|
| 1 | 1 |  |
| 3 | 9 |  |

4




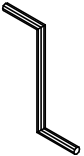
X8

5



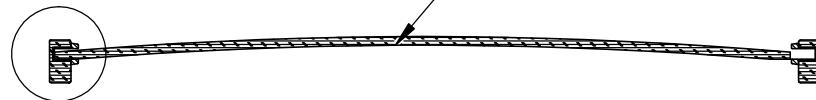
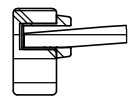
X4

| | QTE | No. ARTICLE |
|--|-----|-------------|
| | 1 | 2 |
| | 4 | 4 |
| | 1 | 6 |
| | 2 | 7 |
| | 1 | 8 |

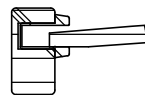
| No. ARTICLE | QTE | |
|-------------|-----|---|
| 5 | 9 |  |
| 8 | 1 |  |

6

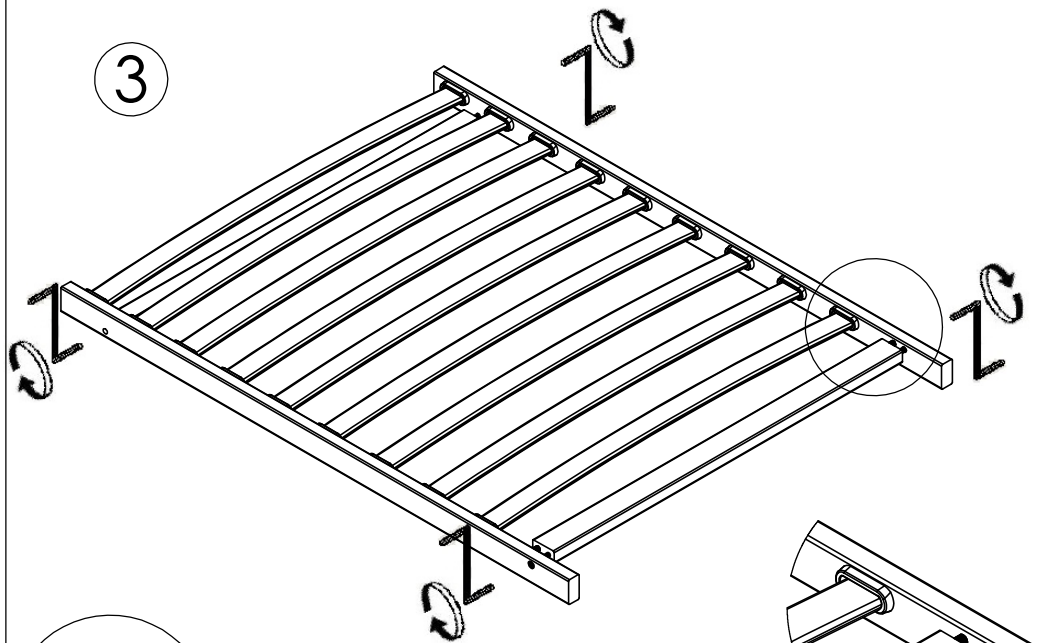
1



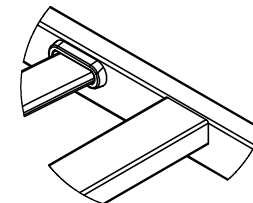
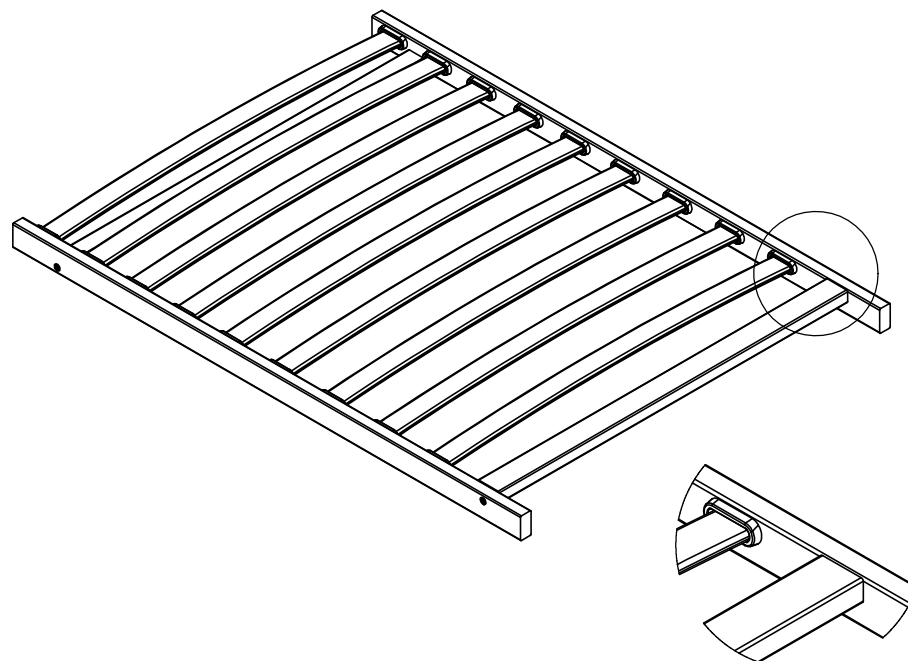
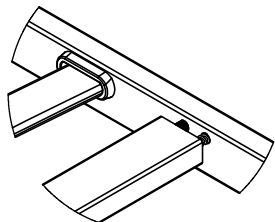
2



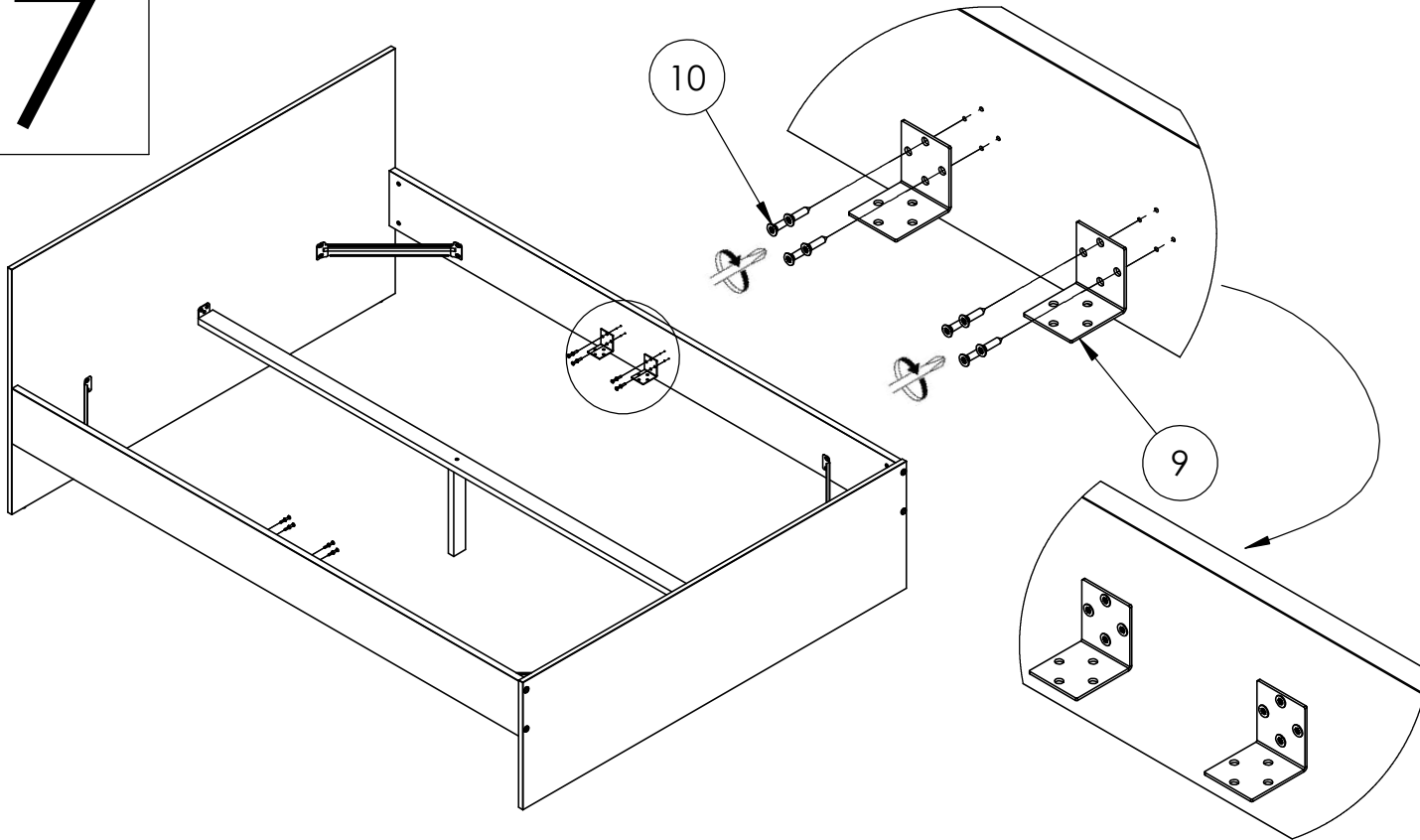
3



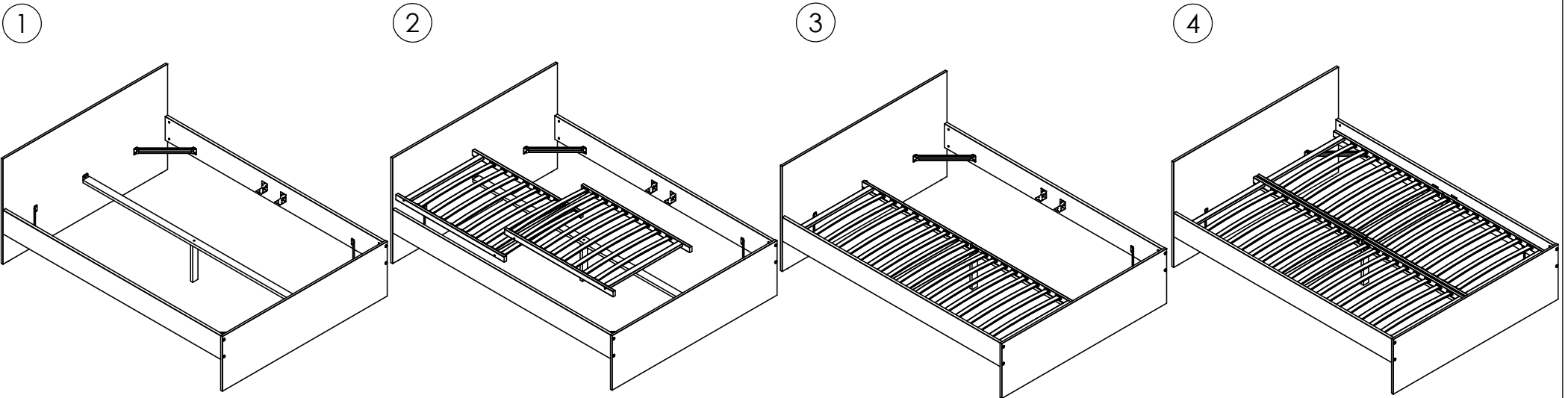
X4



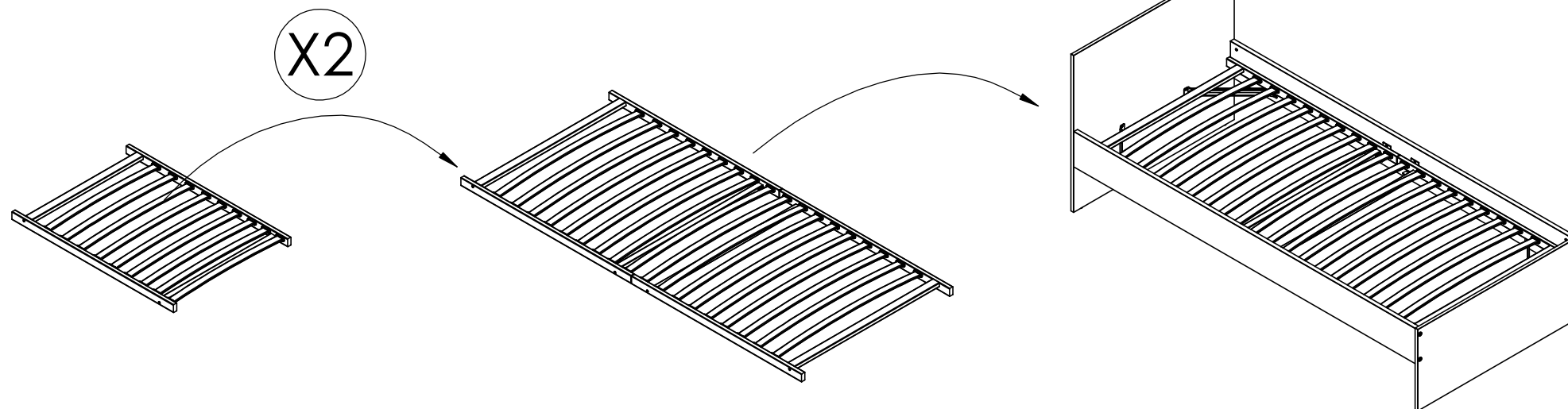
7



| | QTE | No. ARTICLE |
|--|-----|-------------|
| | 4 | 9 |
| | 16 | 10 |

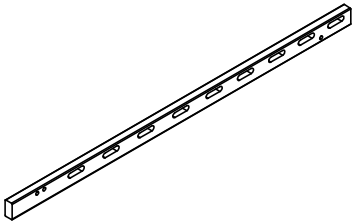
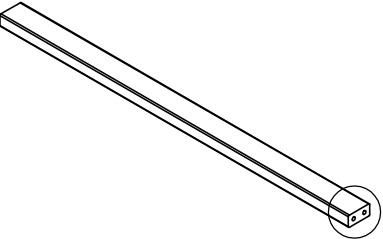
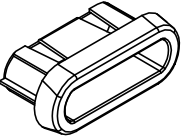
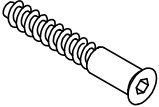
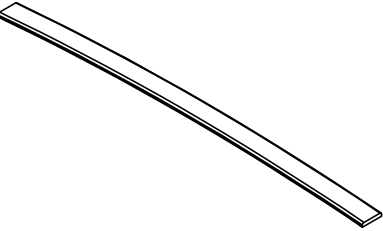


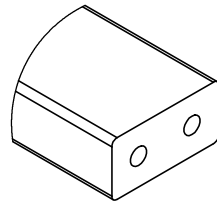
1 KIT 01

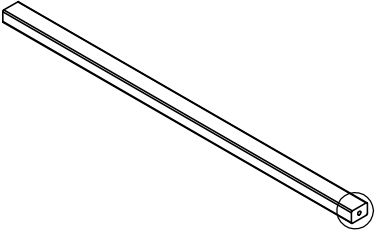
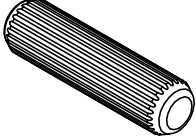
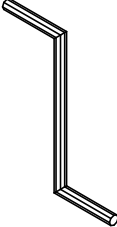
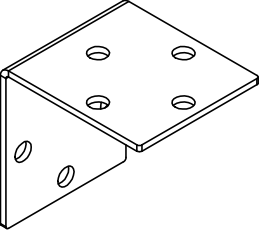
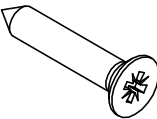


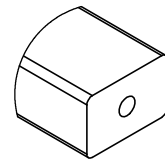
Made in France
Fabriqué en France
Hergestellt in Frankreich

0408126766-01

| No. ARTICLE | QTE | |
|-------------|-----|---|
| 1 | 4 |  |
| 2 | 2 |  |
| 3 | 36 |  |
| 4 | 8 |  |
| 5 | 18 |  |

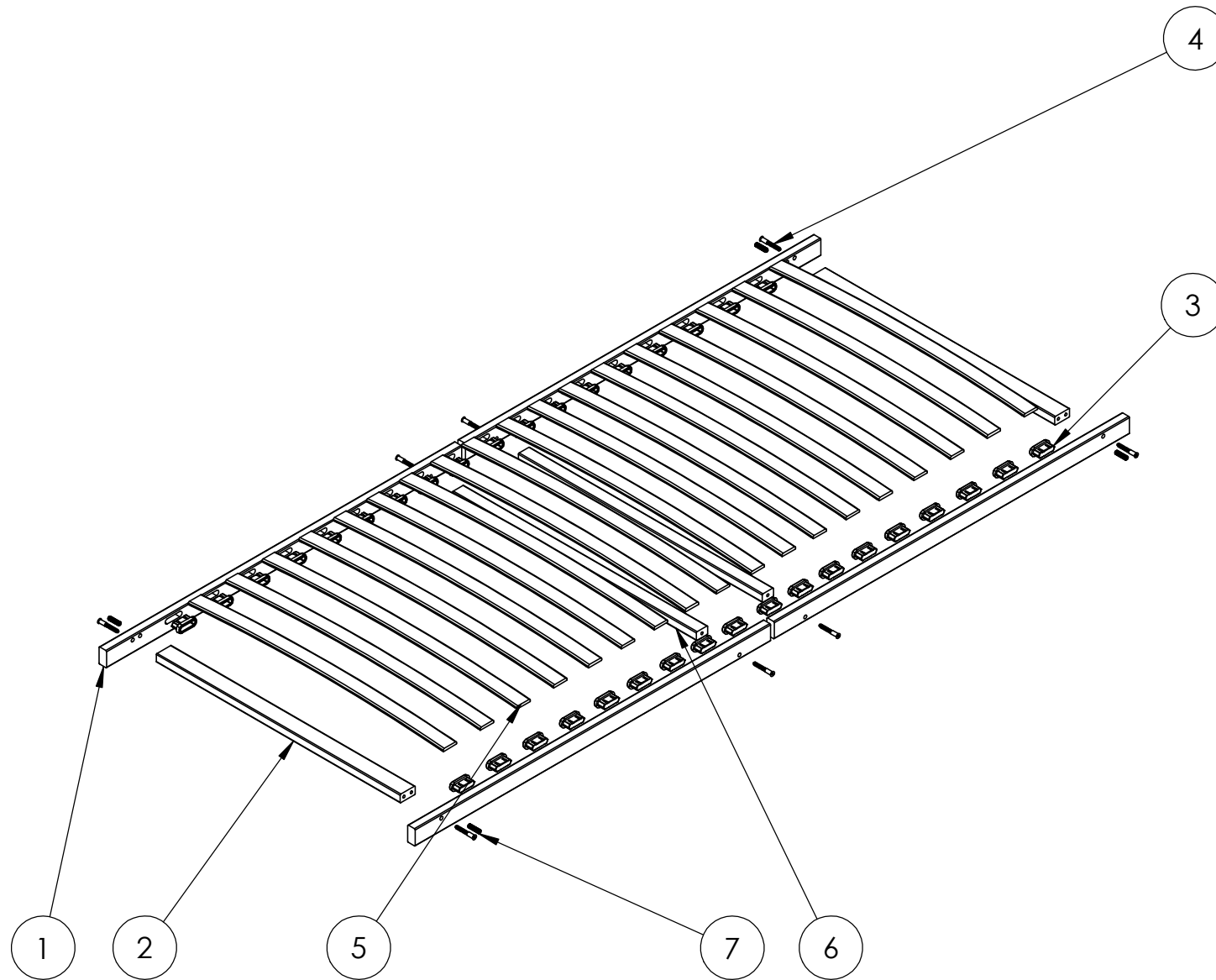


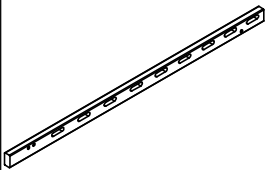
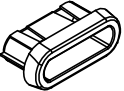
| No. ARTICLE | QTE | |
|-------------|-----|---|
| 6 | 2 |  |
| 7 | 4 |  |
| 8 | 1 |  |
| 9 | 4 |  |
| 10 | 16 |  |



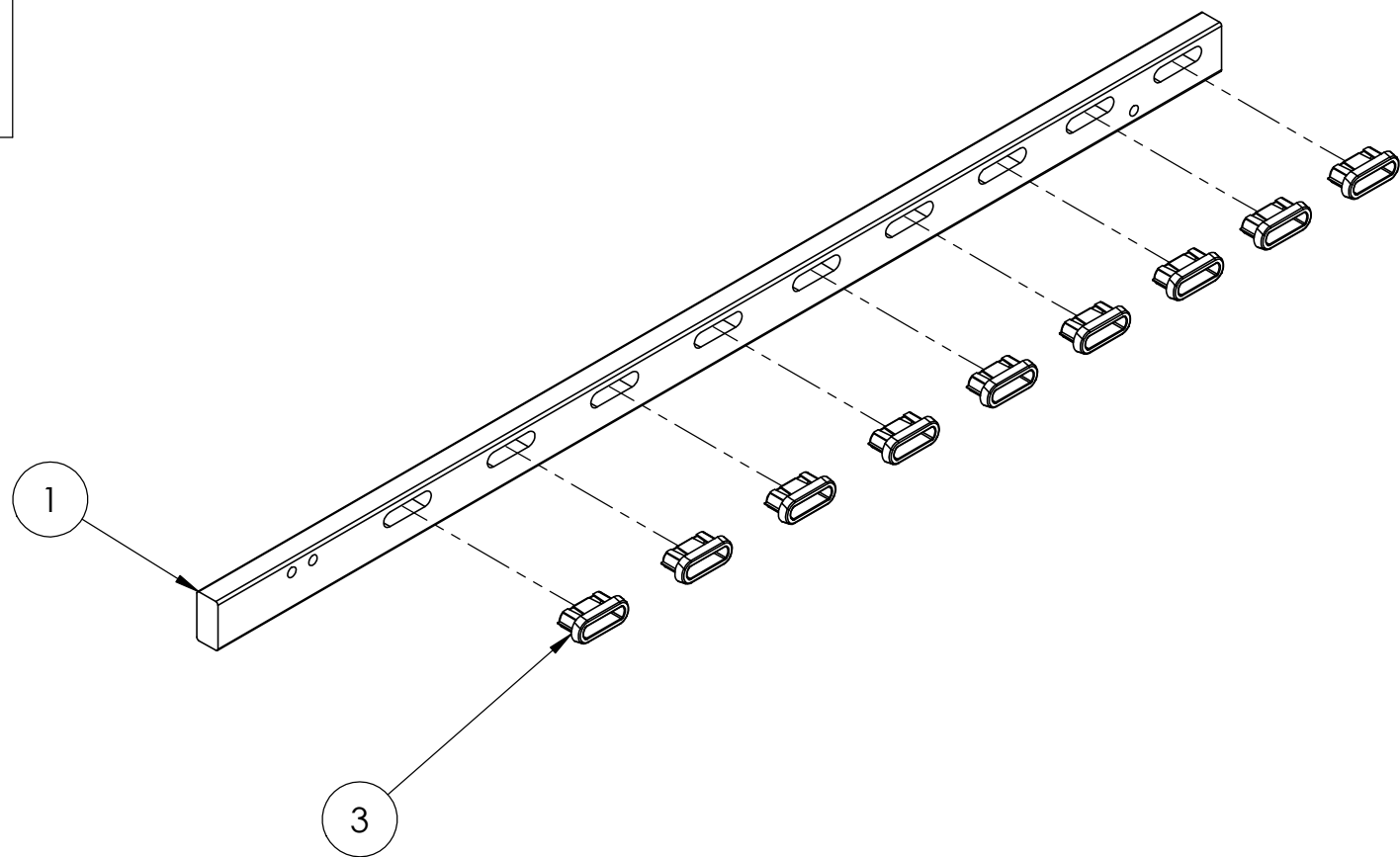
2

3



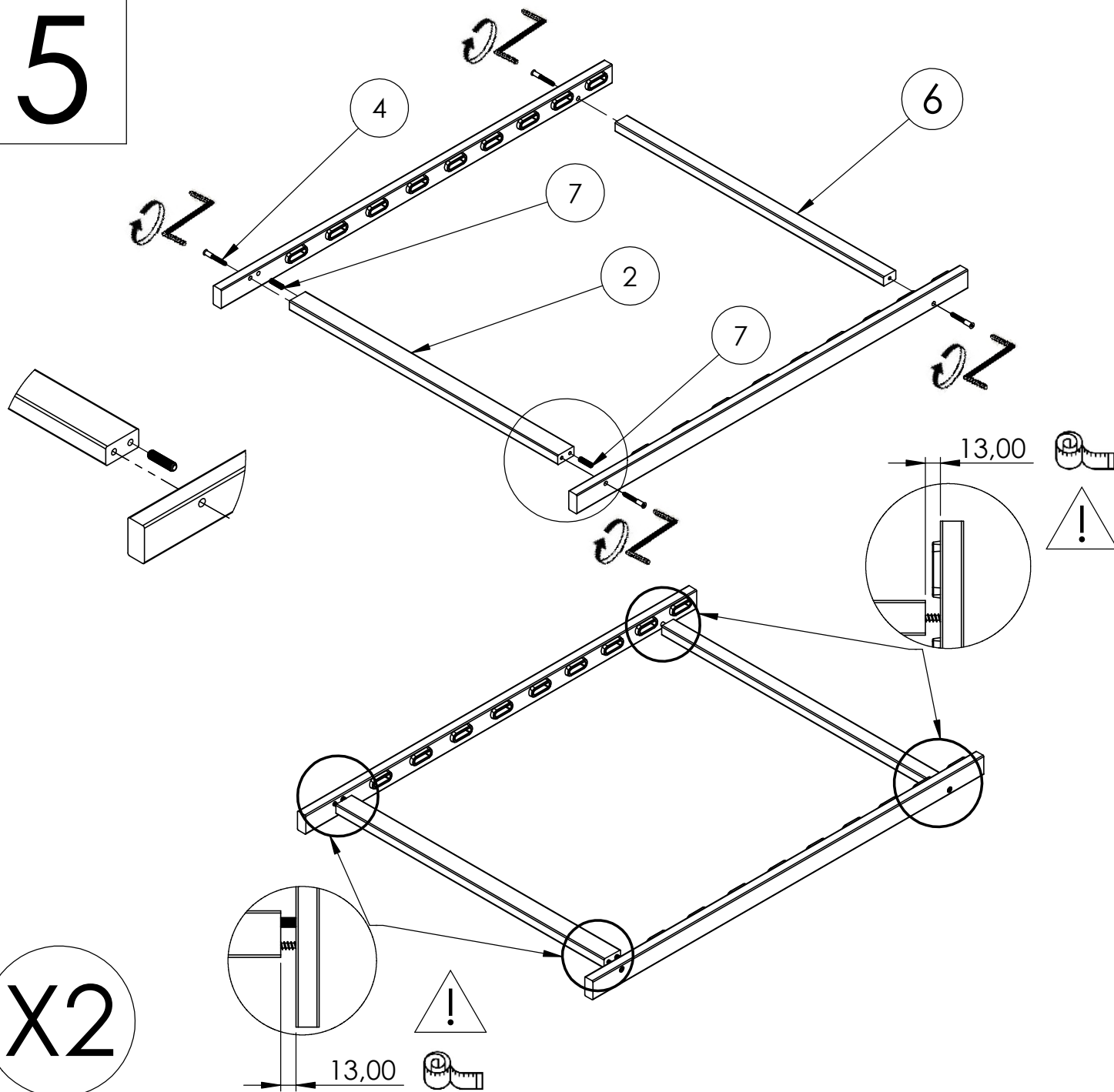
| No. ARTICLE | QTE | |
|-------------|-----|---|
| 1 | 1 |  |
| 3 | 9 |  |

4




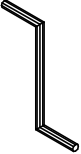
X4

5



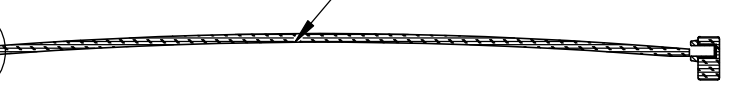
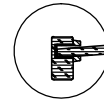
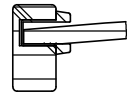
X2

| | QTE | No. ARTICLE |
|--|-----|-------------|
| | 1 | 2 |
| | 4 | 4 |
| | 1 | 6 |
| | 2 | 7 |
| | 1 | 8 |

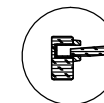
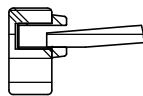
| No. ARTICLE | QTE | |
|-------------|-----|---|
| 5 | 9 |  |
| 8 | 1 |  |

6

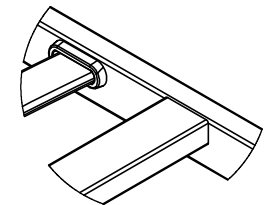
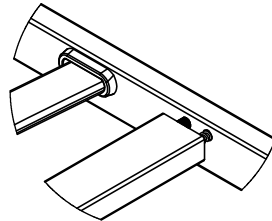
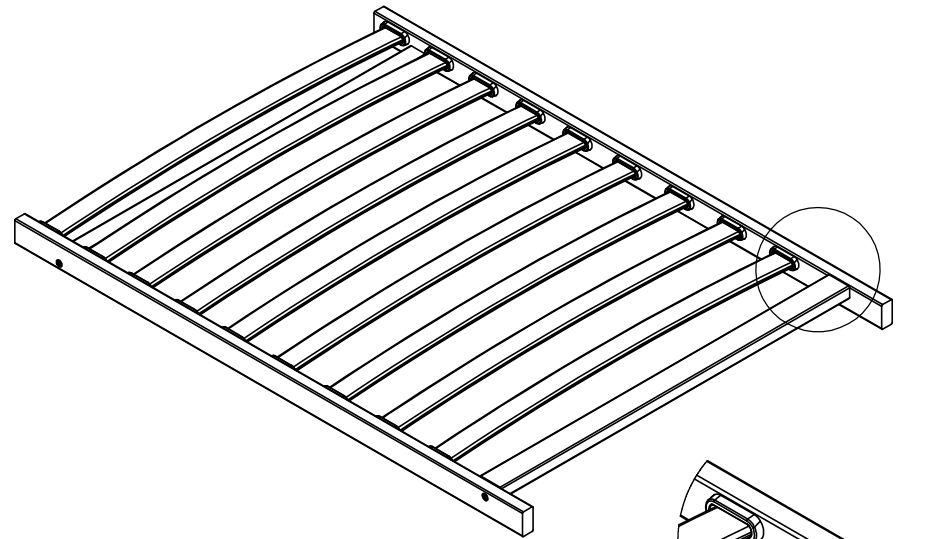
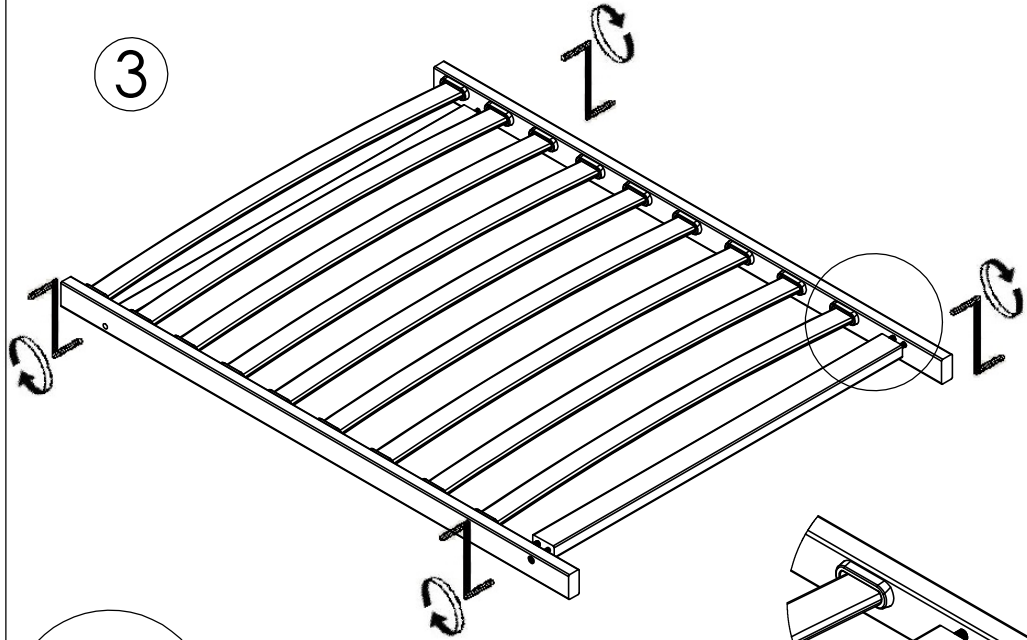
1



2

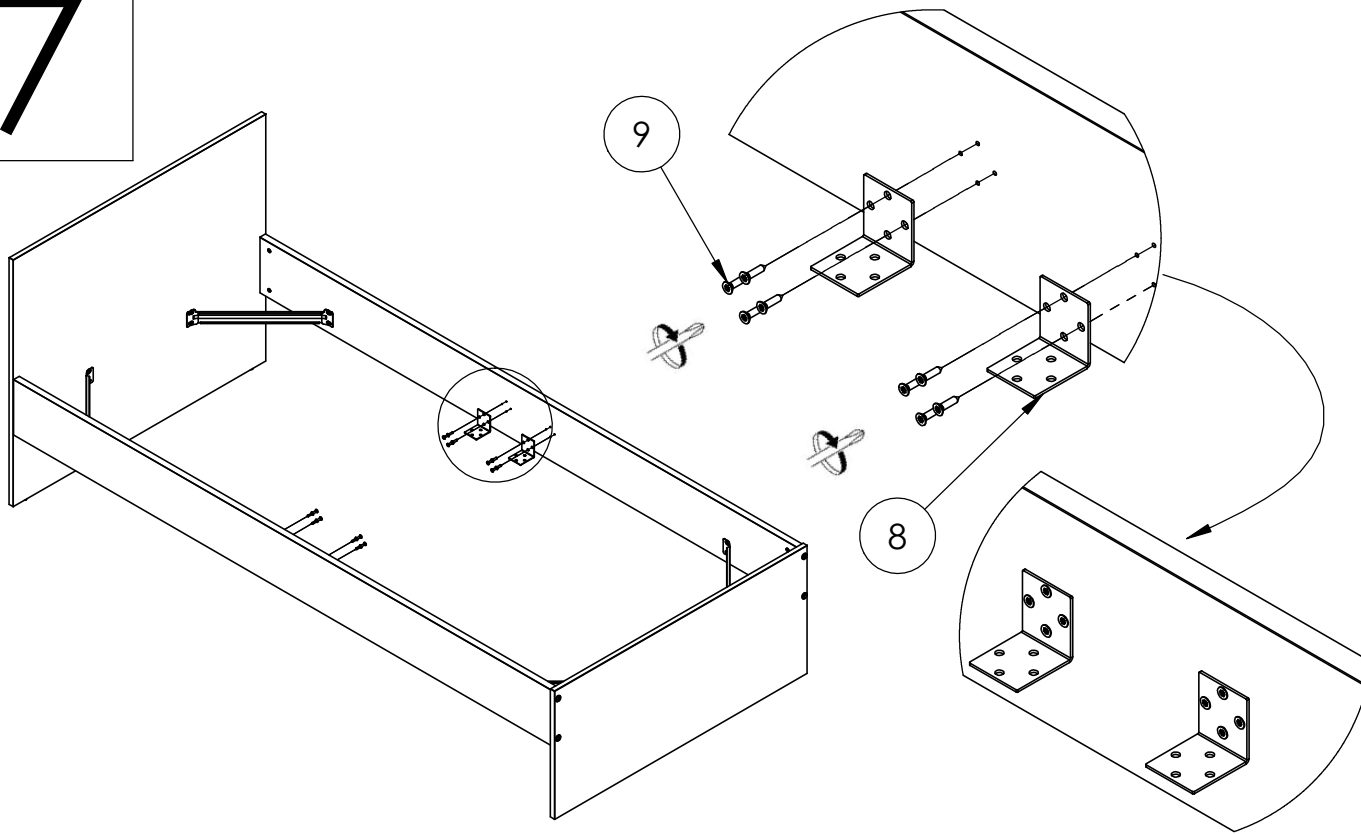


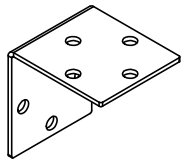
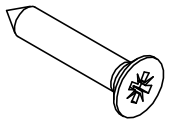
3



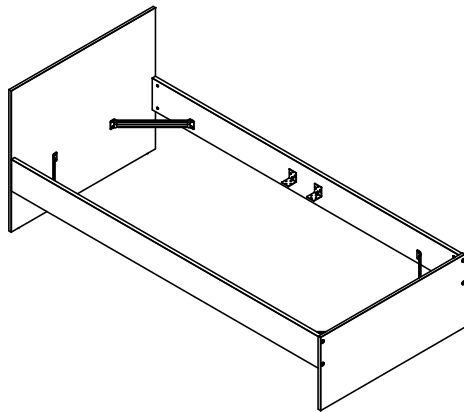
X2

7

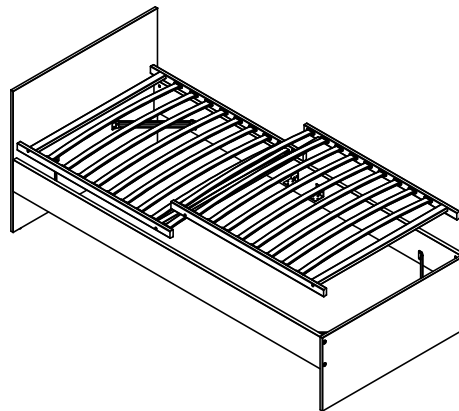


| | QTE | No. ARTICLE |
|---|-----|-------------|
|  | 4 | 9 |
|  | 16 | 9 |

1



2



3

