





Mitsubishi Electric Industrial Robot

RH-1FRHR Series INSTRUCTION MANUAL

ROBOT ARM SETUP & MAINTENANCE

Safety Precautions

Always read the following precautions and the separate "Safety Manual" before starting use of the robot to learn the required measures to be taken.

-  **CAUTION** All teaching work must be carried out by an operator who has received special training. (This also applies to maintenance work with the power source turned ON.)
Enforcement of safety training
-  **CAUTION** For teaching work, prepare a work plan related to the methods and procedures of operating the robot, and to the measures to be taken when an error occurs or when restarting. Carry out work following this plan. (This also applies to maintenance work with the power source turned ON.)
Preparation of work plan
-  **WARNING** Prepare a device that allows operation to be stopped immediately during teaching work. (This also applies to maintenance work with the power source turned ON.)
Setting of emergency stop switch
-  **CAUTION** During teaching work, place a sign indicating that teaching work is in progress on the start switch, etc. (This also applies to maintenance work with the power source turned ON.)
Indication of teaching work in progress
-  **DANGER** Provide a fence or enclosure during operation to prevent contact of the operator and robot.
Installation of safety fence
-  **CAUTION** Establish a set signaling method to the related operators for starting work, and follow this method.
Signaling of operation start
-  **CAUTION** As a principle turn the power OFF during maintenance work. Place a sign indicating that maintenance work is in progress on the start switch, etc.
Indication of maintenance work in progress
-  **CAUTION** Before starting work, inspect the robot, emergency stop switch and other related devices, etc., and confirm that there are no errors.
Inspection before starting work

The points of the precautions given in the separate "Safety Manual" are given below. Refer to the actual "Safety Manual" for details.

- ⚠ DANGER** When automatic operation of the robot is performed using multiple control devices (GOT, programmable controller, push-button switch), the interlocking of operation rights of the devices, etc. must be designed by the customer.
- ⚠ CAUTION** Use the robot within the environment given in the specifications. Failure to do so could lead to a drop or reliability or faults. (Temperature, humidity, atmosphere, noise environment, etc.)
- ⚠ CAUTION** Transport the robot with the designated transportation posture. Transporting the robot in a non-designated posture could lead to personal injuries or faults from dropping.
- ⚠ CAUTION** Always use the robot installed on a secure table. Use in an instable posture could lead to positional deviation and vibration.
- ⚠ CAUTION** Wire the cable as far away from noise sources as possible. If placed near a noise source, positional deviation or malfunction could occur.
- ⚠ CAUTION** Do not apply excessive force on the connector or excessively bend the cable. Failure to observe this could lead to contact defects or wire breakage.
- ⚠ CAUTION** Make sure that the workpiece weight, including the hand, does not exceed the rated load or tolerable torque. Exceeding these values could lead to errors or faults.
- ⚠ WARNING** Securely install the hand and tool, and securely grasp the workpiece. Failure to observe this could lead to personal injuries or damage if the object comes off or flies off during operation.
- ⚠ WARNING** Securely ground the robot and controller. Failure to observe this could lead to malfunctioning by noise or to electric shock accidents.
- ⚠ CAUTION** Indicate the operation state during robot operation. Failure to indicate the state could lead to operators approaching the robot or to incorrect operation.
- ⚠ WARNING** When carrying out teaching work in the robot's movement range, always secure the priority right for the robot control. Failure to observe this could lead to personal injuries or damage if the robot is started with external commands.
- ⚠ CAUTION** Keep the jog speed as low as possible, and always watch the robot. Failure to do so could lead to interference with the workpiece or peripheral devices.
- ⚠ CAUTION** After editing the program, always confirm the operation with step operation before starting automatic operation. Failure to do so could lead to interference with peripheral devices because of programming mistakes, etc.
- ⚠ CAUTION** Make sure that if the safety fence entrance door is opened during automatic operation, the door is locked or that the robot will automatically stop. Failure to do so could lead to personal injuries.
- ⚠ CAUTION** Never carry out modifications based on personal judgments, or use non-designated maintenance parts. Failure to observe this could lead to faults or failures.

 **WARNING**

When the robot arm has to be moved by hand from an external area, do not place hands or fingers in the openings. Failure to observe this could lead to hands or fingers catching depending on the posture.

 **CAUTION**

Do not stop the robot or apply emergency stop by turning the robot controller's main power OFF. If the robot controller main power is turned OFF during automatic operation, the robot accuracy could be adversely affected. Moreover, it may interfere with the peripheral device by drop or move by inertia of the arm.

 **CAUTION**

Do not turn off the main power to the robot controller while rewriting the internal information of the robot controller such as the program or parameters. If the main power to the robot controller is turned off while in automatic operation or rewriting the program or parameters, the internal information of the robot controller may be damaged.

 **DANGER**

Do not connect the Handy GOT when using the GOT direct connection function of this product. Failure to observe this may result in property damage or bodily injury because the Handy GOT can automatically operate the robot regardless of whether the operation rights are enabled or not.

 **DANGER**

Do not connect the Handy GOT to a programmable controller when using an iQ Platform compatible product with the CR800-R/CR800-Q controller. Failure to observe this may result in property damage or bodily injury because the Handy GOT can automatically operate the robot regardless of whether the operation rights are enabled or not.

 **DANGER**

Do not remove the SSCNET III cable while power is supplied to the multiple CPU system or the servo amplifier. Do not look directly at light emitted from the tip of SSCNET III connectors or SSCNET III cables of the Motion CPU or the servo amplifier. Eye discomfort may be felt if exposed to the light. (Reference: SSCNET III employs a Class 1 or equivalent light source as specified in JIS C 6802 and IEC60825-1 (domestic standards in Japan).)

 **DANGER**

Do not remove the SSCNET III cable while power is supplied to the controller. Do not look directly at light emitted from the tip of SSCNET III connectors or SSCNET III cables. Eye discomfort may be felt if exposed to the light. (Reference: SSCNET III employs a Class 1 or equivalent light source as specified in JIS C 6802 and IEC60825-1 (domestic standards in Japan).)

 **DANGER**

Attach the cap to the SSCNET III connector after disconnecting the SSCNET III cable. If the cap is not attached, dirt or dust may adhere to the connector pins, resulting in deterioration connector properties, and leading to malfunction.

 **CAUTION**

Make sure there are no mistakes in the wiring. Connecting differently to the way specified in the manual can result in errors, such as the emergency stop not being released. In order to prevent errors occurring, please be sure to check that all functions (such as the teaching box emergency stop, customer emergency stop, and door switch) are working properly after the wiring setup is completed.

CAUTION

Use the network equipments (personal computer, USB hub, LAN hub, etc) confirmed by manufacturer. The thing unsuitable for the FA environment (related with conformity, temperature or noise) exists in the equipments connected to USB. When using network equipment, measures against the noise, such as measures against EMI and the addition of the ferrite core, may be necessary. Please fully confirm the operation by customer. Guarantee and maintenance of the equipment on the market (usual office automation equipment) cannot be performed.

CAUTION

To maintain the security (confidentiality, integrity, and availability) of the robot and the system against unauthorized access, DoS*¹ attacks, computer viruses, and other cyberattacks from unreliable networks and devices via network, take appropriate measures such as firewalls, virtual private networks (VPNs), and antivirus solutions.

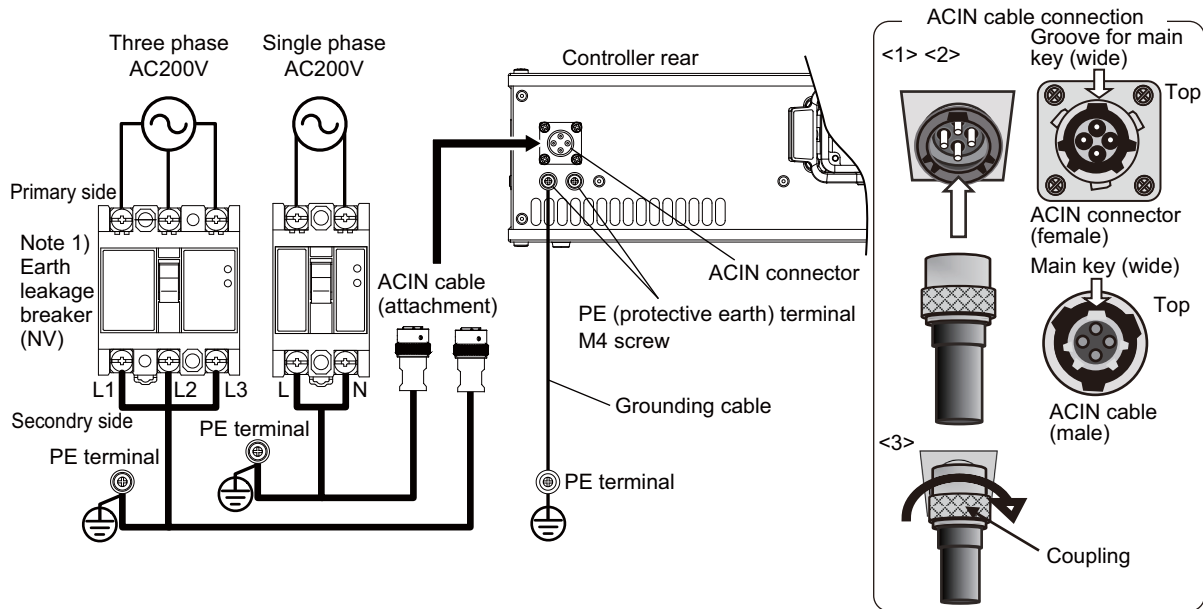
Mitsubishi Electric shall have no responsibility or liability for any problems involving robot trouble and system trouble by unauthorized access, DoS attacks, computer viruses, and other cyberattacks.

*1 DoS: A denial-of-service (DoS) attack disrupts services by overloading systems or exploiting vulnerabilities, resulting in a denial-of-service (DoS) state.

*CR800 controller

Notes of the basic component are shown.

⚠ CAUTION Please install the earth leakage breaker in the primary side power supply of the controller because of leakage protection.



Note 1) Always use the terminal cover for the earth leakage breaker.

1) Prepare the following items.

| Part name | Specifications | Remarks |
|--------------------------------|--|--|
| Earth leakage breaker | The following is recommended product. Single phase: NV30FAU-2P-10A-AC100-240V-30mA (Terminal cover: TCS-05FA2) Three phase: NV30FAU-3P-10A-AC100-240V-30mA (Terminal cover: TCS-05FA3) | Prepared by customer. |
| Cable for primary power supply | AWG14 (2mm ²) or above | Prepared by customer. Tightening torque for terminal fixing screw is 2 ~ 3Nm. |
| Grounding cable | AWG14 (2mm ²) or above | Prepared by customer. Tightening torque for terminal fixing screw is 2 ~ 3Nm. |
| ACIN cable | Terminal: M5, cable length: 3m | Supplied with the product. |

- 2) Confirm that the primary power matches the specifications.
- 3) Confirm that the primary power is OFF and that the earth leakage breaker power switch is OFF.
- 4) Connect the ACIN cable to the breaker.
Connect the power terminals of the ACIN cable to the secondary side terminals of the earth leakage breaker. Also, ground the FG terminal of the cable.
- 5) Connect the ACIN cable to the ACIN connector on the rear of the controller.
<1> Face the main key on the ACIN cable plug upwards. (Refer to the "ACIN cable connection" illustration.)
<2> Align the main key of the ACIN cable plug with the grooves on the ACIN connector. Push the plug into the connector as far as it will go.
The plug may be damaged if it is not correctly aligned with the connector.
<3> Tighten the coupling on the ACIN cable, turning it to the right until it locks.
- 6) Connect one end of the grounding cable to the PE (protective earth) terminal on the controller and ground the other end (2-point grounding) in order to comply with the requirements of EN 61800-5-1 for the touch current of 3.5 mA AC or more.
- 7) Connect the primary power cable to the primary side terminal of the earth leakage breaker.

⚠ CAUTION

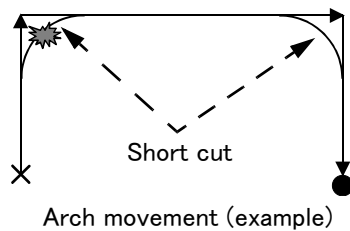
Be careful of interference with peripheral equipment.

Especially don't give a shock to the shaft (J3 axis). When you install the hand, be careful not to knock at the shaft end by the hammer etc. The shaft may be damaged.

Take care also of the following items.

(1) The robot's locus of movement may change with specified speed.

Especially as for the corner section, short cut distance may change. Therefore, when beginning automatic operation, moves at low speed at first, and you should gather speed slowly with being careful of interference with peripheral equipment.



(2) It can be confirmed whether the specified position exist in the defined area by using the instruction command "Zone". It can utilize as one of the methods for collision evasion. Refer to the "detailed description of the instructions manual/function, and operation" of the separate volume for the details of the instruction command.

Revision history

| Date of Print | Instruction Manual No. | Revision Details |
|---------------|------------------------|--|
| 2017-06-26 | BFP-A3539 | <ul style="list-style-type: none"> ▪ First print |
| 2018-06-01 | BFP-A3539-A | <ul style="list-style-type: none"> ▪ Description of countermeasures against unauthorized access was added. ▪ Mechanical stopper position in Fig 3-4 were corrected. |
| 2018-12-25 | BFP-A3539-B | <ul style="list-style-type: none"> ▪ Added further explanation of the ACIN cable. |
| 2019-04-19 | BFP-A3539-C | <ul style="list-style-type: none"> ▪ Installation dimensions in Fig. 2-4 was corrected. |
| 2020-01-24 | BFP-A3539-D | <ul style="list-style-type: none"> ▪ Revised "5.3.5 Replacing the bellows (Option)". |
| 2020-10-30 | BFP-A3539-E | <ul style="list-style-type: none"> ▪ Amended the precautions regarding the prevention of unauthorized access. ▪ Changed the number of screws for the J3 axis motor. (2 screws → 3 screws) ▪ Revised the steps for replacing the J3 axis timing belt. ▪ Corrected other mistakes and changed some sections. |
| 2021-04-01 | BFP-A3539-F | <ul style="list-style-type: none"> ▪ Added the Safety Communication Function Instruction Manual in "1.1.1 The details of each instruction manuals". |
| 2022-02-24 | BFP-A3539-G | <ul style="list-style-type: none"> ▪ Software version C2d supported. Added descriptions to "2.3.2 Turning ON the control power". Added the parameter HNDCHK to "Table 2-6: Hand parameter". |
| 2023-04-17 | BFP-A3539-H | <ul style="list-style-type: none"> ▪ Software version C2j supported. Added precautions to "5.6.4 User origin method". ▪ Corrected other mistakes and changed some sections. |
| 2023-09-14 | BFP-A3539-J | <ul style="list-style-type: none"> ▪ Added Caution to "5.3.7 (1) Replacing the battery of the robot arm". ▪ Changed some sections. |
| 2024-04-05 | BFP-A3539-K | <ul style="list-style-type: none"> ▪ Corrected mistakes and changed some sections.. |
| | | |

*Introduction

Thank you for purchasing the Mitsubishi industrial robot.

This instruction manual explains the method of unpacking, installation and maintenance and inspection of the robot arm.

Always read through this manual before starting use to ensure correct usage of the robot.

The information contained in this document has been written to be accurate as much as possible. Please interpret that items not described in this document "cannot be performed."

And, when maintenance and inspection of the robot, to access the arm and the base section is necessary. Please prepare the environment which can access the robot with the stepladder etc. in this robot.

This document explains for the following robot type.

Robot type · RH-1FRHR series

- No part of this manual may be reproduced by any means or in any form, without prior consent from Mitsubishi.
- The details of this manual are subject to change without notice.
- The information contained in this document has been written to be accurate as much as possible. Please interpret that items not described in this document "cannot be performed" or "error may occur". Please contact your nearest dealer if you find any doubtful, wrong or skipped point.
- This is the original document.
- Company names and production names in this document are the trademarks or registered trademarks of their respective owners.

CONTENTS

| | Page |
|--|------|
| 1 Before starting use | 1-1 |
| 1.1 Using the instruction manuals | 1-1 |
| 1.1.1 Details of each instruction manual | 1-1 |
| 1.1.2 Symbols used in instruction manual | 1-2 |
| 1.2 Safety Precautions | 1-3 |
| 1.2.1 Precautions given in the separate Safety Manual | 1-4 |
| 2 Unpacking to Installation | 2-6 |
| 2.1 Confirming the product | 2-6 |
| 2.2 Installation | 2-7 |
| 2.2.1 Unpacking | 2-7 |
| 2.2.2 Transportation procedures | 2-8 |
| (1) Transporting with a crane | 2-8 |
| (2) Transporting with a manual pallet jack | 2-9 |
| 2.2.3 Installation procedures | 2-10 |
| 2.2.4 Grounding procedures | 2-12 |
| (1) Grounding methods | 2-12 |
| (2) Grounding procedures | 2-12 |
| 2.2.5 Connecting with the controller | 2-13 |
| (1) Connection of robot arm and machine cable | 2-13 |
| (2) Connection of controller and machine cable | 2-15 |
| 2.2.6 Ethernet Cables | 2-16 |
| (1) No.2 arm | 2-16 |
| (2) Base area | 2-17 |
| 2.2.7 Passing air hoses and cables through the shaft | 2-19 |
| (1) Specifications of internal air hoses and cables | 2-19 |
| (2) Customer prepared products | 2-19 |
| (3) Installation procedure | 2-20 |
| 2.3 Confirming the operation | 2-22 |
| 2.3.1 Installing the teaching pendant (T/B) | 2-23 |
| 2.3.2 Turning ON the control power | 2-23 |
| 2.3.3 Preparing the T/B | 2-24 |
| (1) JOINT jog operation | 2-28 |
| (2) XYZ jog operation | 2-30 |
| (3) TOOL jog operation | 2-32 |
| (4) 3-axis XYZ jog operation | 2-34 |
| (5) CYLINDER jog operation | 2-36 |
| (6) Work jog operation | 2-38 |
| 2.3.4 Setting the hand parameters | 2-44 |
| 3 Installing the option devices | 3-45 |
| 3.1 Installing the solenoid valve set | 3-45 |
| 3.2 Installing the hand input cable | 3-47 |
| 3.3 Installing the hand output cable | 3-48 |
| 3.4 Changing the operating range | 3-49 |
| (1) Operating range changeable angle | 3-49 |
| (2) The change method of the operating range | 3-50 |
| 3.5 Hand internal wiring and piping set | 3-51 |
| (1) Installation procedure | 3-51 |
| 3.6 External Wiring and Piping Box | 3-54 |
| 3.7 Installing the vacuum valve set | 3-57 |
| 3.8 Connector protection when the option devices are installed | 3-59 |
| 4 Basic operations | 4-61 |
| 5 Maintenance and Inspection | 5-62 |

CONTENTS

| | Page |
|--|--------------|
| 5.1 Type of inspection and maintenance works | 5-62 |
| 5.2 Inspection items | 5-63 |
| 5.2.1 Daily inspection items | 5-63 |
| 5.2.2 Periodic inspection | 5-64 |
| (1) Inspection item | 5-64 |
| (2) Schedule | 5-65 |
| 5.3 Maintenance and inspection procedures | 5-66 |
| 5.3.1 Robot arm structure | 5-66 |
| 5.3.2 Installing/removing the cover | 5-67 |
| 5.3.3 Packing Replacement Procedure | 5-68 |
| (1) Packing Replacement Instructions | 5-68 |
| 5.3.4 Inspection replacement of timing belt | 5-72 |
| (1) Timing belt replacement period | 5-73 |
| (2) Timing belt tension measurement | 5-74 |
| (3) Inspecting the J3 axis timing belt | 5-75 |
| (4) Replacing the J3 axis timing belt | 5-76 |
| (5) Inspecting the J4 axis timing belt | 5-79 |
| (6) Timing belt tension | 5-80 |
| (7) Amount of movement of each axis during the timing belt tension measurement | 5-81 |
| 5.3.5 Replacing the bellows (Option) | 5-82 |
| 5.3.6 Lubrication | 5-83 |
| (1) Lubrication position and specifications | 5-83 |
| 5.3.7 Replacing the backup battery | 5-85 |
| (1) Replacing the battery of the robot arm | 5-86 |
| 5.4 About Overhaul | 5-87 |
| 5.5 Maintenance parts | 5-88 |
| 5.6 Resetting the origin | 6-89 |
| 5.6.1 Setting the origin with the origin data input method | 6-90 |
| (1) Confirming the origin data | 6-90 |
| (2) Selecting the origin setting method | 6-91 |
| (3) Inputting the origin data | 6-92 |
| (4) Installing the cover | 6-93 |
| 5.6.2 Jig method | 5-94 |
| (1) J1 axis origin setting | 5-95 |
| (2) J2 axis origin setting | 5-97 |
| (3) J3 and J4 axis origin setting | 5-99 |
| 5.6.3 ABS origin method | 5-102 |
| (1) Origin setting procedure | 5-103 |
| 5.6.4 User origin method | 5-104 |
| 5.6.5 Recording the origin data | 5-106 |
| (1) Confirming the origin data label | 5-106 |
| (2) Confirming the origin data | 5-106 |
| (3) Recording the origin data | 5-106 |
| (4) Installing the cover | 5-106 |
| 5.7 How to release the brake in an emergency | 5-107 |
| 6Appendix | Appendix-109 |
| Appendix 1 : Configuration flag | Appendix-109 |

1 Before starting use

This chapter explains the details and usage methods of the instruction manuals, the basic terminology and the safety precautions. Moreover, handling and operation of a teaching pendant (T/B) are described based on R32TB in instruction manuals. If using other T/B, such as R56TB, refer to a supplied instruction manual of the T/B.

1.1 Using the instruction manuals

1.1.1 Details of each instruction manual

The contents and purposes of the documents enclosed with this product are shown below. Use these documents according to the application.




For special specifications, a separate instruction manual describing the special section may be enclosed.

| Manual name | Description |
|--|---|
| Safety Manual | Explains the common precautions and safety measures to be taken for robot handling, system design and manufacture to ensure safety of the operators involved with the robot. |
| Special Specifications | Explains the product's standard specifications, factory-set special specifications, option configuration and maintenance parts, etc. Precautions for safety and technology, when incorporating the robot, are also explained. |
| Robot Arm Setup & Maintenance | Explains the procedures required to operate the robot arm (unpacking, transportation, installation, confirmation of operation), and the maintenance and inspection procedures. |
| Controller setup, basic operation, and maintenance | Explains the procedures required to operate the controller (unpacking, transportation, installation, confirmation of operation), basic operation from creating the program to automatic operation, and the maintenance and inspection procedures. |
| Detailed explanations of functions and operations | Explains details on the functions and operations such as each function and operation, commands used in the program, connection with the external input/output device, and parameters, etc. |
| Troubleshooting | Explains the causes and remedies to be taken when an error occurs. Explanations are given for each error No. |
| Additional axis function | Explains the specifications, functions and operations of the additional axis control. |
| Tracking Function | Explains the control function and specifications of conveyor tracking. |
| GOT Direct Connection Extended Function | Explains the detailed description of data configuration of shared memory, monitoring, and operating procedures about the GOT (standalone type robot). |
| iQ Platform Supporting Extended Function | Explains the detailed description of data configuration of shared memory, monitoring, and operating procedures about the PLC (iQ Platform compatible type robot). |
| Safety communication function | Explains about the safety communication function which expands the robot safety functions by communicating safely with a safety programmable controller. |
| Ethernet Function | Explains the measures to perform communication with personal computers on Ethernet with the TCP/IP protocol. |

1.1.2 Symbols used in instruction manual

The symbols and expressions shown in Table 1-1 are used throughout this instruction manual. Learn the meaning of these symbols before reading this instruction manual.

Table 1-1: Symbols in instruction manual

| Terminology | Item/Symbol | Meaning |
|-------------|--|---|
| Item | iQ Platform compatible type | |
| | Controller | Indicates the controller which controls the robot arm. |
| | The robot CPU unit or robot CPU | Indicates the CPU unit for the robots which installed to the sequencer base unit of MELSEC iQ-R series. It is connected with the controller by the dedicated cable. |
| | The robot CPU system | Multi-CPU system. It consists of MELSEC units, such as the sequencer base unit, the sequencer CPU unit, and the robot CPU unit, etc. |
| | Standalone type | |
| | Controller | Indicates the controller which controls the robot arm. |
| Symbol |  DANGER | Precaution indicating cases where there is a risk of operator fatality or serious injury if handling is mistaken. Always observe these precautions to safely use the robot. |
| |  WARNING | Precaution indicating cases where the operator could be subject to fatalities or serious injuries if handling is mistaken. Always observe these precautions to safely use the robot. |
| |  CAUTION | Precaution indicating cases where operator could be subject to injury or physical damage could occur if handling is mistaken. Always observe these precautions to safely use the robot. |
| | [JOG] | If a word is enclosed in brackets or a box in the text, this refers to a key on the teaching pendant. |
| | [RESET] + [EXE] (A) (B) | This indicates to press the (B) key while holding down the (A) key. In this example, the [RESET] key is pressed while holding down the [EXE] key. |
| | T/B | This indicates the teaching pendant. Descriptions in this manual are based on R32TB. |

1.2 Safety Precautions

Always read the following precautions and the separate "Safety Manual" before starting use of the robot to learn the required measures to be taken.

- ⚠ CAUTION** All teaching work must be carried out by an operator who has received special training. (This also applies to maintenance work with the power source turned ON.)
Enforcement of safety training
- ⚠ CAUTION** For teaching work, prepare a work plan related to the methods and procedures of operating the robot, and to the measures to be taken when an error occurs or when restarting. Carry out work following this plan. (This also applies to maintenance work with the power source turned ON.)
Preparation of work plan
- ⚠ WARNING** Prepare a device that allows operation to be stopped immediately during teaching work. (This also applies to maintenance work with the power source turned ON.)
Setting of emergency stop switch
- ⚠ CAUTION** During teaching work, place a sign indicating that teaching work is in progress on the start switch, etc. (This also applies to maintenance work with the power source turned ON.)
Indication of teaching work in progress
- ⚠ DANGER** Provide a fence or enclosure during operation to prevent contact of the operator and robot.
Installation of safety fence
- ⚠ CAUTION** Establish a set signaling method to the related operators for starting work, and follow this method.
Signaling of operation start
- ⚠ CAUTION** As a principle turn the power OFF during maintenance work. Place a sign indicating that maintenance work is in progress on the start switch, etc.
Indication of maintenance work in progress
- ⚠ CAUTION** Before starting work, inspect the robot, emergency stop switch and other related devices, etc., and confirm that there are no errors.
Inspection before starting work

1.2.1 Precautions given in the separate Safety Manual

The points of the precautions given in the separate "Safety Manual" are given below. Refer to the actual "Safety Manual" for details.

 **DANGER**

When automatic operation of the robot is performed using multiple control devices (GOT, programmable controller, push-button switch), the interlocking of operation rights of the devices, etc. must be designed by the customer.

 **CAUTION**

Use the robot within the environment given in the specifications. Failure to do so could lead to a drop or reliability or faults. (Temperature, humidity, atmosphere, noise environment, etc.)

 **CAUTION**

Transport the robot with the designated transportation posture. Transporting the robot in a non-designated posture could lead to personal injuries or faults from dropping.

 **CAUTION**

Always use the robot installed on a secure table. Use in an instable posture could lead to positional deviation and vibration.

 **CAUTION**

Wire the cable as far away from noise sources as possible. If placed near a noise source, positional deviation or malfunction could occur.

 **CAUTION**

Do not apply excessive force on the connector or excessively bend the cable. Failure to observe this could lead to contact defects or wire breakage.

 **CAUTION**

Make sure that the workpiece weight, including the hand, does not exceed the rated load or tolerable torque. Exceeding these values could lead to errors or faults.

 **WARNING**

Securely install the hand and tool, and securely grasp the workpiece. Failure to observe this could lead to personal injuries or damage if the object comes off or flies off during operation.

 **WARNING**

Securely ground the robot and controller. Failure to observe this could lead to malfunctioning by noise or to electric shock accidents.

 **CAUTION**

Indicate the operation state during robot operation. Failure to indicate the state could lead to operators approaching the robot or to incorrect operation.

 **WARNING**

When carrying out teaching work in the robot's movement range, always secure the priority right for the robot control. Failure to observe this could lead to personal injuries or damage if the robot is started with external commands.

 **CAUTION**

Keep the jog speed as low as possible, and always watch the robot. Failure to do so could lead to interference with the workpiece or peripheral devices.

 **CAUTION**

After editing the program, always confirm the operation with step operation before starting automatic operation. Failure to do so could lead to interference with peripheral devices because of programming mistakes, etc.

 **CAUTION**

Make sure that if the safety fence entrance door is opened during automatic operation, the door is locked or that the robot will automatically stop. Failure to do so could lead to personal injuries.

 **CAUTION**

Never carry out modifications based on personal judgments, or use non-designated maintenance parts. Failure to observe this could lead to faults or failures.

 **WARNING**

When the robot arm has to be moved by hand from an external area, do not place hands or fingers in the openings. Failure to observe this could lead to hands or fingers catching depending on the posture.

⚠ CAUTION

Do not stop the robot or apply emergency stop by turning the robot controller's main power OFF.
If the robot controller main power is turned OFF during automatic operation, the robot accuracy could be adversely affected.

⚠ CAUTION

Do not turn off the main power to the robot controller while rewriting the internal information of the robot controller such as the program or parameters. If the main power to the robot controller is turned off while in automatic operation or rewriting the program or parameters, the internal information of the robot controller may be damaged.

⚠ CAUTION

Do not connect the Handy GOT when using the GOT direct connection function of this product. Failure to observe this may result in property damage or bodily injury because the Handy GOT can automatically operate the robot regardless of whether the operation rights are enabled or not.

⚠ DANGER

Do not connect the Handy GOT to a programmable controller when using an iQ Platform compatible product with the CR800-R/CR800-Q controller. Failure to observe this may result in property damage or bodily injury because the Handy GOT can automatically operate the robot regardless of whether the operation rights are enabled or not.

⚠ DANGER

Do not remove the SSCNET III cable while power is supplied to the multiple CPU system or the servo amplifier. Do not look directly at light emitted from the tip of SSCNET III connectors or SSCNET III cables of the Motion CPU or the servo amplifier. Eye discomfort may be felt if exposed to the light. (Reference: SSCNET III employs a Class 1 or equivalent light source as specified in JIS C 6802 and IEC60825-1 (domestic standards in Japan).)

⚠ DANGER

Do not remove the SSCNET III cable while power is supplied to the controller. Do not look directly at light emitted from the tip of SSCNET III connectors or SSCNET III cables. Eye discomfort may be felt if exposed to the light. (Reference: SSCNET III employs a Class 1 or equivalent light source as specified in JIS C 6802 and IEC60825-1 (domestic standards in Japan).)

⚠ DANGER

Attach the cap to the SSCNET III connector after disconnecting the SSCNET III cable. If the cap is not attached, dirt or dust may adhere to the connector pins, resulting in deterioration connector properties, and leading to malfunction.

⚠ CAUTION

Make sure there are no mistakes in the wiring. Connecting differently to the way specified in the manual can result in failures, such as the emergency stop not being released. In order to prevent from occurring, please be sure to check that all functions (such as the teaching box emergency stop, customer emergency stop, and door switch) are working properly after the wiring setup is completed

⚠ CAUTION

Use the network equipments (personal computer, USB hub, LAN hub, etc) confirmed by manufacturer. The thing unsuitable for the FA environment (related with conformity, temperature or noise) exists in the equipments connected to USB. When using network equipment, measures against the noise, such as measures against EMI and the addition of the ferrite core, may be necessary. Please fully confirm the operation by customer. Guarantee and maintenance of the equipment on the market (usual office automation equipment) cannot be performed.

⚠ CAUTION

To maintain the security (confidentiality, integrity, and availability) of the robot and the system against unauthorized access, DoS^{*1} attacks, computer viruses, and other cyberattacks from unreliable networks and devices via network, take appropriate measures such as firewalls, virtual private networks (VPNs), and antivirus solutions.

Mitsubishi Electric shall have no responsibility or liability for any problems involving robot trouble and system trouble by unauthorized access, DoS attacks, computer viruses, and other cyberattacks.

*1 DoS: A denial-of-service (DoS) attack disrupts services by overloading systems or exploiting vulnerabilities, resulting in a denial-of-service (DoS) state.

2 Unpacking to Installation

2.1 Confirming the product

The standard configuration of the robot arm, part of the purchased product, is shown in [Table 2-1](#).

Confirm the parts.

Users who have purchased optional products should refer to the separate “Special Specifications”.

Table 2-1 : Standard configuration

| No. | Part name | Type | Qty. | Remarks |
|-----|---------------------------------------|-----------------|--------|------------------------------|
| 1 | Robot arm | RH-1FRHR series | 1 unit | |
| 2 | Installation bolts | M12 x 45 | 4 pcs. | For robot arm installation |
| 3 | Spring washer for installation bolts | For M12 | 4 pcs. | |
| 4 | Plain washer for installation bolts | For M12 | 4 pcs. | |
| 5 | Fixing plate | | 1 set | For robot arm transportation |
| 6 | Fixing plate installation bolt | | 1 set | |
| 7 | Transportation tool | | 1 set | |
| 8 | Transportation tool installation bolt | | 1 set | |

2.2 Installation



Install the robot with a safety fence or enclosure around it. Otherwise, operators may be injured due to unintended access to the robot.

2.2.1 Unpacking

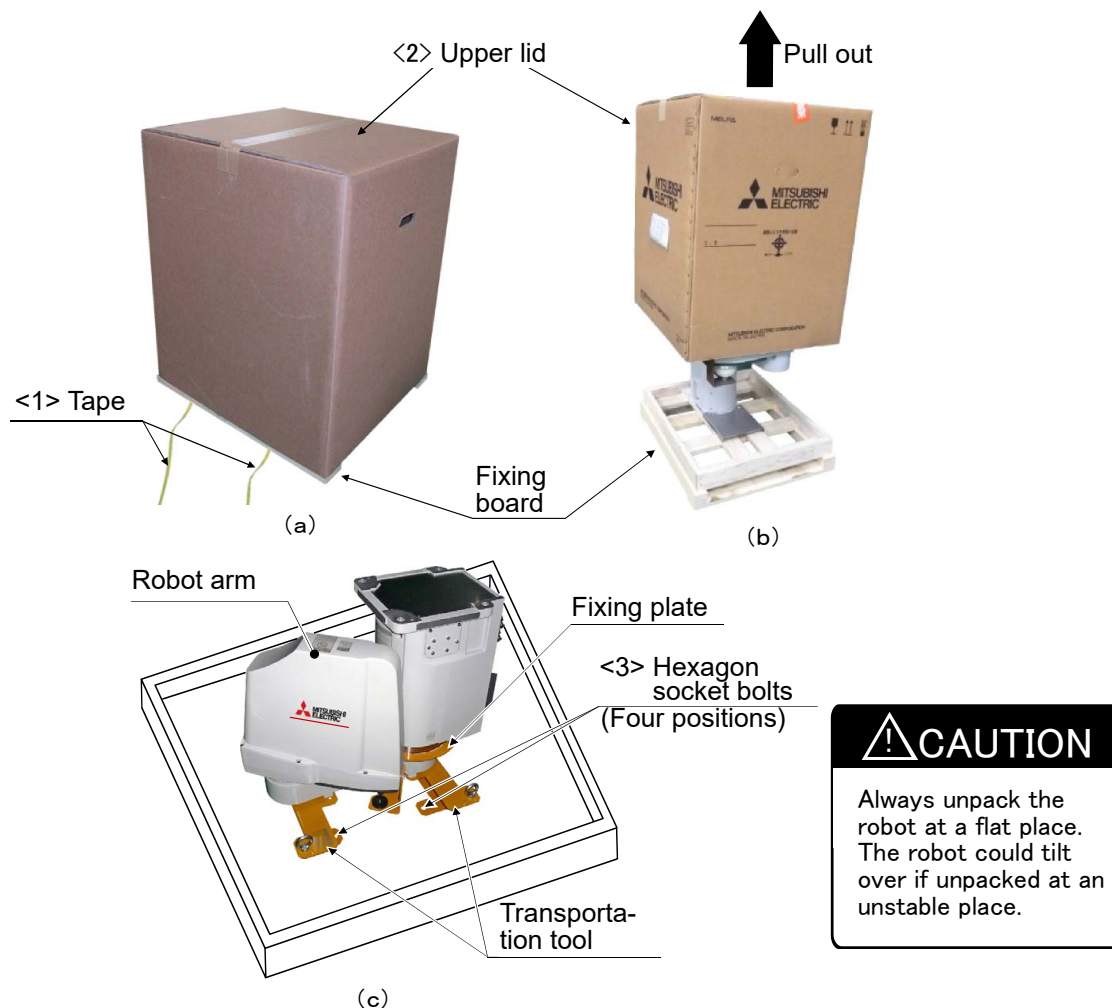


Fig.2-1 : Unpacking the robot arm

The robot is shipped from the factory in cardboard and plywood frame packing. Always refer to Fig. 2-1 and unpack the robot.

Handle the robot arm according to "2.2.2 Transportation procedures".



Always unpack the robot at a flat place. The robot could tilt over if unpacked at an unstable place.

The unpacking process is shown below.

- 1) Using a knife, etc., slit the tape <1> fixing the upper lid <2> of the cardboard box. (Fig. 2-1 (a))
- 2) Pull the upper lid <2> of the cardboard box off with both hands. (Fig. 2-1 (b))
- 3) Remove the hexagon socket bolts <3> (four positions) which fix the robot. (Fig. 2-1 (c))

This completes the unpacking.

Note) The robot must be transported without removing the fixing plate. Remove after installing.



When repackaging the robot in the wooden frame, always use the fixing plate.

2.2.2 Transportation procedures

(1) Transporting with a crane

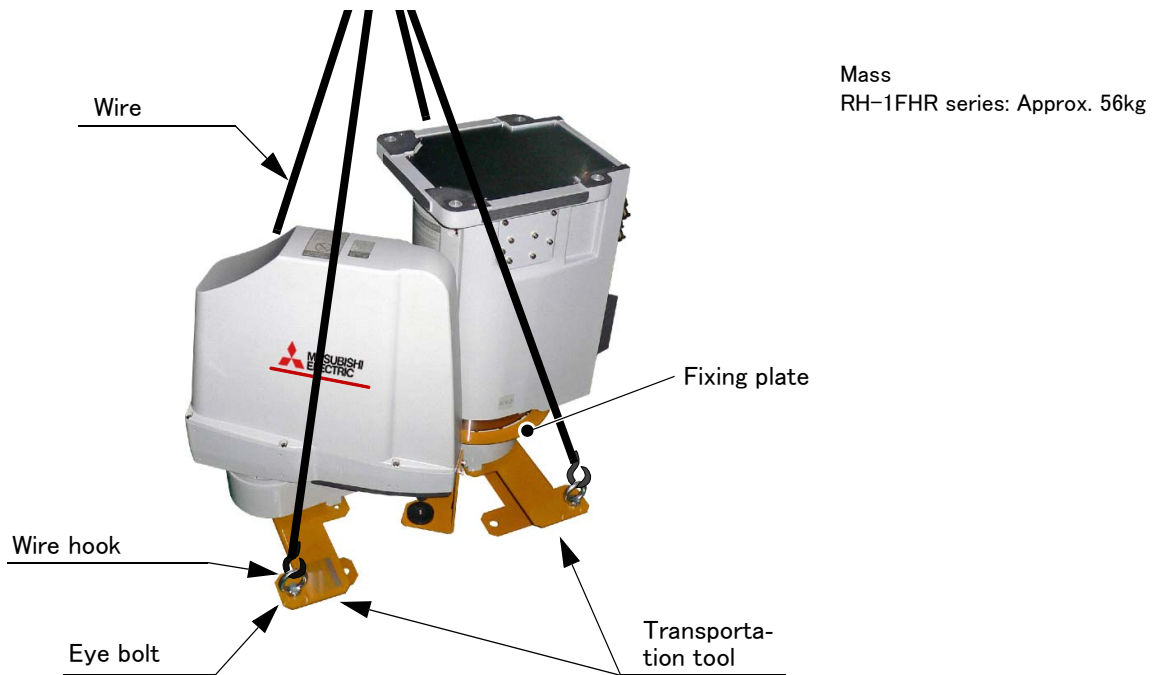


Fig.2-2 : Transportation of robot arm

- 1) Hook the wires to each of the four eyebolts attached to the transportation tool. (Make sure the bolts are securely hooked.)
- 2) Lift with a crane to transport the robot to the designated location.
- 3) At this time, make sure that the wires, etc., do not interfere with the robot arm or the covers. Always place the cloth, etc., at interfering places.
- 4) Be careful not to subject the robot to physical shock during transport.
- 5) After installing the robot (refer to [Page 10, "2.2.3 Installation procedures"](#)), remove the wires, the wire hooks, transportation tool and fixing plate.
- 6) Always follow the above procedures and methods to transport the robot for secondary transportation, such as when changing the installation position.

If the arm is directly suspended without using the specified transportation tool, or if it is suspended in the work posture, the configuration devices could be damaged, and the transportation workers will be subject to risk due to an inadequate center of gravity position.

CAUTION When transporting a robot, always attach four wires.

CAUTION To reattach the fixing plate again, set the axes of the robot to the positions according to [Table 2-2](#).

CAUTION The robot should keep vertical. (not be horizontal)
It becomes the cause of the grease leakage or the trouble.

(2) Transporting with a manual pallet jack



Fig.2-3 : Transportation of robot arm

- 1) Insert the forks of a manual pallet jack surely into the fork insertion segment of the transportation tool.
 - 2) Lift up the robot with a manual pallet jack to transport it to the designated location.
 - 3) Be careful not to subject the robot to physical shock during transport.
 - 4) After installing the robot (refer to [Page 10, "2.2.3 Installation procedures"](#)), pull out the forks and remove the transportation tool and fixing plate.
 - 5) Always follow the above procedures and methods to transport the robot for secondary transportation, such as when changing the installation position.
- If the arm is directly lift up without using the specified transportation tool, or if it is lifted up in the work posture, the configuration devices could be damaged, and the transportation workers will be subject to risk due to an inadequate center of gravity position.

CAUTION

To reattach the fixing plate again, set the axes of the robot to the positions according to [Table 2-2](#).

CAUTION

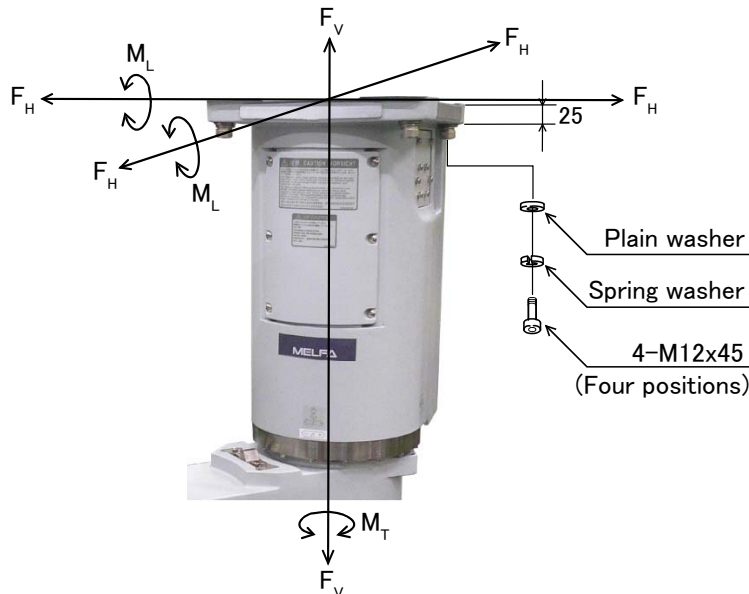
The robot should keep vertical. (not be horizontal)
It becomes the cause of the grease leakage or the trouble.

Table 2-2 : Transportation posture

| Axis | Posture |
|------|-----------|
| J1 | 0° |
| J2 | 145° |
| J3 | -480mm |
| J4 | Not fixed |

2.2.3 Installation procedures

The installation procedure of the robot arm is shown below.



<Detail of installation dimension>
(Base section of a robot arm)

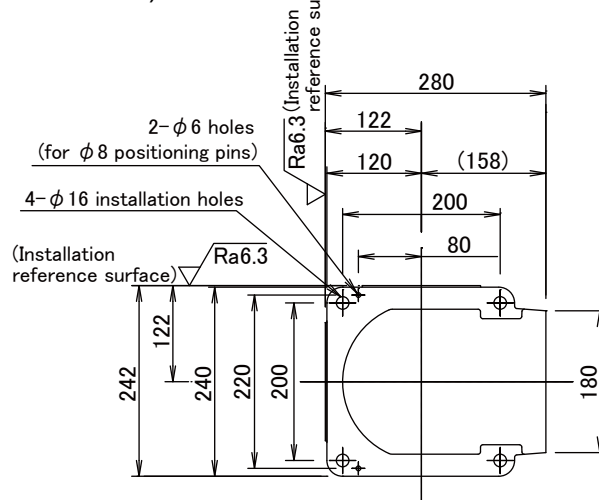


Fig.2-4 : Installation dimensions

- 1) The robot installation surface has been machine finished. Use the installation holes (4-φ 16 holes) opened at the four corners of the base, and securely fix the robot with the enclosed installation bolts (hexagon socket bolts). (Recommended tightening torque: 92.1 N · m)
- 2) Install the robot on a level surface.
- 3) It is recommended that the surface roughness of the table onto which the robot is to be installed by 6.3 Ra or more. If the installation surface is rough, the contact with the table will be poor, and positional deviation could occur when the robot moves.
- 4) When installing, use a common table to prevent the position of the devices and jigs subject to robot work from deviating.
- 5) The installation surface must have sufficient strength to withstand the arm reaction during operation, and resistance against deformation and vibration caused by the static (dynamic) load of the robot arm and peripheral devices, etc.
- 6) After installing the robot, remove the fixing plate and transportation tool.
- 7) If you operate the robot at a high speed, reaction forces are applied to the installation stand by the robot's operation. Make sure that the installation stand on which the robot is placed has sufficient strength and

rigidity. Table 2-3 shows the maximum reaction force (design values) that may be applied to an installation stand. Please use these values as reference when designing the installation stand.

Table 2-3 : Magnitude of each reaction force

| Item | Unit | Value |
|--|-------|-------|
| Tilt moment : M_L | N · m | 610 |
| Torsional moment : M_T | N · m | 807 |
| Horizontal direction translation force : F_H | N | 1,575 |
| Vertical direction translation force : F_V | N | 712 |

⚠ CAUTION

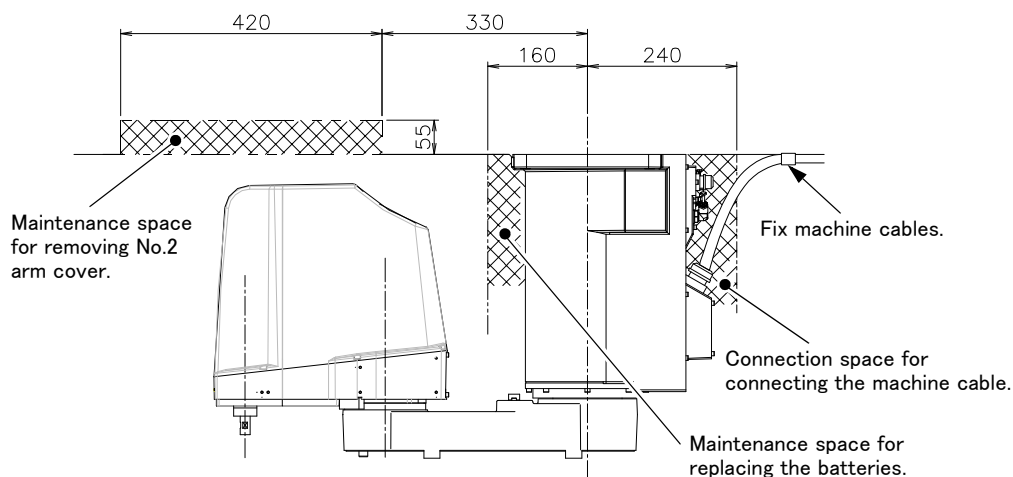
When installing the robot, secure following space.

- Connection space for connecting machine cables behind the robot.
- Maintenance space for replacing the batteries in front of the robot.
- Maintenance space for removing No.2 arm cover above the robot.

And don't install the robot arm in the position where direct rays or the heat of lighting hits. The skin temperature of the robot arm may rise, and the error may occur.

⚠ CAUTION

When leading machine cables, fix cables in the position near connectors as much as possible not to apply excessive force or the cable's weight on the connectors.



⚠ CAUTION

This robot is hanging installation type. Do not put the robot in an inverted position. It may cause oil leakage or faults.

2.2.4 Grounding procedures

(1) Grounding methods

- 1) There are three grounding methods as shown in Fig. 2-5, but the dedicated grounding (Fig. 2-5 (a)) should be used for the robot arm and controller when possible. (Refer to the separate "Controller Setup, Basic Operation and Maintenance" for details on the controller grounding.)
- 2) Use Class D grounding (grounding resistance 100Ω or less). Dedicated grounding separated from the other devices should be used.
- 3) Use a AWG#11(4.2mm²) or more stranded wire for the grounding wire. The grounding point should be as close to the robot arm and controller as possible, and the length of the grounding wire should be short.

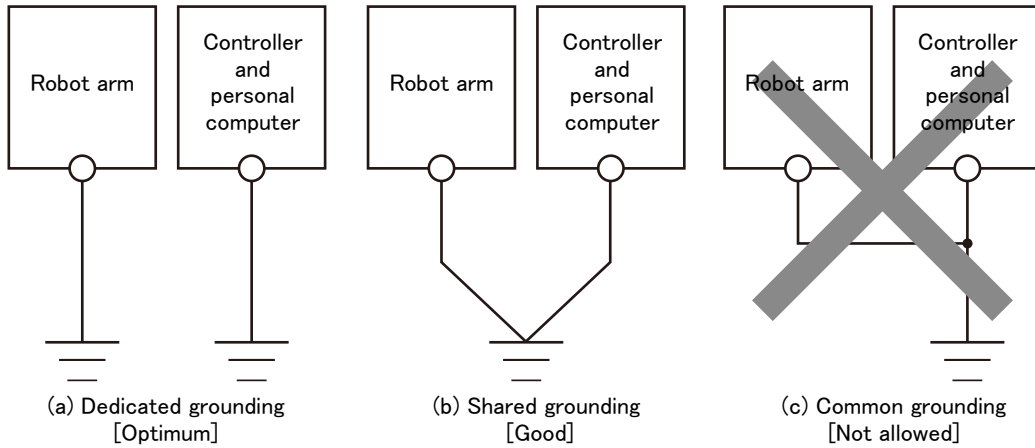


Fig.2-5 : Grounding methods

(2) Grounding procedures

- 1) Prepare the grounding cable (AWG#11 (4.2mm²) or more) and robot side installation screw and washer.
- 2) If there is rust or paint on the grounding screw section (A), remove it with a file, etc.
- 3) Connect the grounding cable to the grounding screw section.

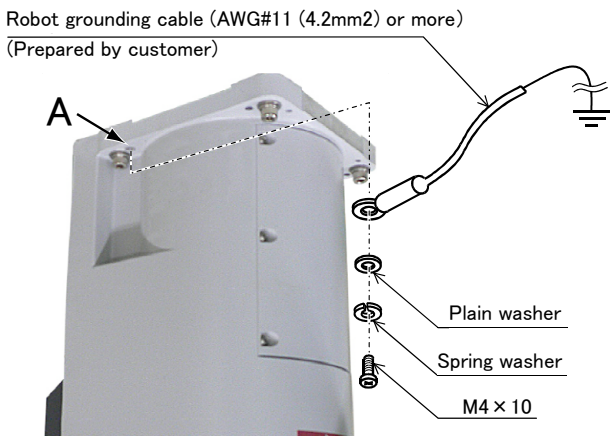


Fig.2-6 : Connecting the grounding cable

2.2.5 Connecting with the controller

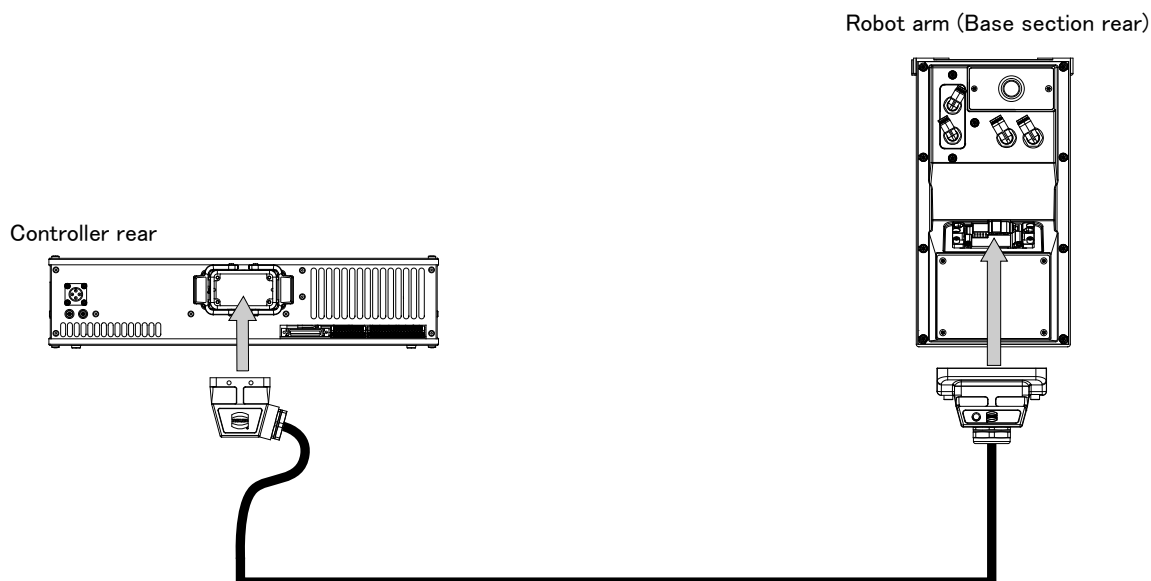
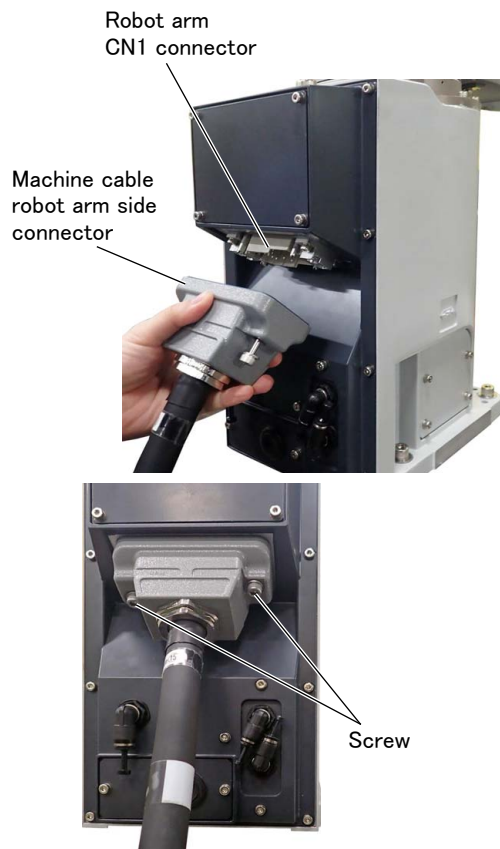


Fig.2-7 : Connecting the machine cables

Carry out the following procedure after installing the controller referring to the separate "Controller Setup, Basic Operation and Maintenance" manual.

(1) Connection of robot arm and machine cable



1) Make sure that the power of the controller is turned OFF.

2) Connect the machine cable to CN1 connector on the robot arm.

Note) RH-6FRH series is shown. The same connection method is also applicable to other models with the same-shaped connector.

Insert the connector until the connector edge is aligned with the CONBOX surface and tighten two bolts.

(Screw fixing torque: 3.6 to 4.4 Nm)

CAUTION Be careful not to get your hand pinched.

Connecting the machine cable is completed.

CAUTION When installing or removing the connector, to the connector of the other party in parallel, install or remove.

If load strong against one side is applied, the connector pin may be damaged and it may not be connected securely.



CAUTION

The machine cable connectors are dedicated for the controller side and robot arm side, so take special care when connecting.

If connected incorrectly, the connector pins could bend or break. Thus, even if connected correctly, the robot will not operate correctly, creating a dangerous situation.



CAUTION

Take special care to the leading of the connection cable. If the cable is pulled with force or bent excessively, wires could break or the connector could be damaged.



CAUTION

Connect the machine cable at the place without the effect of the dust or oil mist. Please keep the dust and oil mist from being applied to of the robot arm connector section, in the condition that the machine cable is removed. Since it becomes the cause of failure.

Before disconnecting the machine cable, wipe off dust and oil mist around the connector.



CAUTION

Please be careful not to catch the hand at installation and removal.

To disconnect the machine cable, hold the connector part and pull out the cable. Pulling the cable part may cause the cable to come off or break.

(2) Connection of controller and machine cable

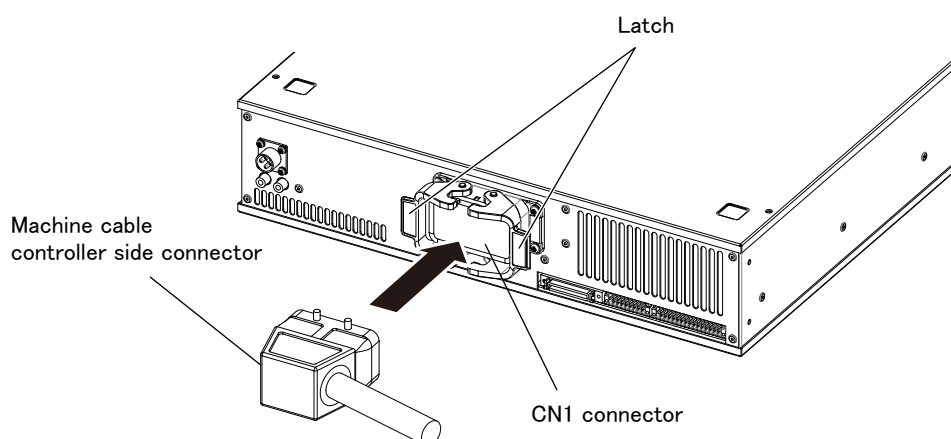


Fig.2-8 : Connecting with the controller

- 1) Make sure that the power of the controller is turned OFF.
- 2) Connect the controller side connector of the machine cable to CN1 connector on the rear side of the controller.
- 3) To fix the inserted connector, close the latches of the CN1 connector.

CAUTION When connecting and disconnecting the connector, be careful not to get your hand pinched.

CAUTION When installing or removing the connector, to the connector of the other party in parallel, install or remove.
If load strong against one side is applied, the connector pin may be damaged and it may not be connected securely.

CAUTION To disconnect the cable, open the latches, hold the connector part, and pull out the cable. Pulling the cable part may cause the cable to come off or break.

CAUTION The machine cable connectors are dedicated for the controller side and robot arm side, so take special care when connecting.
If connected incorrectly, the connector pins could bend or break. Thus, even if connected correctly, the robot will not operate correctly, creating a dangerous situation.

CAUTION Take special care to the leading of the connection cable. If the cable is pulled with force or bent excessively, wires could break or the connector could be damaged.

CAUTION Connect the machine cable at the place without the effect of the dust or oil mist. Please keep the dust and oil mist from being applied to of the robot arm connector section, in the condition that the machine cable is removed. Since it becomes the cause of failure.

2.2.6 Ethernet Cables

Ethernet cables (4 pairs, totaling 8 lines, of AWG#26 (0.13mm²) cabtyre cables) are installed within the robot arm from the base unit up to the No. 2 arm, and can be used.

LAN connectors are mounted to both ends of the cables, and can therefore be used to connect to LAN connection devices. Users may also remove the LAN connectors, replace them with their own connectors, and use them as spare wiring by connecting them to user supplied cables.

Further, when passing through the inside of the shaft and using, please use the optional hand internal wiring and piping set in order to prevent the cable disconnection. (Re-cover the connector of the hand input cable that is attached to this option before using)

(1) No.2 arm

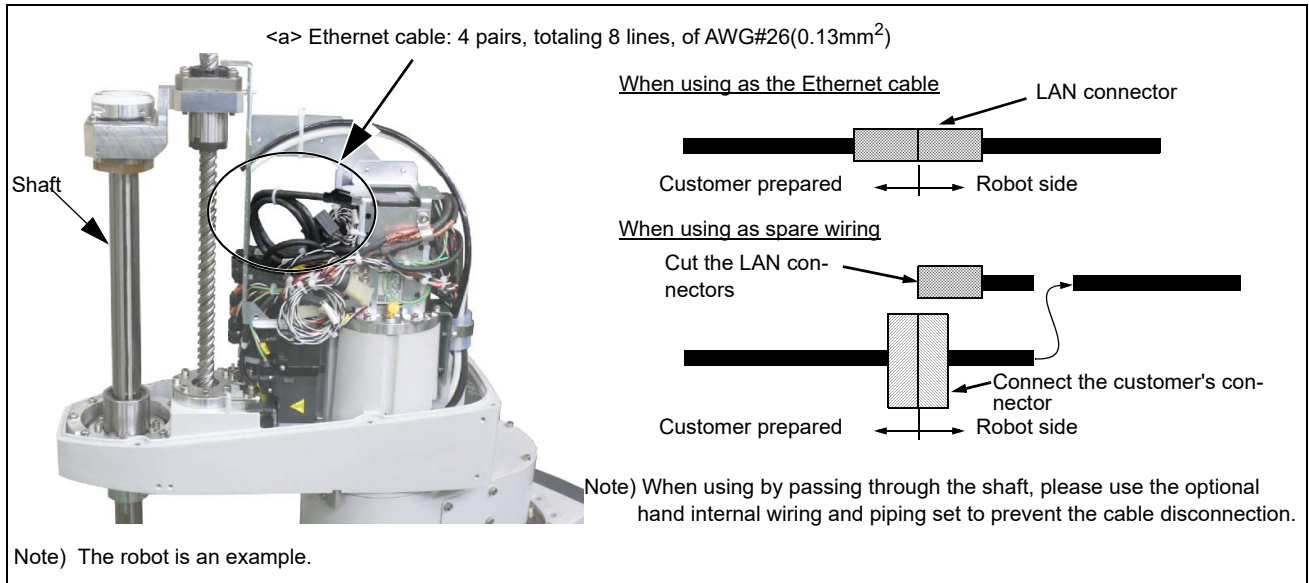


Fig.2-9 : Pulling out the Ethernet cable

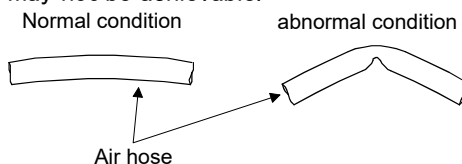
How to connect the Ethernet cable is shown below.

- 1) Remove the screws used to fix the No. 2 arm cover U, and then remove the No. 2 arm cover U.
- 2) Ethernet cables are located in the positions shown in Fig. 2-9 <a> (coiled and stored).
- 3) Remove the tying band used to coil the Ethernet cable.
- 4) Connect the cable on the customer supplied tool.
(When using as spare wiring please remove the LAN connectors and replace with customer's connector)
- 5) It is possible to use the optional hand internal wiring and piping set to feed the tool cable through the inside of the shaft.
Replace the connector of the hand input cable that is attached to the hand wiring and piping set, and then connect. Please reference Page 51, "3.5 Hand internal wiring and piping set".
- 6) After the optional hand wiring and piping set has been installed, install the No. 2 arm cover U to its original position. When installing the cover please take care not to damage the spongy sealant material.

Connection of the Ethernet cables on the No. 2 arm is completed.

⚠ CAUTION

When installing the No. 2 arm cover U to its original position please take care not to trap any cables or air hoses. If the cables/hoses are trapped when fixing the cover then cables may be disconnected or hoses punctured, leading to the robot and air driving devices to not operate properly. The sealing property of the packing may also become seriously impaired and there is a risk that the specified level of product protection may not be achievable.



⚠ CAUTION

When fixing the cable, please keep too much load from being applied to the cables. If too much load is applied, they may break when the robot moves.

⚠ CAUTION

When operating the robot, friction may result in dust being generated from the tip of the shaft.

When an optional bellows set has been installed to the robot and then required cleanliness, be sure to seal the shaft tip with a gasket. If this is not done there is a risk that the level of cleanliness will be reduced.

(2) Base area

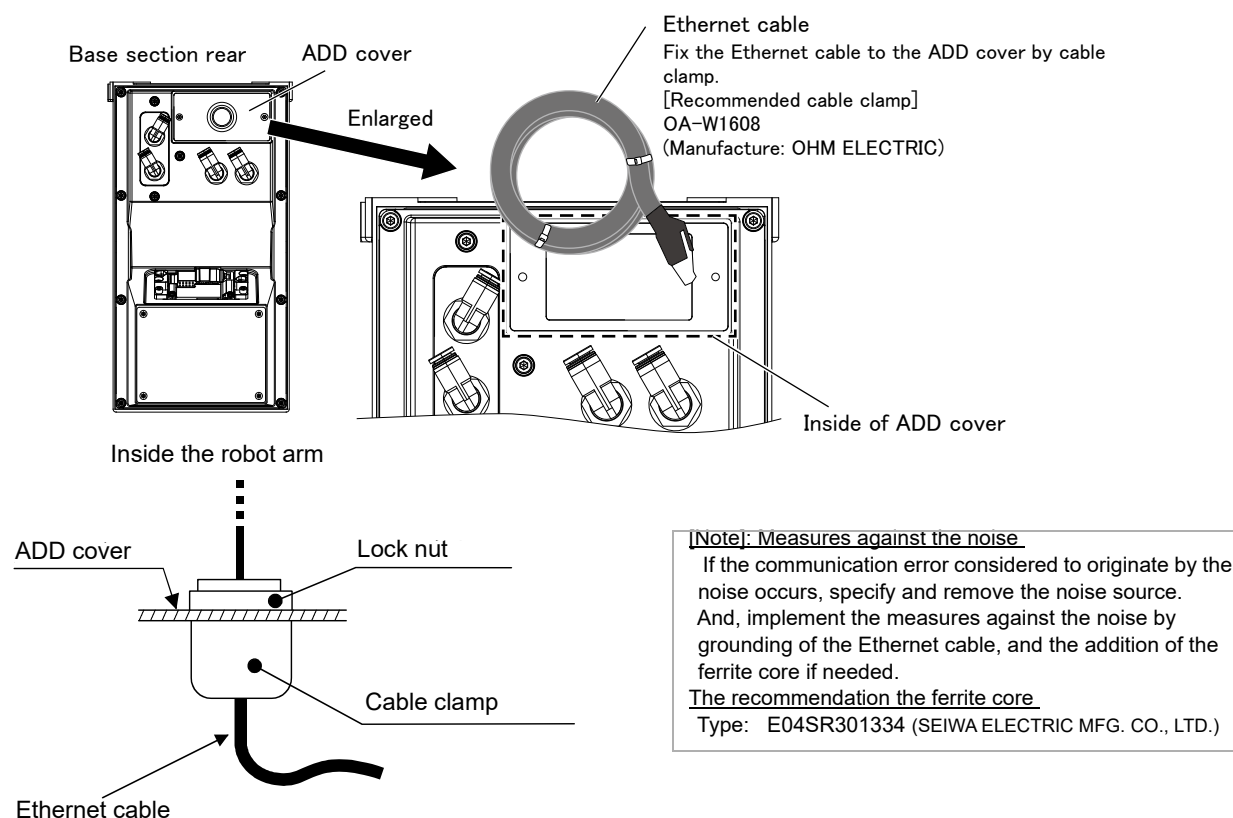


Fig.2-10 : Pull out the Ethernet cable (Base side)

- 1) Loosen the two screws and remove the ADD cover located at the back of the robot base.
- 2) Pull out the Ethernet cable that is stored inside the cover (coiled and stored).
- 3) Remove the cable tie of Ethernet cable.
- 4) Remove the lock nut attached to the cable clamp (customer prepared) and pass through the Ethernet cable

- 5) Remove the grommet of ADD cover. After removing the grommet please remove the sealant material that remains in the hole in the plate.
- 6) Feed the Ethernet cable through the hole that was created by removing the grommet.
- 7) Feed the end of the Ethernet cable through the cable clamp and securely fasten the ADD cover with the lock nut.
- 8) Install the ADD cover in its original position. When installing the cover please take care not to damage the spongy sealing material stuck to the hole.

 **CAUTION**

Take care against applying big force to the Ethernet cable, other cables, and the air hose.

 **CAUTION**

Please confirm not having broken or not having stripped the packing when installing or removing the cover. Contact to the dealer. Failure will be caused if the robot is used under the condition that the packing is broken or stripped, because oil mist etc. will invade in the arm.

 **CAUTION**

When ADD cover is installed, please keep too much load from being applied to the cables and the air hoses. If too much load is applied, the cable will be broken and the hose is bent, therefore robot and pneumatic drive equipment cannot operate normally.

 **CAUTION**

When ADD cover is installed, catch neither the cable nor the air hose. If the bolt is tightened while it had been caught, the cable will be broken and the hose is bent, and the robot and pneumatic drive equipment cannot operate normally. Moreover, packing does not stick securely and protection specification cannot be secured.

2.2.7 Passing air hoses and cables through the shaft

For this robot, customer prepared air hoses and cables can be pulled out from the No. 2 arm by passing through the shaft. For how to pass air hoses and cables through the shaft, refer to the following.

(1) Specifications of internal air hoses and cables

Use the air hoses and the cables, which have flexibility, capability of being repeatedly bent and twisted, and high wear resistance, for the internal use.

Select the air hose and the cable according to the specifications shown in [Table 2-4](#).

Table 2-4 : Specifications of internal air hoses and cables

| Model | Shaft inside diameter | Space factor (recommended) | Highest speed of J3 axis | Minimum R of bending | Operating angle of J4 axis |
|----------|-----------------------|----------------------------|--------------------------|----------------------|----------------------------|
| RH-1FRHR | φ11mm | 50% or less | 1,100mm/sec | 20mm | ±360deg |

(2) Customer prepared products

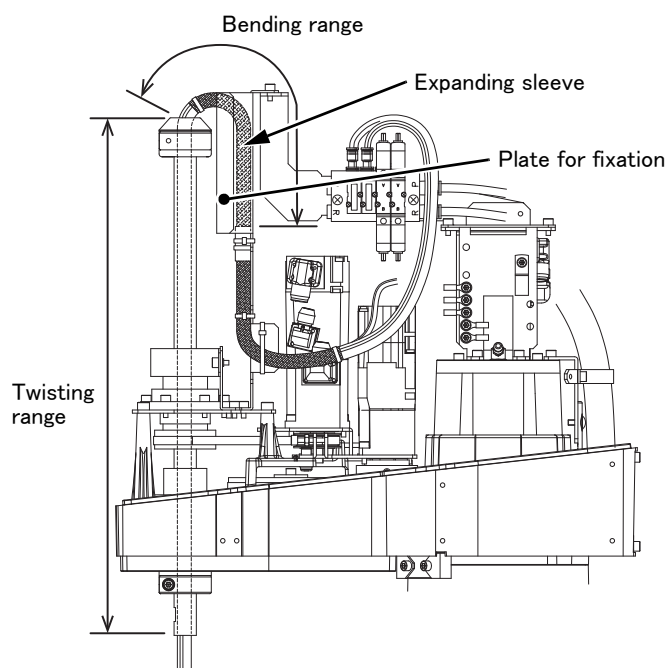
[Table 2-5](#) shows the necessary products for passing air hoses and cables through the shaft. The user needs to prepare the products.

Table 2-5 : Customer prepared products

| Name | Qty. | Usage and recommended product |
|------------------|-------------------|---|
| Expanding sleeve | Moderate quantity | Protecting the air hoses and cables, and improving the twisting rigidity Recommended expanding sleeve: EXP-13-PT (manufactured by Kitagawa Industries Co., Ltd.) |
| Cushion rubber | Moderate quantity | Protecting the bent portion and the fixed portion of the twisted end. Recommended cushion rubber: silicon rubber, thickness of 1mm, dimensions of 30mm × 80mm |
| Cable tie | Moderate quantity | Fixing the air hoses and the cables |
| Silicon grease | Moderate amount | Reducing friction and wear when the air hoses and the cables slide Recommended silicon grease: G-501 (manufactured by Shin-Etsu Chemical Co., Ltd.) |
| Liquid gasket | Moderate amount | Sealing the outlet at the tip of the shaft Recommended liquid gasket: 1212 (manufactured by Three Bond Co., Ltd.) |

【Precautions for implementation of moving part】

- 1) The internal air hoses and cables are bent and twisted according to the operations of the J3 and J4 axes. Structurally, the twisting occurs inside the shaft, and the bending occurs inside the expanding sleeve. Without the expanding sleeve, the twisted air hoses and cables may run onto the guide portion of the fixing plate, and the air hoses may be bent or broken.
- 2) Do not place the connector connecting part and the air hose relay part in the binding or twisting range.



(3) Installation procedure

The installation procedure is shown below.

Refer to the installation diagram shown from the next section, and perform the installation correctly.

- 1) Move the J3 axis to the top end with a jog operation and shut off the controller's power supply. This is necessary for space standard settings when feeding the air hose and hand input cable through the inside of the shaft.
- 2) Remove the screws fixing the No. 2 arm cover U, and remove the No. 2 arm cover U.
- 3) Pass the tool (hand) side of the internal air hoses and cables through the shaft. Make sure that the air hoses and the cables are not twisted or crossed.
- 4) Fix the air hoses and the cables with a cable tie so as to position the end of the expanding sleeve 10mm away from the opening of the shaft.
- 5) The highest point of the curved section of the air hoses and cables should be matched up with the top of the fixing plate.

CAUTION

If the air hoses and the cables are not long enough or too long, when the robot operates, excessive bending and friction with the shaft upper end or the cover may result in a break or abnormal operations of the tool (hand).

- 6) In the state of the steps 4) and 5), fix the air hoses and the cables to the (a) and (b) portions of the plate with cable ties. For the (a) portion, wrap the air hoses and the cables with cushion rubber before fixing.
- 7) When using the hand input signal or the optional solenoid valve, refer to [Page 51, "3.5 Hand internal wiring and piping set"](#).
- 8) The connected connectors are stored to the (c) portion.

CAUTION

Do not remove the cable ties which fixing connectors.
Fix the plate on the No. 2 arm, other cables and air hoses with cable ties. In this way, the internal cables and connectors do not touch the plate edge and others, or break due to the vibration during the robot operation (Refer to [Page 59, "3.8 Connector protection when the option devices are installed"](#)).

- 9) Carry out piping and wiring on the tool side.
Fix the air hoses and the cables, which are pulled out from the shaft lower end, to the hand side. Check again that the highest point of the curved section of the air hoses and the cables reaches the height of the fixing plate upper end, and then fix the air hoses and the cables at the outlet of the shaft.
When an optional bellows set has been installed to the robot and then required cleanliness, to ensure the cleanliness level, use liquid gasket and others to seal the outlet on the shaft tip where the air hoses and the cables are pulled out.
- 10) Apply silicon grease to the contact surface between the air hoses of the fixing plate and the cables, the cable sliding portion from the shaft upper end to the fixed portion, and the opening on the shaft upper end.
- 11) Power on the controller, perform the jog operation for the J3 and J4 axes, and check that the air hoses and the cables do not interfere with other components.

CAUTION

Do not power on the controller when the internal cables are connected to the connectors on the robot.
If the end of the cables on the tool side is not processed, troubles such as fuse blown by ground fault or short circuit may occur. Check that the end of the cables has been processed before powering on the controller.

- 12) Turn off the controller's power supply, then install the No.2 arm cover U securely as before with fixing screws (tightening torque: 1.39 to 1.89 Nm).
When installing the cover, check that no air hose or cable is pinched, and no air hose is bent.
Note) The installation surface of covers is using sealing material. In the event that the sealing material has been removed or has been bent or broken to the extent that it cannot be return to the original form, be sure to replace the sealing material. Please contact dealer when the sealing material needs to be replaced.

Installing cables and air hoses inside the robot's shaft is completed.

Refer to Page 20, "(3) Installation procedure" and install cables and air hoses correctly. The numbers in Fig. 2-11 are correspond to the same numbers in "(3) Installation procedure".

Turn the controller's power OFF before this operation. Refer to Page 67, "5.3.2 Installing/removing the cover" for removing/ installing the cover.

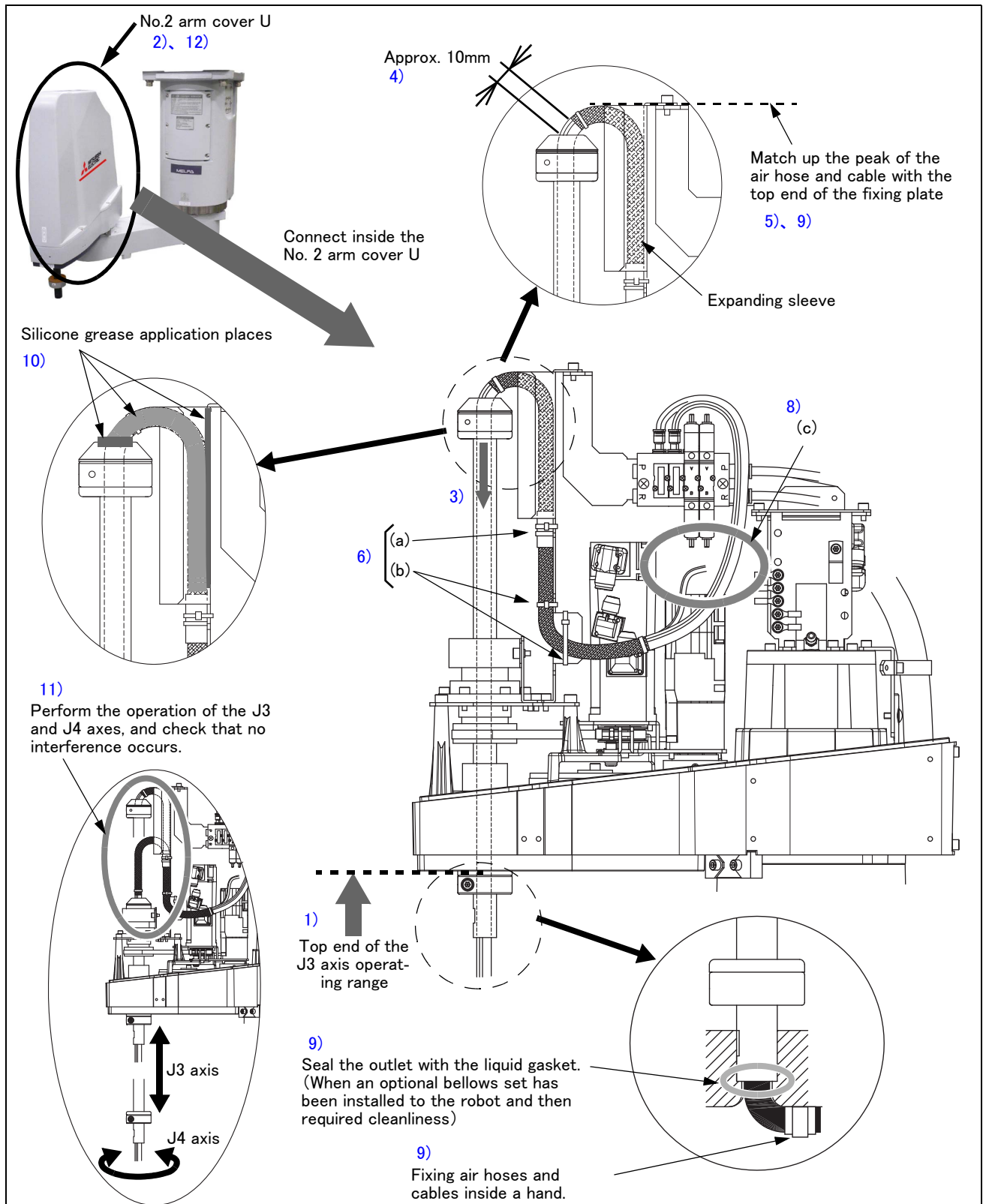





Fig.2-11 : Installation of air hoses and cables inside the robot's shaft

2.3 Confirming the operation

After the robot is connected to the controller, the origin data is automatically written. Then, manually move the robot using the T/B to confirm that the operation is correct. Moving the robot manually is called "jog operation". This operation includes the JOINT jog that moves each axis, the XYZ jog that moves along the base coordinate system, the TOOL jog that moves along the tool coordinate system, the Work jog that moves along the work coordinate system, and the CYLINDER jog that moves along the circular arc. This operation is carried out while pressing the deadman switch on the back of the T/B.

-  **CAUTION** The robot will move during this operation. Make sure that there are no operators near the robot, and that there are no obstacles, such as tools, in the robot operation range.

-  **CAUTION** To immediately stop the robot, release the deadman switch on the back of the T/B. The servo power will turn OFF, and the robot will stop. The robot will also stop if the [EMG.STOP] switch (emergency stop switch) on the front of the T/B is pressed.

-  **CAUTION** To check whether the origin of the robot deviates, move the robot arm to the position where the ABS marks align each other, and check the displayed joint coordinates of the position. For the details of the ABS mark position and the joint coordinates, refer to [Page 89, "5.6 Resetting the origin"](#).

2.3.1 Installing the teaching pendant (T/B)

Installing the T/B, with turning off the controller power.

CAUTION Please do not pull the cable of T/B strongly or do not bend it too much. It becomes the breaking of a wire of the cable and the cause of breakage of the connector. Please installing so that stress does not start the cable with the connector itself.

Explain the installation method of T/B below.

- 1) Check that the controller's power supply is OFF.
- 2) Refer to Fig. 2-12 and connect T/B connector to the robot controller.
Use as the upper surface the lock lever, and push in until there is sound.
- 3) Pressing down the lock lever to lock the connector as shown below.

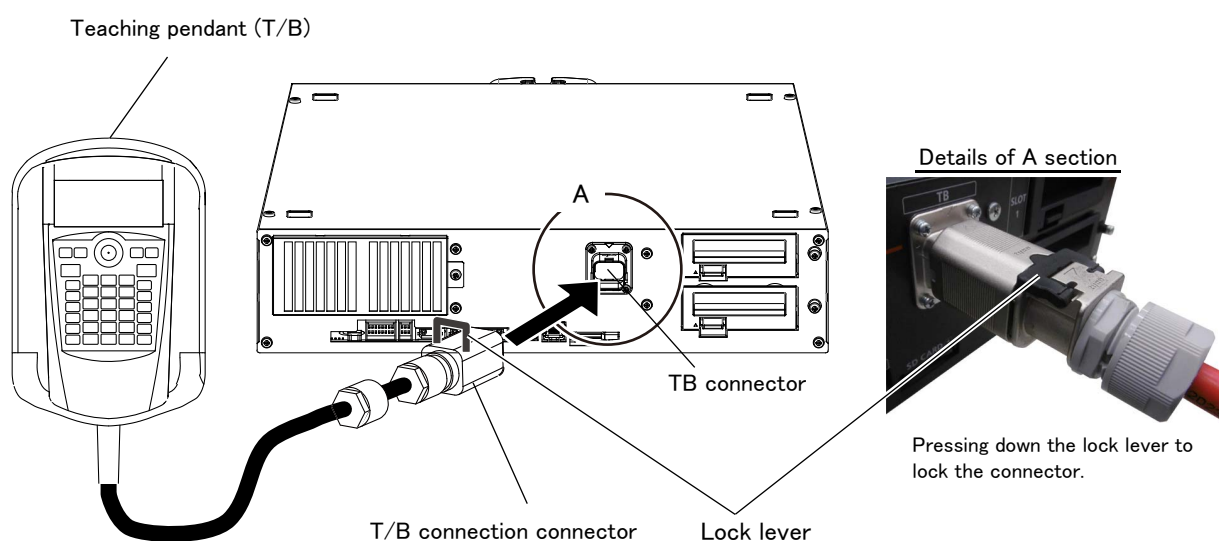


Fig. 2-12 : Installing the T/B

2.3.2 Turning ON the control power

CAUTION Confirm that there are no operators near the robot before turning the power ON.

- 1) Turn the controller power switch ON.
Turns ON the switch of the earth leakage breaker of installation outside.

* Controller software version C2d or later

If the hand conditions (weight, size, and center of gravity) have not been set, error C0330 (Undefined hand condition) will occur upon power on.

Clear the error from the teaching pendant or RT ToolBox3 until the hand conditions are set.

Set the hand conditions using the parameter HNDDAT* (* = 0 to 8).

For further information, refer to "Movement parameter" in the "Instruction Manual/Detailed explanations of functions and operations".

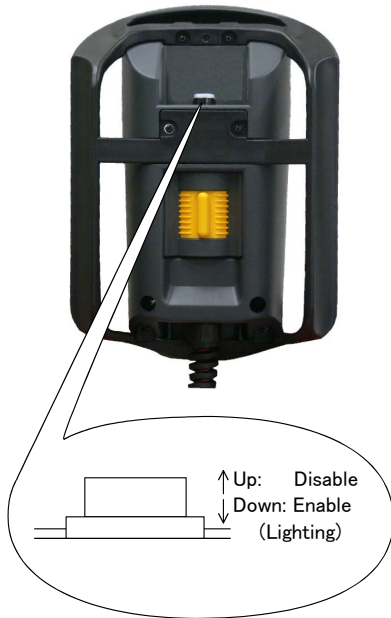
2.3.3 Preparing the T/B

Next, prepare to use the T/B

1) Set the mode of the controller to "MANUAL".

2) Set the T/B [ENABLE] switch to "ENABLE". The menu selection screen will appear.

The following operations are carried out with the T/B.



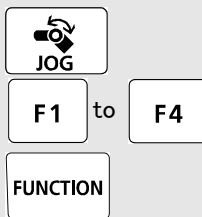
◆◆◆ Operating from the T/B ◆◆◆

Always set the mode of the controller to "MAMNUAL", and then set the T/B [ENABLE] switch to "ENABLE". When the T/B is valid, only operations from the T/B are possible. Operations from the external signals will not be accepted. The stop-related operations such as an emergency stop can be performed regardless of the valid/invalid setting.

◆◆◆ How to choose the jog mode ◆◆◆

| <CURRENT> | JOINT | 100% | M1 | TO | B1 |
|------------|-----------|------|-------|-------|----|
| J1: +0.00 | J5: +0.00 | | | | |
| J2: +0.00 | J6: +0.00 | | | | |
| J3: +90.00 | : | | | | |
| J4: +0.00 | : | | | | |
| XYZ | TOOL | JOG | 3-XYZ | CYLNR | ⇒ |

Choose the jog mode



Press the [JOG] key, the jog screen will be displayed, and display the jog mode which can be chosen at the bottom of the screen. Because these correspond to the function key of [F1] – [F4], press the function key corresponding to the jog mode to wish. And, if the [FUNCTION] key is pressed, selection in jog modes other than the present display is possible. The override (100%), the mechanism number (M1), and the tool number (T0), and the base coordinate number (B1) are displayed on the upside of the screen following the present jog mode (JOINT).

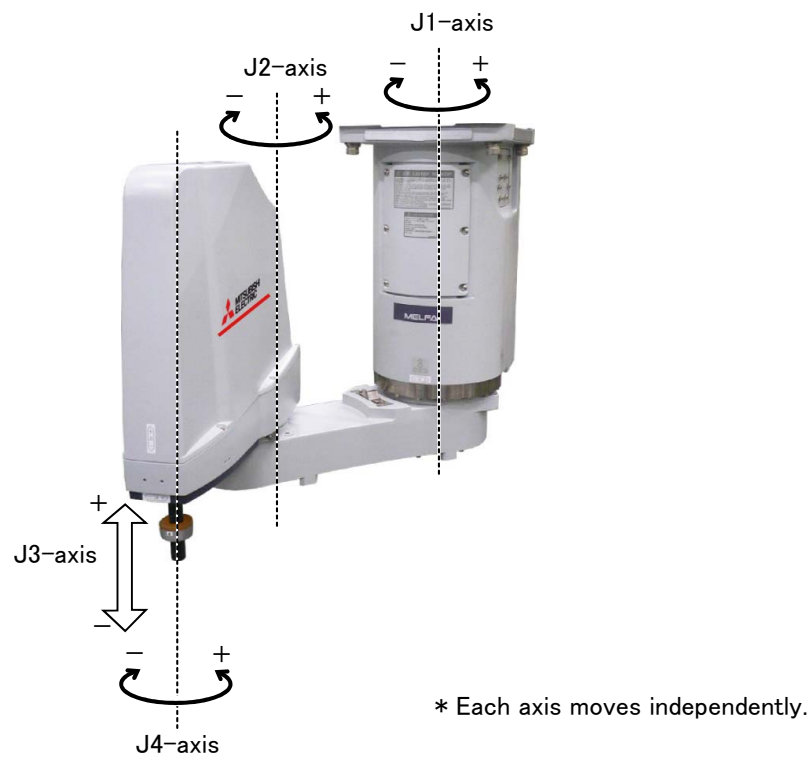


Fig.2-13 : JOINT jog operation

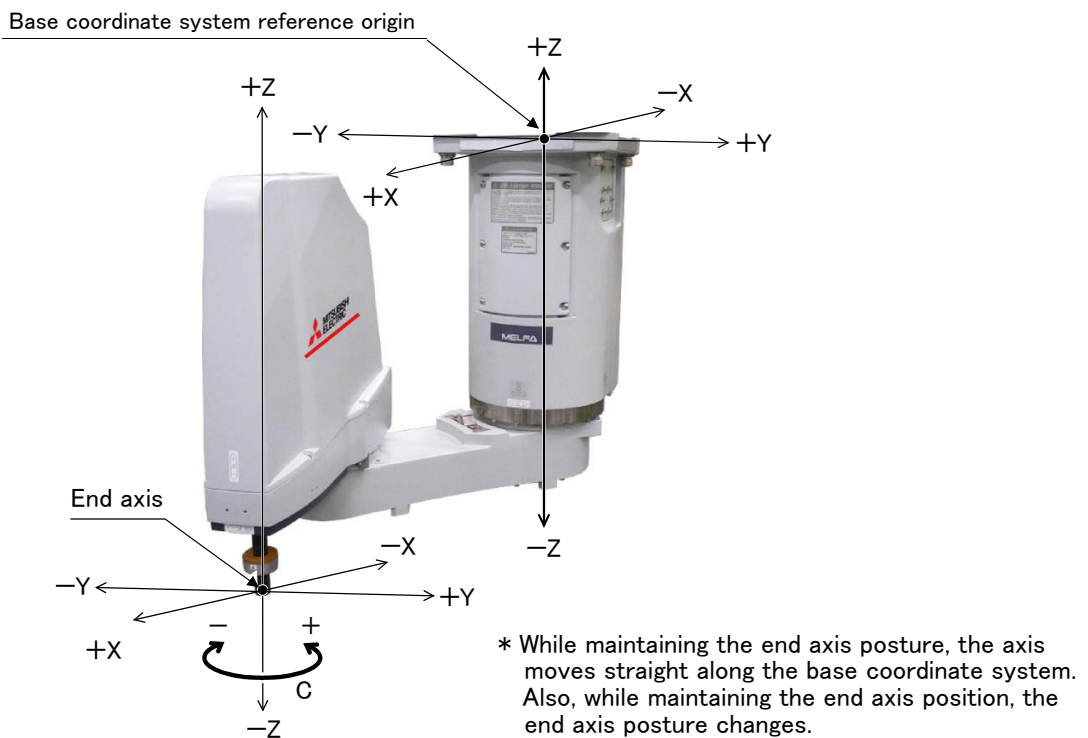


Fig.2-14 : XYZ jog operation

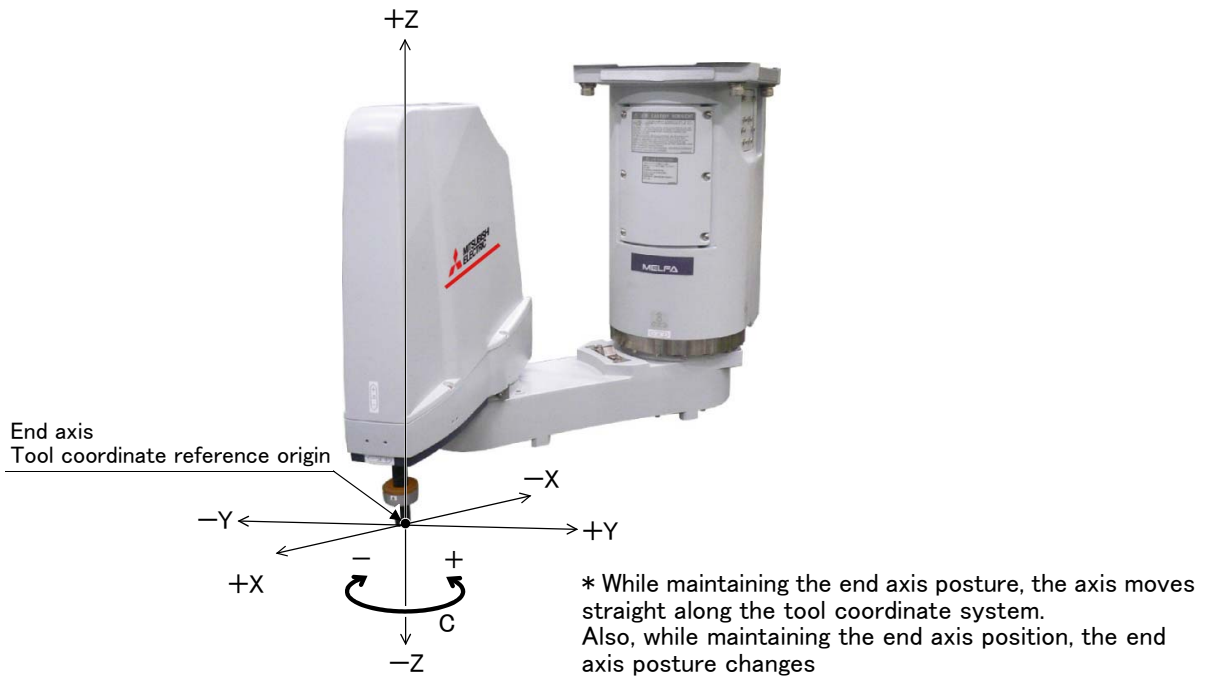


Fig.2-15 : TOOL jog operation

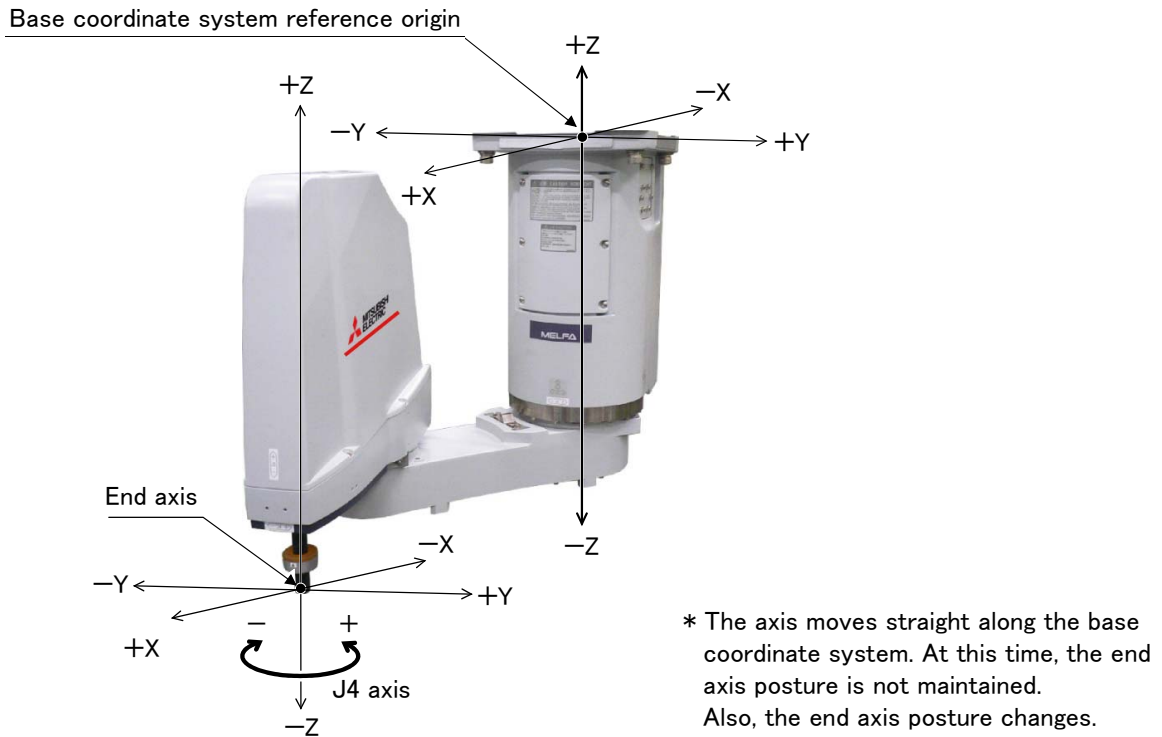
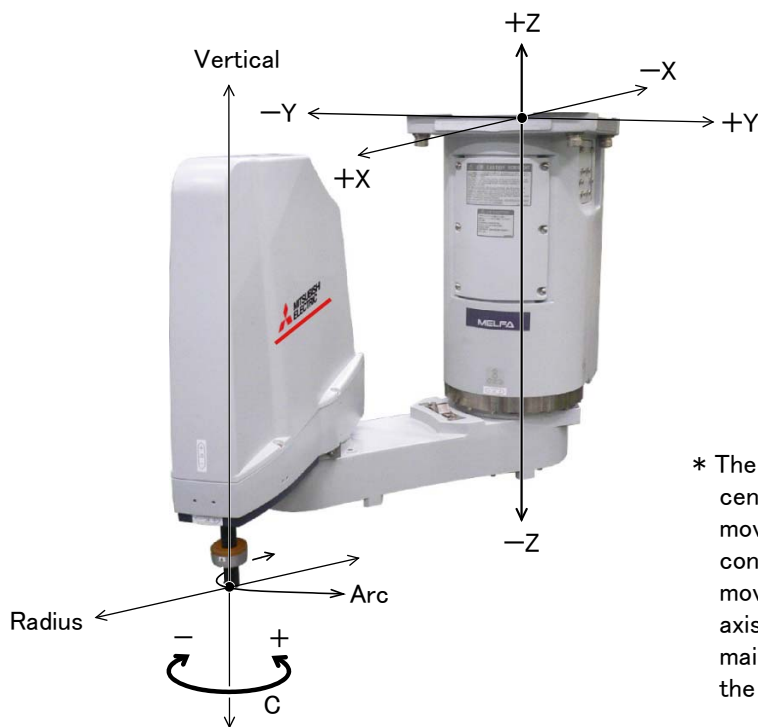
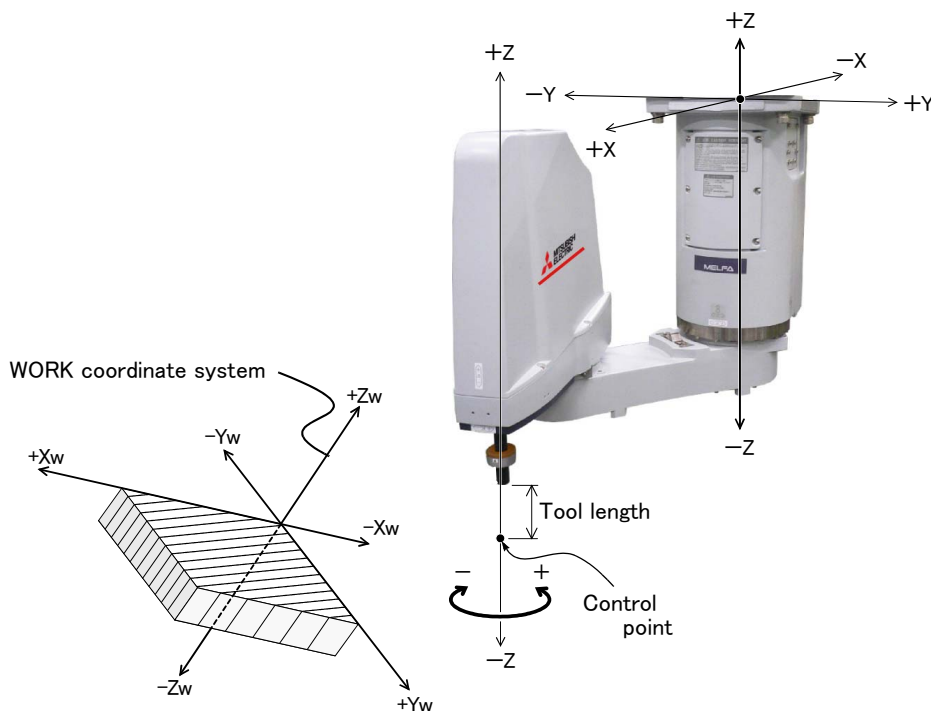


Fig.2-16 : 3-axis XYZ jog operation



* The current position is set as the arc centering on the Z axis, and the axis moves along that arc, expands and contracts in the radius direction, and moves vertically. At this time, the end axis posture is maintained. Also, while maintaining the axis posture position, the end axis posture changes.

Fig.2-17 : CYLINDER jog operation



- * While maintaining the end axis posture, the axis moves straight along the work coordinate system. Also, while maintaining the end axis position, the end axis posture changes.
- * When the controller software version is R5 (F-Q series)/S5 (F-D series) or later, jog operation around the work coordinates system is available (EX-T jog). In this jog operation, when the jog operation is performed for the posture elements, the posture rotates on the Xw axis, Yw axis, or Zw axis of the work coordinates system while the control point is changed.

Fig.2-18 : WORK jog operation

(1) JOINT jog operation

Select joint jog mode

| <CURRENT> | JOINT | 100% | M1 | T0 |
|------------|-----------|------|----|----|
| J1: +0.00 | J5: +0.00 | | | |
| J2: +0.00 | J6: +0.00 | | | |
| J3: +90.00 | : | | | |
| J4: +0.00 | : | | | |

XYZ TOOL JOG 3-XYZ CYLNR =>

JOG F1

Joint jog mode

Set jog speed

| <CURRENT> | JOINT | 100% | M1 | T0 |
|------------|-----------|------|----|----|
| J1: +0.00 | J5: +0.00 | | | |
| J2: +0.00 | J6: +0.00 | | | |
| J3: +90.00 | : | | | |
| J4: +0.00 | : | | | |

XYZ TOOL JOG 3-XYZ CYLNR =>

OVRD ↑ OVRD ↓

Setting the speed

[JOG] Press the key and display the jog screen. ("JOG" is displayed on the screen bottom)

Check that the "joint" in jog mode is displayed on the screen.

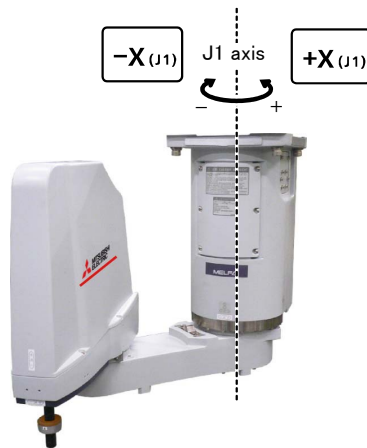
If other jog modes are displayed, please press the function key corresponding to the "joint." (If the jog mode which he wishes under the screen is not displayed, it is displayed that the [FUNCTION] key is pressed)

If it finishes jog operation, press the [JOG] key again, or function key which correspond to "close."

Whenever it presses the key of [OVRD ↑], the override goes up. Conversely, if the [OVRD ↓] key is pressed, it will go down.

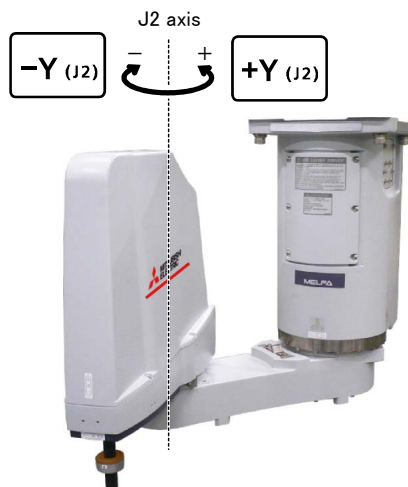
The current setting speed is displayed on screen upper right. Set the override to 10% here for confirmation work.

J1 axis jog operation



- When the [+X (J1)] keys are pressed, the J1 axis will rotate in the plus direction. When the [-X (J1)] keys are pressed, rotate in the minus direction.

J2 axis jog operation

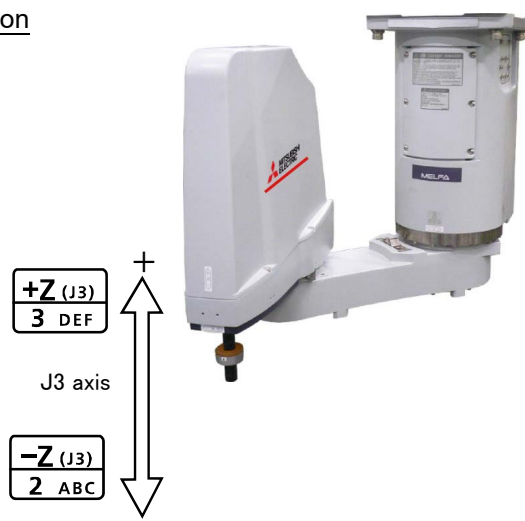


- When the [+Y (J2)] keys are pressed, the J2 axis will rotate in the plus direction. When the [-Y (J2)] keys are pressed, rotate in the minus direction.

◆◆◆ When the robot is in the transportation posture ◆◆◆

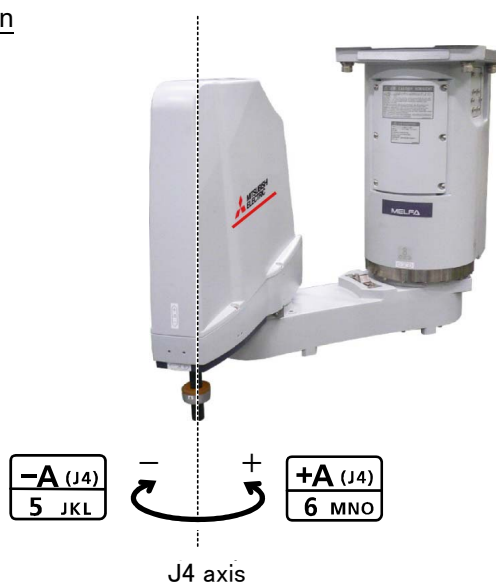
The axes may be outside the movement area. Move these axes toward the inner side of the movement area.

J3 axis jog operation



- When the [+Z (J3)] keys are pressed, the J3 axis will rotate in the plus direction.
When the [-Z (J3)] keys are pressed, rotate in the minus direction.

J4 axis jog operation





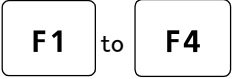
- When the [+A (J4)] keys are pressed, the J4 axis will rotate in the plus direction.
When the [-A (J4)] keys are pressed, rotate in the minus direction.

◆◆◆ If the buzzer of T/B sounds and the robot does not move ◆◆◆

If it is going to move the robot across the operation range, the buzzer of T/B sounds and the robot does not move. In this case, please move to the counter direction.

(2) XYZ jog operation

Select XYZ jog mode

| | | | | | | | | | | | |
|---|--------|------|-------|-------|---|------|-----|-------|-------|---|---|
| <CURRENT> | XYZ | 100% | M1 | T0 |  | | | | | | |
| J1: | +0.00 | J5: | +0.00 | |  | | | | | | |
| J2: | +0.00 | J6: | +0.00 | | | | | | | | |
| J3: | +90.00 | : | : | | | | | | | | |
| J4: | +0.00 | : | : | | | | | | | | |
| <table border="1"> <tr> <td>XYZ</td> <td>TOOL</td> <td>JOG</td> <td>3-XYZ</td> <td>CYLNR</td> <td>⇒</td> </tr> </table> | | | | | XYZ | TOOL | JOG | 3-XYZ | CYLNR | ⇒ |  |
| XYZ | TOOL | JOG | 3-XYZ | CYLNR | ⇒ | | | | | | |

XYZ jog mode

[JOG] Press the key and display the jog screen. ("JOG" is displayed on the screen bottom)
Check that the "XYZ" in jog mode is displayed on the screen.



If other jog modes are displayed, please press the function key corresponding to the "XYZ." (If the jog mode which he wishes under the screen is not displayed, it is displayed that the [FUNCTION] key is pressed)

If it finishes jog operation, press the [JOG] key again, or function key which correspond to "close."

Whenever it presses the key of [OVRD ↑], the override goes up. Conversely, if the [OVRD ↓] key is pressed, it will go down.

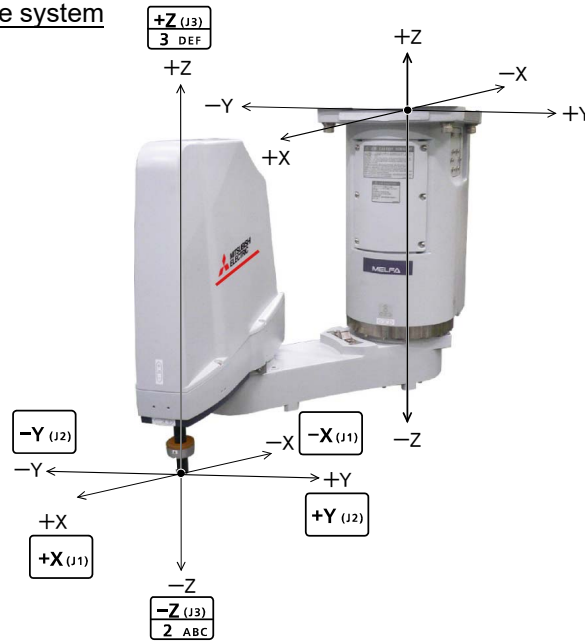
The current setting speed is displayed on screen upper right. Set the override to 10% here for confirmation work.

Set jog speed

| | | | | | | | | | | | |
|---|--------|------|-------|-------|---|---|-----|-------|-------|---|--|
| <CURRENT> | XYZ | 100% | M1 | T0 |  |  | | | | | |
| J1: | +0.00 | J5: | +0.00 | | | | | | | | |
| J2: | +0.00 | J6: | +0.00 | | | | | | | | |
| J3: | +90.00 | : | : | | | | | | | | |
| J4: | +0.00 | : | : | | | | | | | | |
| <table border="1"> <tr> <td>XYZ</td> <td>TOOL</td> <td>JOG</td> <td>3-XYZ</td> <td>CYLNR</td> <td>⇒</td> </tr> </table> | | | | | XYZ | TOOL | JOG | 3-XYZ | CYLNR | ⇒ | |
| XYZ | TOOL | JOG | 3-XYZ | CYLNR | ⇒ | | | | | | |

Setting the speed

Moving along the base coordinate system



- When the [+X (J1)] keys are pressed, the robot will move along the X axis plus direction.
When the [-X (J1)] keys are pressed, move along the minus direction.
- When the [+Y (J2)] keys are pressed, the robot will move along the Y axis plus direction.
When the [-Y (J2)] keys are pressed, move along the minus direction.
- When the [+Z (J3)] keys are pressed, the robot will move along the Z axis plus direction.
When the [-Z (J3)] keys are pressed, move along the minus direction.

◆◆◆ When the robot is in the transportation posture ◆◆◆
There are directions from which linear movement is not possible from the transportation posture. In this case, the robot will not move. Refer to section [Page 28, "\(1\) JOINT jog operation"](#), and move the robot to a position where linear movement is possible, and then carry out XYZ jog.

◆◆◆ If the buzzer of T/B sounds and the robot does not move ◆◆◆
If it is going to move the robot across the operation range, the buzzer of T/B sounds and the robot does not move. In this case, please move to the counter direction.

Changing the end axis posture



*The Position of the end axis will not change.

- When the [+C (J6)] keys are pressed, the Z axis will rotate in the plus direction.
When the [-C (J6)] keys are pressed, rotate in the minus direction.

◆◆◆ When alarm No. 5150 occurs ◆◆◆

If alarm No. 5150 (ORIGIN NOT SET) occurs, the origin has not been set correctly. Reconfirm the value input for the origin data.

◆◆◆ Tool length ◆◆◆

The default tool length is 0mm, and the control point is the center of the end axis.

After installing the hand, set the correct tool length in the parameters. Refer to the separate manual "Detailed Explanation of Functions and Operations" for details.

(3) TOOL jog operation

Select TOOL jog mode

| | | | | |
|-----------|--------|------|-------|----|
| <CURRENT> | TOOL | 100% | M1 | T0 |
| J1: | +0.00 | J5: | +0.00 | |
| J2: | +0.00 | J6: | +0.00 | |
| J3: | +90.00 | : | : | |
| J4: | +0.00 | : | : | |

XYZ | TOOL | JOG | 3-XYZ | CYLNDR =>

TOOL jog mode

JOG

FUNCTION

F1 to F4

[JOG] Press the key and display the jog screen. ("JOG" is displayed on the screen bottom)
Check that the "TOOL" in jog mode is displayed on the screen.

If other jog modes are displayed, please press the function key corresponding to the "TOOL." (If the jog mode which he wishes under the screen is not displayed, it is displayed that the [FUNCTION] key is pressed)

If it finishes jog operation, press the [JOG] key again, or function key which correspond to "close."

Set jog speed

| | | | | |
|-----------|--------|------|-------|----|
| <CURRENT> | TOOL | 100% | M1 | T0 |
| J1: | +0.00 | J5: | +0.00 | |
| J2: | +0.00 | J6: | +0.00 | |
| J3: | +90.00 | : | : | |
| J4: | +0.00 | : | : | |

XYZ | TOOL | JOG | 3-XYZ | CYLNDR =>

Setting the speed

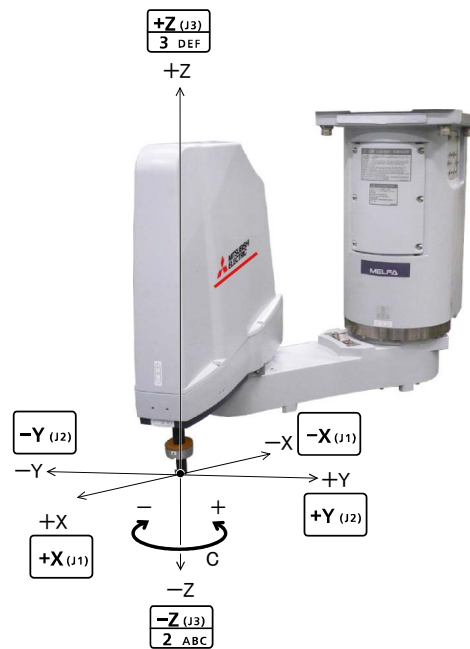
OVRD ↑

OVRD ↓

Whenever it presses the key of [OVRD ↑], the override goes up. Conversely, if the [OVRD ↓] key is pressed, it will go down.

The current setting speed is displayed on screen upper right. Set the override to 10% here for confirmation work.

Moving along the tool coordinate system



- When the [+X (J1)] keys are pressed, the robot will move along the X axis plus direction of the tool coordinate system.
When the [-X (J1)] keys are pressed, move along the minus direction.
- When the [+Y (J2)] keys are pressed, the robot will move along the Y axis plus direction of the tool coordinate system.
When the [-Y (J2)] keys are pressed, move along the minus direction.
- When the [+Z (J3)] keys are pressed, the robot will move along the Z axis plus direction of the tool coordinate system.
When the [-Z (J3)] keys are pressed, move along the minus direction.

◆◆◆ When the robot is in the transportation posture ◆◆◆
There are directions from which linear movement is not possible from the transportation posture. In this case, the robot will not move. Refer to section [Page 28, "\(1\) JOINT jog operation"](#), and move the robot to a position where linear movement is possible, and then carry out XYZ jog.

◆◆◆ If the buzzer of T/B sounds and the robot does not move ◆◆◆

If it is going to move the robot across the operation range, the buzzer of T/B sounds and the robot does not move. In this case, please move to the counter direction.

Changing the end axis posture



*The Position of the end axis will not change.

- When the [+C (J6)] keys are pressed, the Z axis will rotate in the plus direction of the tool coordinate system. When the [-C (J6)] keys are pressed, rotate in the minus direction.

◆◆◆ When alarm No. 5150 occurs ◆◆◆

If alarm No. 5150 (ORIGIN NOT SET) occurs, the origin has not been set correctly. Reconfirm the value input for the origin data.

◆◆◆ Tool length ◆◆◆

The default tool length is 0mm, and the control point is the center of the end axis.

After installing the hand, set the correct tool length in the parameters. Refer to the separate manual "Detailed Explanation of Functions and Operations" for details.

(4) 3-axis XYZ jog operation

Select 3-axis XYZ jog mode

| | | | | | |
|-----------|--------|-------|-------|----|----|
| <CURRENT> | | 3-XYZ | 100% | M1 | TO |
| J1: | +0.00 | J5: | +0.00 | | |
| J2: | +0.00 | J6: | +0.00 | | |
| J3: | +90.00 | : | : | | |
| J4: | +0.00 | : | : | | |

XYZ TOOL JOG **3-XYZ** CYLNDR =>

3-axis XYZ jog mode

[JOG] [FUNCTION] F1 to F4

[JOG] Press the key and display the jog screen. ("JOG" is displayed on the screen bottom)
Check that the "3-XYZ" in jog mode is displayed on the screen.

If other jog modes are displayed, please press the function key corresponding to the "3-XYZ." (If the jog mode which he wishes under the screen is not displayed, it is displayed that the [FUNCTION] key is pressed)

If it finishes jog operation, press the [JOG] key again, or function key which correspond to "close."

Whenever it presses the key of [OVRD ↑], the override goes up. Conversely, if the [OVRD ↓] key is pressed, it will go down.

The current setting speed is displayed on screen upper right. Set the override to 10% here for confirmation work.

Set jog speed

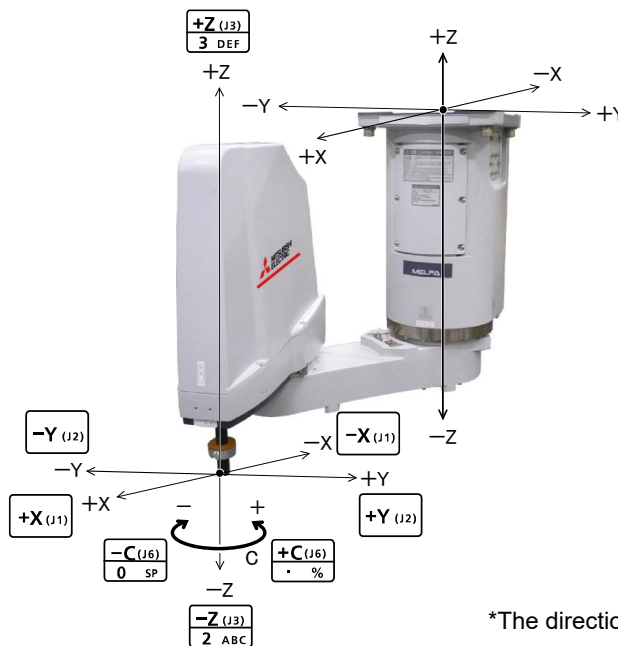
| | | | | | |
|-----------|--------|-------|-------|----|----|
| <CURRENT> | | 3-XYZ | 100% | M1 | TO |
| J1: | +0.00 | J5: | +0.00 | | |
| J2: | +0.00 | J6: | +0.00 | | |
| J3: | +90.00 | : | : | | |
| J4: | +0.00 | : | : | | |

XYZ TOOL JOG **3-XYZ** CYLNDR =>

OVRD ↑ OVRD ↓

Setting the speed

Moving along the base coordinate system

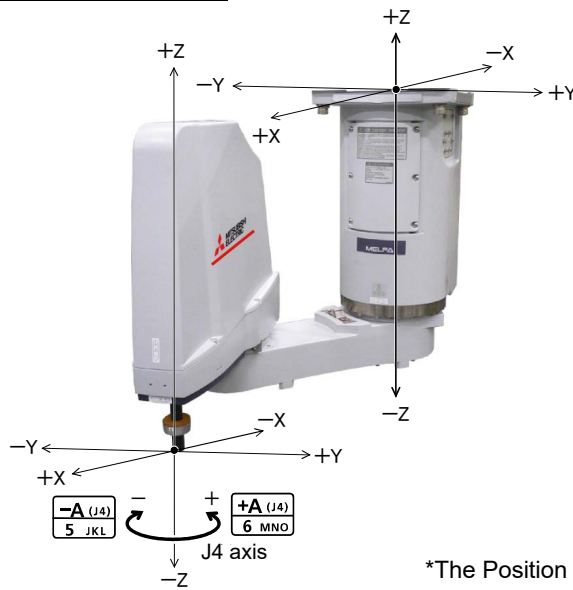


*The direction of the end axis will change.

- When the[+X (J1)] keys are pressed, the robot will move along the X axis plus direction.
When the[-X (J1)] keys are pressed, move along the minus direction.
- When the[+Y (J2)] keys are pressed, the robot will move along the Y axis plus direction.
When the[-Y (J2)] keys are pressed, move along the minus direction.
- When the[+Z (J3)] keys are pressed, the robot will move along the Z axis plus direction.
When the[-Z (J3)] keys are pressed, move along the minus direction.

◆◆◆ The flange surface end axis posture cannot be maintained with 3-axis XYZ jog. ◆◆◆
With 3-axis XYZ jog, the flange surface end axis posture (orientation) is not maintained when moving linearly in the X, Y or Z axis direction.
Use XYZ jog to maintain the posture.

Changing the end axis posture



*The Position of the end axis will not change.

- When the [+C (J6)] keys are pressed, the J4-axis will rotate in the plus direction.
When the [-C (J6)] keys are pressed, rotate in the minus direction.

(5) CYLINDER jog operation

Select cylindrical jog mode

| | | | | |
|-----------|---------|------|-------|----|
| <CURRENT> | CYLNDER | 100% | M1 | T0 |
| J1: | +0.00 | J5: | +0.00 | |
| J2: | +0.00 | J6: | +0.00 | |
| J3: | +90.00 | | | |
| J4: | +0.00 | | | |

XYZ TOOL JOG 3-XYZ CYLNDR =>

CYLINDER jog mode

JOG

FUNCTION

F1 to F4

[JOG] Press the key and display the jog screen. ("JOG" is displayed on the screen bottom)
Check that the "CYLINDER" in jog mode is displayed on the screen.

If other jog modes are displayed, please press the function key corresponding to the "CYLINDER." (If the jog mode which he wishes under the screen is not displayed, it is displayed that the [FUNCTION] key is pressed)

If it finishes jog operation, press the [JOG] key again, or function key which correspond to "close."

Whenever it presses the key of [OVRD ↑], the override goes up. Conversely, if the [OVRD ↓] key is pressed, it will go down.

The current setting speed is displayed on screen upper right. Set the override to 10% here for confirmation work.

Set jog speed

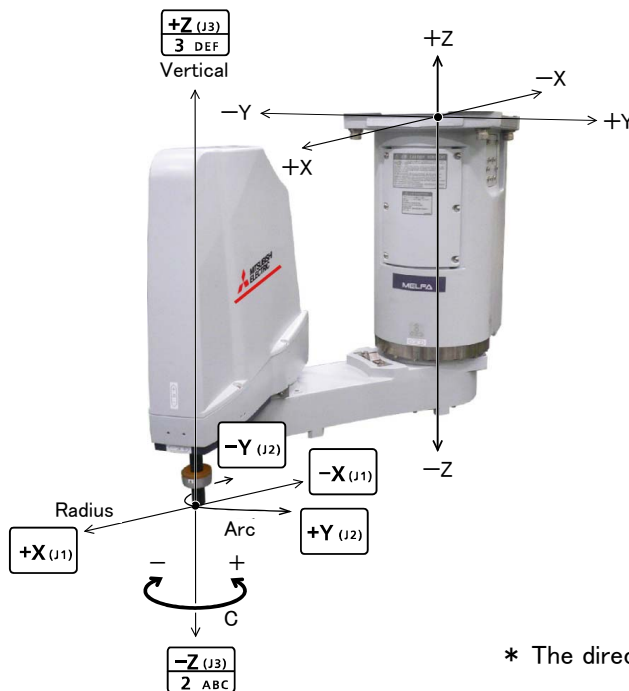
| | | | | |
|-----------|---------|------|-------|----|
| <CURRENT> | CYLNDER | 100% | M1 | T0 |
| J1: | +0.00 | J5: | +0.00 | |
| J2: | +0.00 | J6: | +0.00 | |
| J3: | +90.00 | | | |
| J4: | +0.00 | | | |

XYZ TOOL JOG 3-XYZ CYLNDR =>

OVRD ↑ OVRD ↓

Setting the speed

Moving along an arc centering on the Z axis

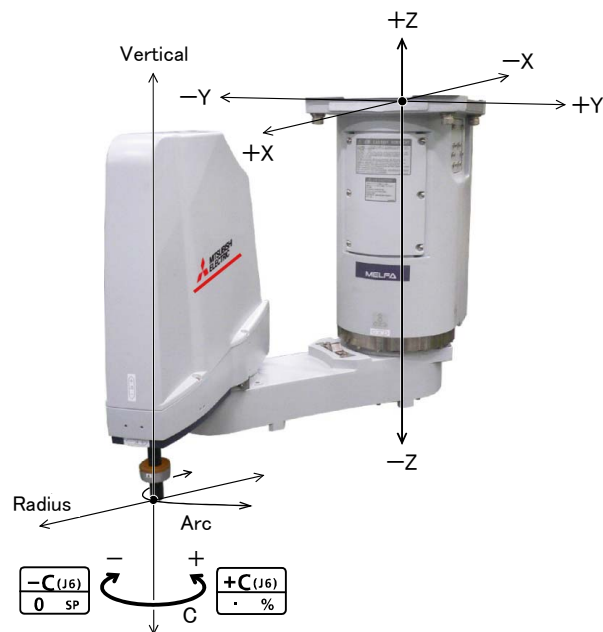


* The direction of the frange will not change.

Assuming that the current position is on an arc centering on the Z axis, the robot moves along that arc.

- When the[+X (J1)] keys are pressed, the robot will expand in the radial direction.
When the[-X (J1)] keys are pressed, contract in the radial direction.
- When the[+Y (J2)] keys are pressed, the robot will move along the arc in the plus direction.
When the[-Y (J2)] keys are pressed, move in the minus direction.
- When the[+Z (J3)] keys are pressed, the robot will move along the Z axis plus direction.
When the[-Z (J3)] keys are pressed, move along the minus direction.

Changing the flange surface posture



*The position of the end axis will not change.

- When the [+C (J6)] keys are pressed, the Z axis will rotate in the plus direction.
When the [-C (J6)] keys are pressed, rotates in the minus direction.

(6) Work jog operation

Setting of the work coordinates system is necessary.

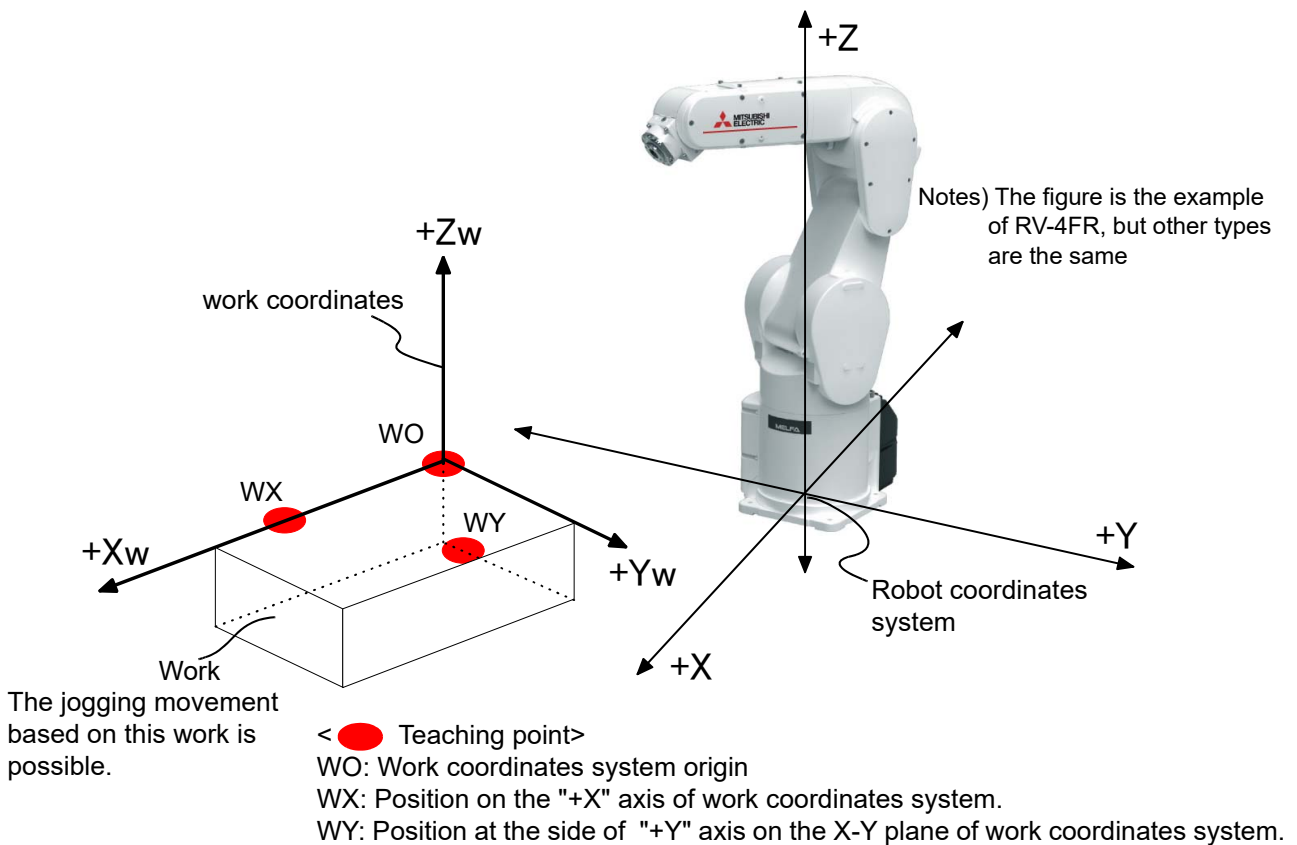
By this jog operation, robot can be move along with the direction of work (or working table etc.), so teaching operations get easier.

When jog operation, select by which work coordinates the robot moves

The setting method of the work coordinates system using T/B (R32TB) is shown in the following.

(Parameter: Setting the coordinate value to WK n CORD ("n" is meaning the number (1-8) of work coordinates) can also set up the work coordinates system. Refer to the separate manual "Detailed Explanation of Functions and Operations" for details of parameter.)

The work coordinates system teaches and sets up the three points (WO, WX, WY).



[Supplement] : The coordinate values which use all three teaching points for setting of the work coordinates system are each only X, Y, and the Z-axis. Although the coordinate value of A, B, and C axis is not used, positioning will get easy if the XYZ jog or TOOL jog movement is effected with the same value. (The direction of the hand is the same)

Fig.2-19 : Setting of the work coordinates system (teaching point)

The setting (definition) method of the work coordinates system is shown in the following.

1) Select "6.ENHANCED" screen on the <MENU> screen.

```

<MENU>
1. FILE/EDIT          2. RUN
3. PARAM.            4. ORIGIN/BRK
5. SET/INIT.        6. ENHANCED
  
```

123 CLOSE



```

<EMHANCED>
1. SQ DIRECT          2. WORK COORD.
3. FORCE SENSOR CONTROL
  
```

123 CLOSE

2) Press the [2] keys in the menu screen and select "2. WORK COORD."

```

<EMHANCED>
1. SQ DIRECT          2. WORK COORD.
3. FORCE SENSOR CONTROL
  
```

123 CLOSE



```

<WORK COORD>          WORK NUMBER (1)
                     TEACHING POINT (WO)
X: 0.00
Y: 0.00
Z: 0.00
  
```

TEACH WX 123 WY DEFINE

The screen shows the coordinate value of the origin (WO) of the work coordinates number 1.

3) Selection of the work coordinates number

Press the [FUNCTION] keys, and display "W: JUMP" function. Press the function key corresponding to "W: JUMP"

```

<WORK COORD>          WORK NUMBER (1)
                     TEACHING POINT (WO)
X: 0.00
Y: 0.00
Z: 0.00
  
```

W. JUMP W. GRID 123 CLOSE



```

<WORK JUMP>
CHOOSE ONE OF THE WORK NUMBER
1-8.
  
```

123 CLOSE

Press numeral key [1] - [8] and specify the work coordinates number. The coordinate value of the specified work coordinates system is displayed.

```

<WORK JUMP>
CHOOSE ONE OF THE WORK NUMBER
1-8.
  
```

123 CLOSE



```

<WORK COORD>          WORK NUMBER (2)
                     TEACHING POINT (WO)
X: 0.00
Y: 0.00
Z: 0.00
  
```

W. JUMP W. GRID 123 CLOSE

The screen is the example which specified the work coordinates number 2. ("2" at the upper right of the screen)

Operation will be canceled if the [CLOSE] key is pressed.

4) The teaching of the work coordinates system

Teach the three points shown in Fig. 2-19. Confirm the name currently displayed on the "TEACHING POINT" at the upper right of the screen. If it differs, press the function key corresponding to each point(WO, WX, WY) to teach. Move the robot's arm by jog operation (other jogging movement), and press the function key corresponding to "TEACH."([F1]) The confirmation screen is displayed.

```

<WORK COORD>          WORK NUMBER (2)
                     TEACHING POINT (WO)
X: 0.00
Y: 0.00
Z: 0.00
  
```

TEACH WX 123 WY DEFINE



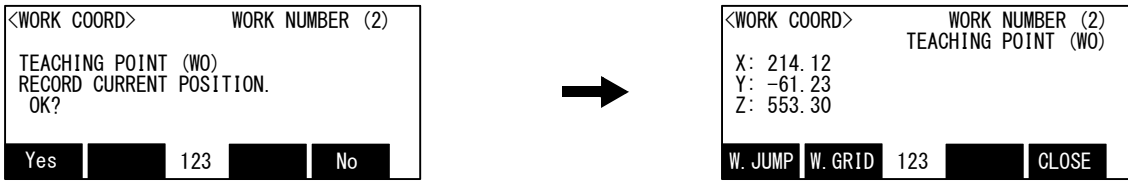
```

<WORK COORD>          WORK NUMBER (2)
TEACHING POINT (WO)
RECORD CURRENT POSITION.
OK?
  
```

Yes 123 No

Specify the teaching point [WO],[WX],[WY]
teaching the position [TEACH]

Presses the function key corresponding to "Yes", the robot's current position is registered, and the registered coordinates value is display. Operation will be canceled if the [CLOSE] key is pressed.

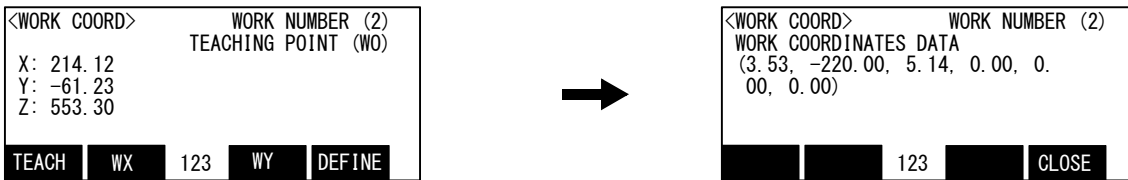


Teach the three points, WO, WX, and WY, by the same operation. The position data taught here is each registered into the following parameters. ("n" means the work coordinates numbers 1-8)

- WO= parameter: WKnWO
- WX= parameter: WKnWX
- WY= parameter: WKnWY

5) Setting of work coordinates (definition)

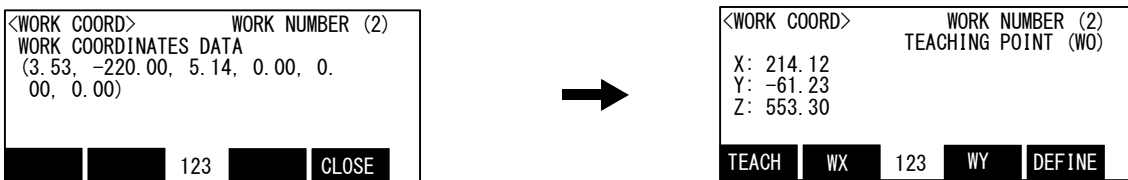
If the function key corresponding to "DEFINE" ([F1]) is pressed, the work coordinates system will be calculated using the three points, and the result will be displayed.



The alarm occurs if the work coordinates system is incalculable. (There are the three points on the straight line, or the two points have overlapped) In this case, reset alarm and re-teach the three points.

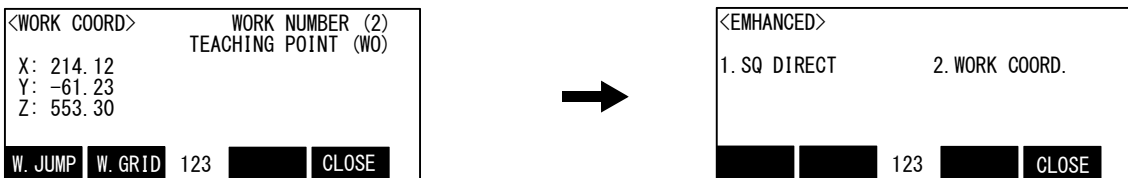
This work coordinate data is registered into parameter: WKnCORD. ("n" means the work coordinates numbers 1-8)

If the function key corresponding to "CLOSE" is pressed, it will return to the previous screen.



6) Finishing of setting the work coordinates

Press the [FUNCTION] keys, and display "CLOSE" function. Press the function key corresponding to "CLOSE". Returns to the <MENU> screen.



Although setting of work coordinates is finishing above, confirmation of work coordinates can be done by pressing the function key corresponding to "W GRID."([F2])

| | |
|---------------------|-----------------|
| <WORK COORD> | WORK NUMBER (2) |
| TEACHING POINT (WO) | |
| X: 214.12 | |
| Y: -61.23 | |
| Z: 553.30 | |
| W. JUMP | W. GRID 123 |
| | CLOSE |



| | |
|---|-----------------|
| <WORK COORD> | WORK NUMBER (2) |
| WORK COORDINATES DATA | |
| (3.53, -220.00, 5.14, 0.00, 0.00, 0.00) | |
| | 123 |
| | CLOSE |

Return to the previous screen by pressing the [CLOSE] ([F4]) key.

Then, the operation method of the work jog is shown. Change to the work jog after nearing the work.

Select WORK jog mode

| | | | |
|---------------|-----------|------|-----------------|
| <CURRENT> | WORK | 100% | M1 TO W1 |
| J1: +0.00 | J5: +0.00 | | |
| J2: +0.00 | J6: +0.00 | | |
| J3: +90.00 | : | | |
| J4: +0.00 | : | | |
| XYZ | TOOL | JOG | 3-XYZ CYLNDR => |
| WORK jog mode | | | |

JOG

FUNCTION

F1

to

F4

Note) The displayed values are based on the XYZ coordinate system.

[JOG] Press the key and display the jog screen. ("JOG" is displayed on the screen bottom)

Check that the "WORK" in jog mode is displayed on the screen.

If other jog modes are displayed, please press the function key corresponding to the "WORK." (If the jog mode which he wishes under the screen is not displayed, it is displayed that the [FUNCTION] key is pressed)

If it finishes jog operation, press the [JOG] key again, or function key which correspond to "close."

Confirmation and selection of the work coordinates system

| | | | |
|------------|-----------|------|-----------------|
| <CURRENT> | WORK | 100% | M1 TO W1 |
| J1: +0.00 | J5: +0.00 | | |
| J2: +0.00 | J6: +0.00 | | |
| J3: +90.00 | : | | |
| J4: +0.00 | : | | |
| XYZ | TOOL | JOG | 3-XYZ CYLNDR => |

↑

↓

Select the work coordinates system

Target work coordinates system

Confirm the target work coordinates system.

The current target number is displayed on the screen upper right. (W1 - W8)

The number of work coordinates can be changed by the arrow key [Upper arrow], [Lower arrow]

Push the key [Upper arrow], the number will increase. (W1, W2, W8) Conversely, push the key [Lower arrow], the number will decrease



CAUTION

Always confirm that the number of the target work coordinates system is displayed correctly (Display of W1-W8 at the upper right of the screen)

If mistaken, the robot will move in the direction which is not meant and will cause the damage and the personal injuries.

Set jog speed

| | | | |
|------------|-----------|-----|-----------------|
| <CURRENT> | WORK | 70% | M1 TO |
| J1: +0.00 | J5: +0.00 | | |
| J2: +0.00 | J6: +0.00 | | |
| J3: +90.00 | : | | |
| J4: +0.00 | : | | |
| XYZ | TOOL | JOG | 3-XYZ CYLNDR => |

OVRD ↑

OVRD ↓

Setting the speed

Whenever it presses the key of [OVRD (Upper arrow)], the override goes up. Conversely, if the [OVRD (Lower arrow)] key is pressed, it will go down.

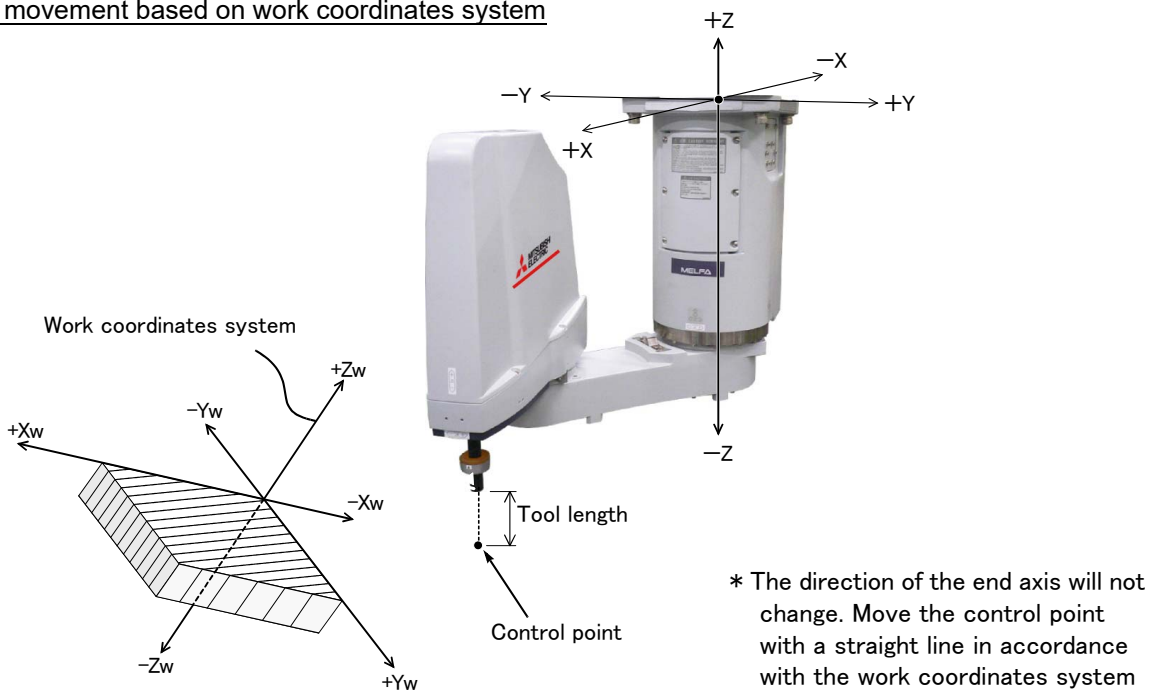
The current setting speed is displayed on screen upper right.

Set the override to 10% here for confirmation work

The WORK jog operation and the Ex-T jog operation can be switched by setting the parameters WK1-JOGMD to WK8JOGMD of each work coordinates system.
The respective operations are as follows.

| WORK jog operation mode | Conventional WORK jog | Ex-T jog |
|---|--|---|
| Parameters WK n JOGMD (n is 1 to 8) setting | 0 (initial value) | 1 |
| XYZ key operation | Moves along each axis of the work coordinates system | Same as the conventional WORK jog |
| C key operation | With the control point position maintained, the direction changes along the work coordinates system. | While the control point position is changed, the direction changes on the Z axis of the work coordinates system (Z w). |
| AB key operation | The robot does not move. | The robot does not move. |

The jog movement based on work coordinates system

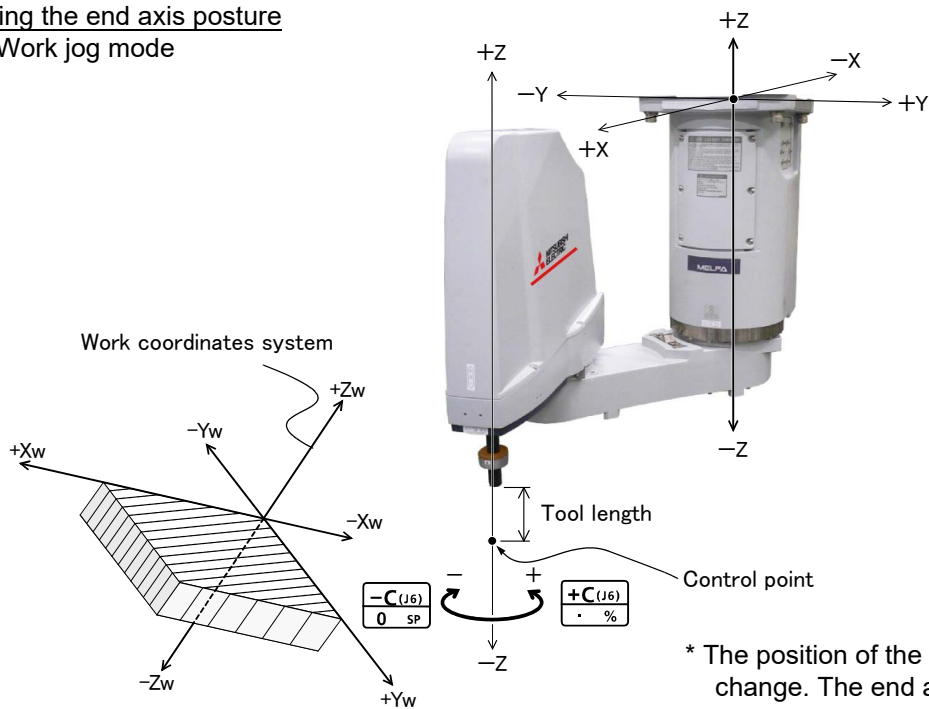


- When the [+X (J1)] keys are pressed, the robot will move along the X axis (X w) plus direction on the work coordinates system.
When the [-X (J1)] keys are pressed, Move along the minus direction.
- When the [+Y (J2)] keys are pressed, the robot will move along the Y axis (Y w) plus direction on the work coordinates system.
When the [-Y (J2)] keys are pressed, Move along the minus direction.
- When the [+Z (J3)] keys are pressed, the robot will move along the Z axis (Z w) plus direction on the work coordinates system.
When the [-Z (J3)] keys are pressed, Move along the minus direction.

When the X, Y, or Z keys are used, the operation is the same in the WORK jog and the Ex-T jog modes.

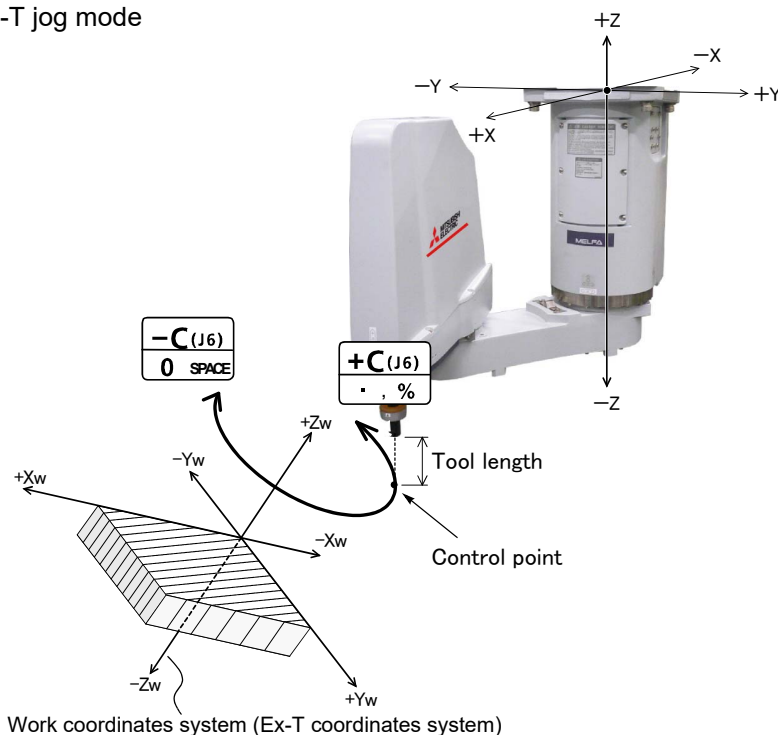
Changing the end axis posture

<1> Work jog mode



- When the [+C (J6)] keys are pressed, the Z axis will rotate in the plus direction of the XYZ coordinate system. When the [-C (J6)] keys are pressed, rotate in the minus direction.

<2> Ex-T jog mode



- When the [+C (J6)] keys are pressed, the control point will rotate in the plus direction around the Z axis (Zw) of work coordinates system (Ex-T coordinates system). When the [-C (J6)] keys are pressed, the control point will rotate in the minus direction.

◆◆◆ When the robot is in the transportation posture ◆◆◆
 There are directions from which linear movement is not possible from the transportation posture. In this case, the robot will not move. Refer to section [Page 28, "\(1\) JOINT jog operation"](#), and move the robot to a position where linear movement is possible, and then carry out XYZ jog.


◆◆◆ If the buzzer of T/B sounds and the robot does not move ◆◆◆
 If it is going to move the robot across the operation range, the buzzer of T/B sounds and the robot does not move. In this case, please move to the counter direction.

◆◆◆ Tool length ◆◆◆
 The default tool length is 0mm, and the control point is the center of the end axis.
 After installing the hand, set the correct tool length in the parameters. Refer to the separate manual "Detailed Explanation of Functions and Operations" for details.

2.3.4 Setting the hand parameters

Set the parameters to set the hand I/O type and the hand condition according to the robot hand to be used. Refer to the separate volume, "Instruction Manual/Detailed Explanations of Functions and Operations" for how to set parameters.

Table 2-6 : Hand parameter

| Parameter | Parameter name | Details explanation | Factory setting |
|------------------------------|------------------------|--|--|
| Hand I/O type | HIOTYPE | Set either the sink type or the source type for the solenoid valve and the logic of the hand input signal. -1: Not set 0: Source type 1: Sink type | -1 |
| Hand condition | HNDDAT* * is 0 to 8 | Set the initial condition of the hand. (Specify with the tool coordinate system.) (Weight, size X, size Y, size Z, center of gravity X, center of gravity Y, center of gravity Z) Unit: Kg, mm  CAUTION Set the hand and workpiece conditions correctly. If a value lower than the actual load is set, the life of robot mechanical parts may be shortened. | The setting varies depending on the model. |
| Hand condition setting check | HNDDCHK | Enable or disable whether to notify that the HNDDAT parameter is not set. 0: Disabled 1: Enabled When this parameter is set to "1" (enabled), error C0330 will occur upon power on of the controller if all the values of the hand condition parameter HNDDAT* (* = 0 to 8) are not set (not changed from the initial values). When this parameter is set to "0" (disabled), the above settings are not checked, and error C0330 does not occur even if the hand conditions are not set. This parameter is available with controller software version C2d or later. | 1 |

3 Installing the option devices

3.1 Installing the solenoid valve set

The installation summary of the solenoid valve is shown below. Remove the No.2 arm cover U, and install the solenoid valve on the No.2 arm. Turn the controller's power OFF before this installing operation. Refer to [Page 67](#), "5.3.2 Installing/removing the cover" for removing/ installing the cover.

It is necessary to set the parameters (HIOTYPE, HANDYPE) in accordance with solenoid valve type (sink type/ source type) and output signal before using the solenoid valve set.

Refer to the separate volume, "Instruction Manual/Detailed Explanations of Functions and Operations" for how to set parameters.

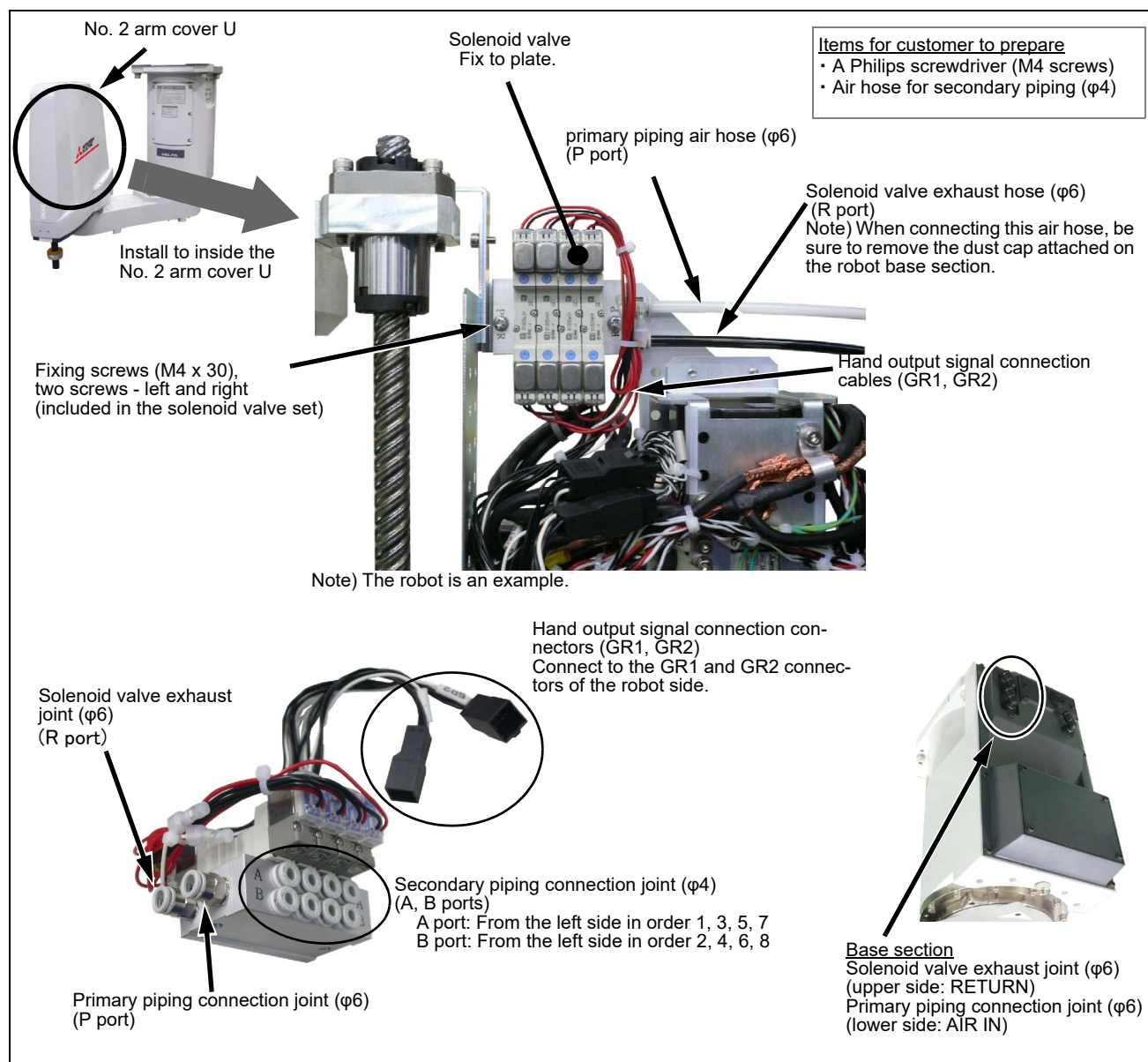


Fig.3-1 : Solenoid valve installation procedures

The installation procedure is detailed below.

- 1) Remove the screws fixing the No. 2 arm cover U, and remove the No. 2 arm cover U.
- 2) Fix the solenoid valve to the plate in the position indicated in [Fig. 3-8](#). Place it so that the solenoid valve's primary piping connection joints (P, R ports) are located on the right hand side, and fix it securely using the M4 screws included (tightening torque: 1.39 to 1.89N · m).

- 3) Connect the connector (GR1, GR2) of solenoid valve with connector of robot arm side (GR1, GR2). Connect with the same names. The hand output signal cables of the robot arm side are located close to where the solenoid valve is installed and are tied up with cable tie. Pull out and connect them to the connectors. Fix the connectors so that they will not move along with the robot movement. (Refer to [Page 59, "3.8 Connector protection when the option devices are installed"](#)).
- 4) Connect the primary piping air hose ($\phi 6$). The air hoses are located close to where the solenoid valve is installed and are tied up with cable tie. Cut the cable tie and connect them. Of the two air hoses, connect the one marked "AIR IN" to the solenoid valve's P port, and the one marked "RETURN" to the R port.

Note) When connecting the RETURN air hose, be sure to remove the dust cap attached at the RETURN joint on the robot base section. If the cap is not removed, exhaust air pressure will increase and the solenoid valve may not operate properly. By connecting the exhaust air hose ($\phi 6$: customer preparation) to this RETURN air joint, exhaust air from the solenoid valve is able to escape to the designated point.
- 5) Connect the secondary piping air hose ($\phi 4$).

The optional hand curl tube, the hand internal wiring and piping set, or the air hose prepared by customer can all be used, however when pulling the tip of the air hose out from the shaft please be sure to use the optional hand internal wiring and piping set.

Connect the air hoses to solenoid valve port A and port B. Please refer to [Table 3-1](#) and connect to the necessary ports. Covers the unused solenoid valve joints with the plugs included.

Note) When pulling the tip of the air hose out from the shaft, please be sure to use the optional hand internal wiring and piping set. Silicon grease to apply to friction points is included with the product (please refer to [Page 51, "3.5 Hand internal wiring and piping set"](#)). Further, when using the optional external wiring and piping box, the air hose can be pulled out from the rear of the No. 2 arm (please refer to [Page 54, "3.6 External Wiring and Piping Box"](#)).
- 6) If the hand output cable and the air hose have excess length, please tie the excess section by cable tie and fix it to the plate. The plate have some holes for fixing the cable/hose with a cable tie.
- 7) Install securely the No.2 arm cover U as before with fixing screws (tightening torque: 1.39 to 1.89 Nm).

Note) The installation surface of the covers is using sealing material. In the event that the sealing material has been removed or has been bent or broken to the extent that it cannot be return to the original form, be sure to replace the sealing material. Please inform the dealer, if exchange is necessary.

The installing of the solenoid valve set is completed.

The connection correspondence after installation is as shown in [Table 3-1](#).

Table 3-1 : Solenoid valve ports and hoses: Correspondence of couplings and hand ports

| Hand | Hand port | Solenoid valve port | Solenoid valve used |
|--------|-----------|---------------------|---------------------|
| Hand 1 | OPEN | 1 | 1 st row |
| | CLOSE | 2 | |
| Hand 2 | OPEN | 3 | 2 nd row |
| | CLOSE | 4 | |
| Hand 3 | OPEN | 5 | 3 rd row |
| | CLOSE | 6 | |
| Hand 4 | OPEN | 7 | 4 th row |
| | CLOSE | 8 | |

3.2 Installing the hand input cable

Fig. 3-2 shows the hand input cable's storage location on the robot.

Please use the optional external wiring and piping box to pull the hand input cable out externally. After connecting the hand input cable connector, reference Page 54, "3.6 External Wiring and Piping Box", and pull it out from the robot arm.

When passing through the inside of the shaft and using it, please use the optional hand internal wiring and piping set.

Remove the No. 2 arm cover U and connect the connector above the No. 2 arm. Turn the controller's power OFF before this operation. Refer to Page 67, "5.3.2 Installing/removing the cover" for removing/ installing the cover.

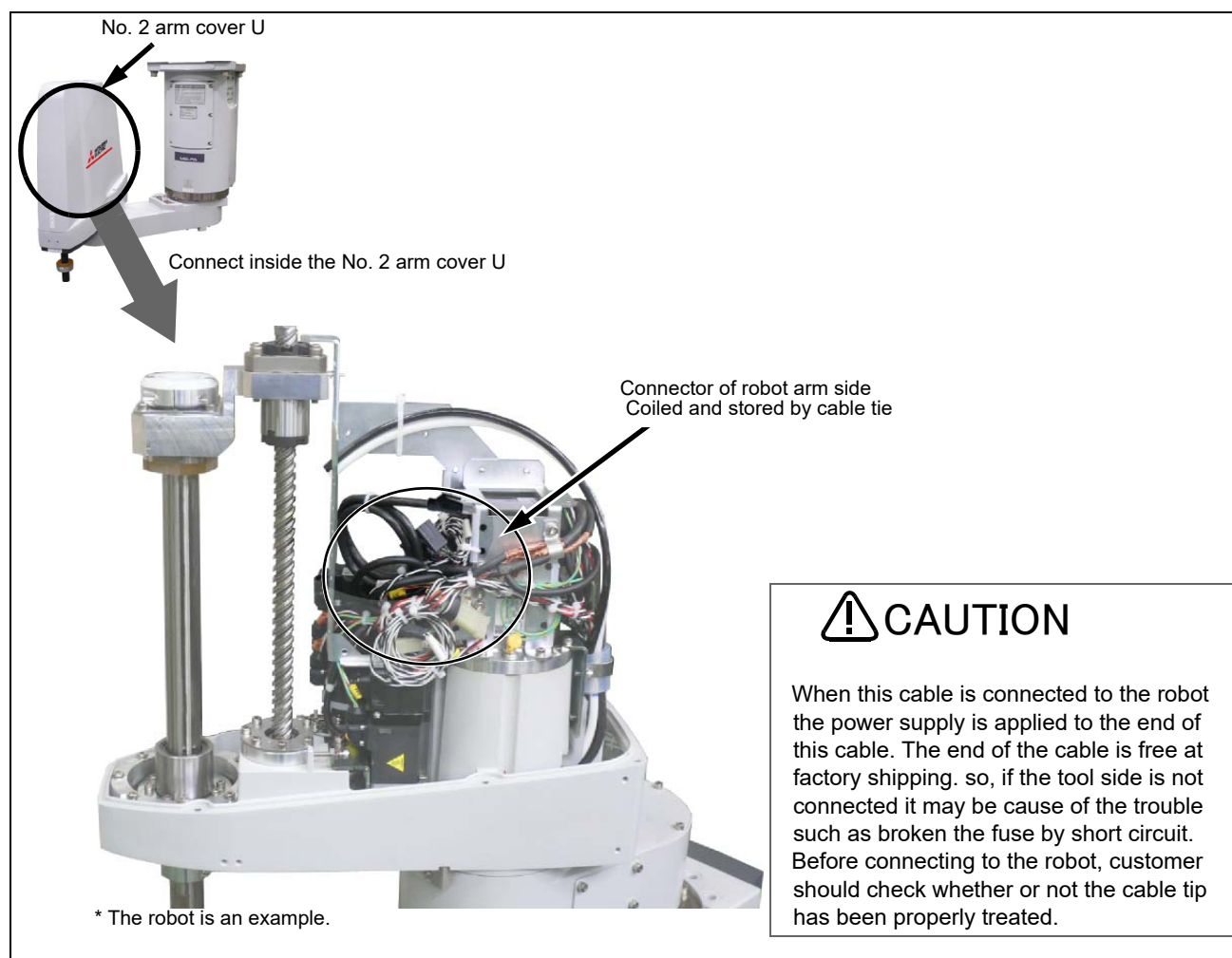


Fig.3-2 : Installing the hand input cable

The installation procedure for the hand input cable is shown below

- 1) Remove the screws fixing the No. 2 arm cover U, and remove the No. 2 arm cover U.
- 2) The hand input cable is stored in the location shown in Fig. 3-2. Pull out and check the connectors (HC1, HC2).
- 3) Connect the connector (HC1,HC2) of optional cable with connector of robot arm side (HC1, HC2). Connect with the same names. Fix the connectors so that they will not move along with the robot movement. (Refer to Page 59, "3.8 Connector protection when the option devices are installed").
- 4) Pull the hand input cables out of the robot arm. Referencing Page 54, "3.6 External Wiring and Piping Box", pull the cable out.

When installation of the optional external wiring and piping box finished, installing the hand input cable is complete.

3.3 Installing the hand output cable

Fig. 3-3 shows the hand output cable's storage location on the robot.

Please use the optional external wiring and piping box to pull the hand output cable out externally. After connecting the hand output cable connector, reference Page 54, "3.6 External Wiring and Piping Box", and pull it out from the robot arm.

Remove the No. 2 arm cover U and connect the connector above the No. 2 arm. Turn the controller's power OFF before this operation. Refer to Page 67, "5.3.2 Installing/removing the cover" for removing/ installing the cover.

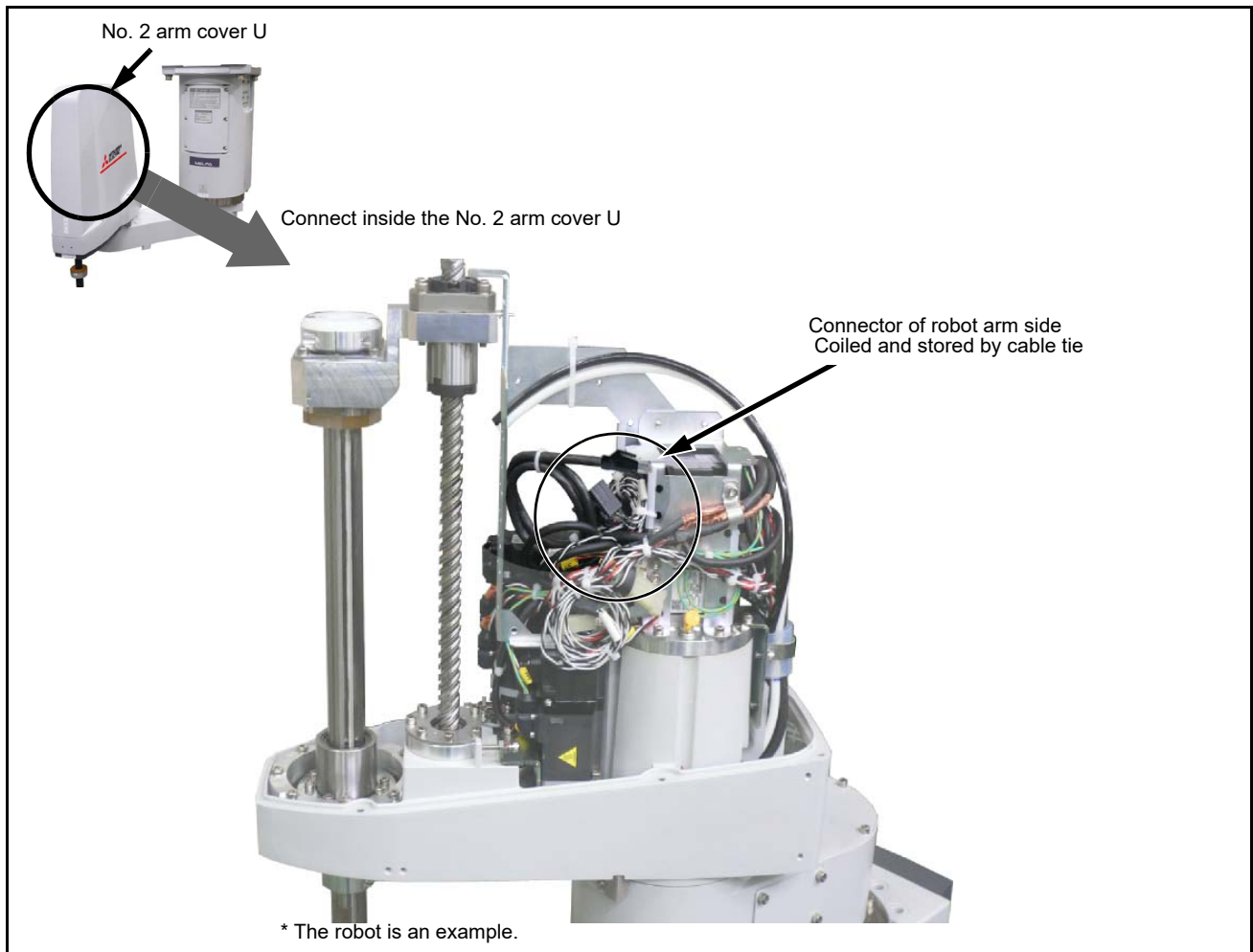


Fig.3-3 : Installing the hand output cable

The installation procedure for the hand output cable is shown below

- 1) Remove the screws fixing the No. 2 arm cover U, and remove the No. 2 arm cover U.
- 2) The hand output cable is stored in the location shown in Fig. 3-3. Pull out and check the connectors (GR1, GR2).
- 3) Connect the connector (GR1, GR2) of optional cable with connector of robot arm side (GR1, GR2). Connect with the same names. Fix the connectors so that they will not move along with the robot movement. (Refer to Page 59, "3.8 Connector protection when the option devices are installed").
- 4) Pull the hand output cables out of the robot arm. Referencing Page 54, "3.6 External Wiring and Piping Box", pull the cable out.

When installation of the optional external wiring and piping box finished, installing the hand output cable is complete.

3.4 Changing the operating range

The operating ranges of J1 axis can be limited. Change the mechanical stopper and the operating range to be set inside of that area.

If the operating range must be limited to avoid interference with peripheral devices or to ensure safety, set up the operating range as shown below.

(1) Operating range changeable angle

The operating range must be set up at angels indicated by [Table 3-2](#).

Table 3-2 : Operating range changeable angle

| | Type | Direction ^{Note1)} | Standard | Change angle ^{Note2) Note3)} | |
|----|--------------|-----------------------------|------------|---------------------------------------|------------|
| J1 | RH-1FRHR5515 | + side | +170 deg | +150 deg | +130 deg |
| | | Mechanical stopper angle | +172.3 deg | +152.3 deg | +132.3 deg |
| | | Mechanical stopper position | P10 | P11 | P12 |
| | | - side | -170 deg | -150 deg | -130 deg |
| | | Mechanical stopper angle | -172.3 deg | -152.3 deg | -132.3 deg |
| | | Mechanical stopper position | P10 | N11 | N12 |

Note1)Refer to [Fig. 3-4](#) for mechanical stopper position.

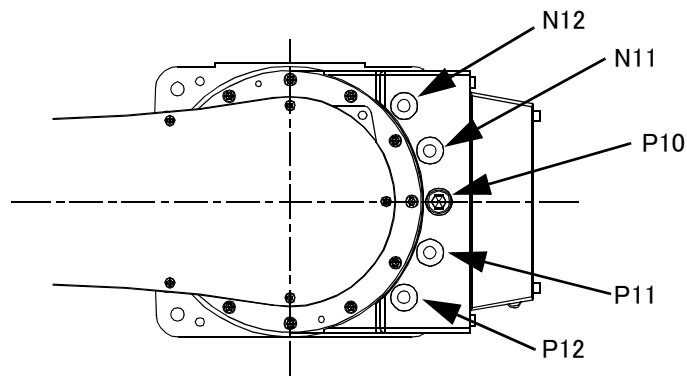
Note2)The changeable angle shown in [Table 3-2](#) indicates the operation range by the software. The mechanical stopper angle in the table shows the limit angle by the mechanical stopper. Use caution when layout designing of the robot.

Note3)The changeable angle can be set independently on the + side and - side.

(2) The change method of the operating range

■ Installation of the mechanical stopper

- 1) Turn off power to the controller.
- 2) Install the hexagon socket bolt in the screw hole to the angle to set up referring to Table 3-2 and Fig. 3-4. About the mechanical stopper position and the relation of bolt size is shown in Fig. 3-4. When the screw hole is covered by the arm, move the No.1 armslowly by hand.



Installation bolt:
Hexagon socket head cap screw
• M10 x 20

* Changing the operating range is prepared optional.

Fig.3-4 : Mechanical stopper position

■ Change the operating range parameters

Specify the operating range to parameters MEJAR with appropriate values (variable angles given in Table 3-2) by the following steps:

- 1) Turn on power to the controller.
- 2) Set up the operating range changed into parameter MEJAR
MEJAR: (J1 minus (-) side, J1 plus (+) side, □ , □ , □ , ...).

■ Change the mechanical stopper origin position parameters

If you have changed operating range on the J1 minus(-) side, change mechanical stopper origin position parameters by the following step:

- 1) Set MORG parameter to the angle which set mechanical stopper position.
MORG: (J1 mechanical stopper angle, □ , □ , □ , ...).

■ Check the operating range

After changing the parameter, turn off the controller power and turn on again. Then, move the axis changed by joint jog operation to the limit of the operating range.

Confirm that the robot stops by limit over at the changed angle.

The changing of the operating range is completed.

3.5 Hand internal wiring and piping set

Remove the No. 2 arm cover U and fix this option to the plate on the No. 2 arm.

Turn the controller's power OFF before this operation. Refer to [Page 67, "5.3.2 Installing/removing the cover"](#) for removing/ installing the cover.

(1) Installation procedure

The installation procedure is shown below.

Refer to the installation diagram shown from the next section, and perform the installation correctly. Installation diagram is shown in [Fig. 3-5](#).

- 1) Move the J3 axis to the top end with a jog operation and shut off the controller's power supply. This is necessary for space standard settings when feeding the air hose and hand input cable through the inside of the shaft.
- 2) Remove the screws fixing the No. 2 arm cover U, and remove the No. 2 arm cover U.
- 3) Pass the tool (hand) side of the secondary piping air hoses and hand input cables through the shaft. Make sure that the air hoses and the cables are not twisted or crossed.
- 4) Fix the air hoses and the cables with a cable tie so as to position the end of the expanding sleeve 10mm away from the opening of the shaft.
- 5) The highest point of the curved section of the air hoses and cables should be matched up with the top of the fixing plate.

CAUTION

If the air hoses and the cables are not long enough or too long, when the robot operates, excessive bending and friction with the shaft upper end or the cover may result in a break or abnormal operations of the tool (hand).

- 6) In the state of the steps 4) and 5), fix the air hoses and the cables to the (a) and (b) portions of the plate with cable ties. For the (a) portion, wrap the air hoses and the cables with cushion rubber before fixing.
- 7) Cut the secondary piping air hoses in appropriate length, and connect the air hoses to the solenoid valve. The diagram shows the connection to the optional solenoid valve as an example. The air hoses can also be pulled out from the rear of the No. 2 arm by using another option: an external wiring and piping box. For the details, refer to [Page 54, "3.6 External Wiring and Piping Box"](#). For the connection to the optional solenoid valve, connect the air hoses to the A and B ports of the solenoid valve.
- 8) When using the hand input cable connect the connectors (HC1, HC2) of optional hand input cable to connectors (HC1, HC2) of robot side. Connect with the same names. The connectors of robot side and cables are tied up by cable tie at (c) portion. Cut the cable tie and pull them out. The connected connectors are stored to the (c) portion. When the hand input cable is not used tie up the connector and fix to the plate by cable tie.

CAUTION

Do not remove the cable ties which fixing connectors. Fix the plate on the No. 2 arm, other cables and air hoses with cable ties. In this way, the internal cables and connectors do not touch the plate edge and others, or break due to the vibration during the robot operation (Refer to [Page 59, "3.8 Connector protection when the option devices are installed"](#)).

- 9) Carry out piping and wiring on the tool side. Fix the air hoses and the cables, which are pulled out from the shaft lower end, to the hand side. Check again that the highest point of the curved section of the air hoses and the cables reaches the height of the fixing plate upper end, and then fix the air hoses and the cables at the outlet of the shaft. When an optional bellows set has been installed to the robot and then required cleanliness, to ensure the cleanliness level, use liquid gasket and others to seal the outlet on the shaft tip where the air hoses and the cables are pulled out.
- 10) Apply silicon grease to the contact surface between the air hoses of the fixing plate and the cables, the cable sliding portion from the shaft upper end to the fixed portion, and the opening on the shaft upper end.
- 11) Power on the controller, perform the jog operation for the J3 and J4 axes, and check that the air hoses and the cables do not interfere with other components.

 CAUTION

Do not power on the controller when the internal cables are connected to the connectors on the robot.

If the end of the cables on the tool side is not processed, troubles such as fuse blown by ground fault or short circuit may occur. Check that the end of the cables has been processed before powering on the controller.

- 12) Turn off the controller's power supply, then install the No.2 arm cover U securely as before with fixing screws (tightening torque: 1.39 to 1.89 Nm).

When installing the cover, check that no air hose or cable is pinched, and no air hose is bent.

Note) The installation surface of a covers is using sealing material. In the event that the sealing material has been removed or has been bent or broken to the extent that it cannot be return to the original form, be sure to replace the sealing material. Please contact dealer when the sealing material needs to be replaced.

The installing of the hand internal wiring and piping set is completed.

Refer to Page 51, "(1) Installation procedure" and install cables and air hoses correctly. The numbers in Fig. 3-5 are correspond to the same numbers in "(1)Installation procedure".

Turn the controller's power OFF before this operation. Refer to Page 67, "5.3.2 Installing/removing the cover" for removing/ installing the cover.

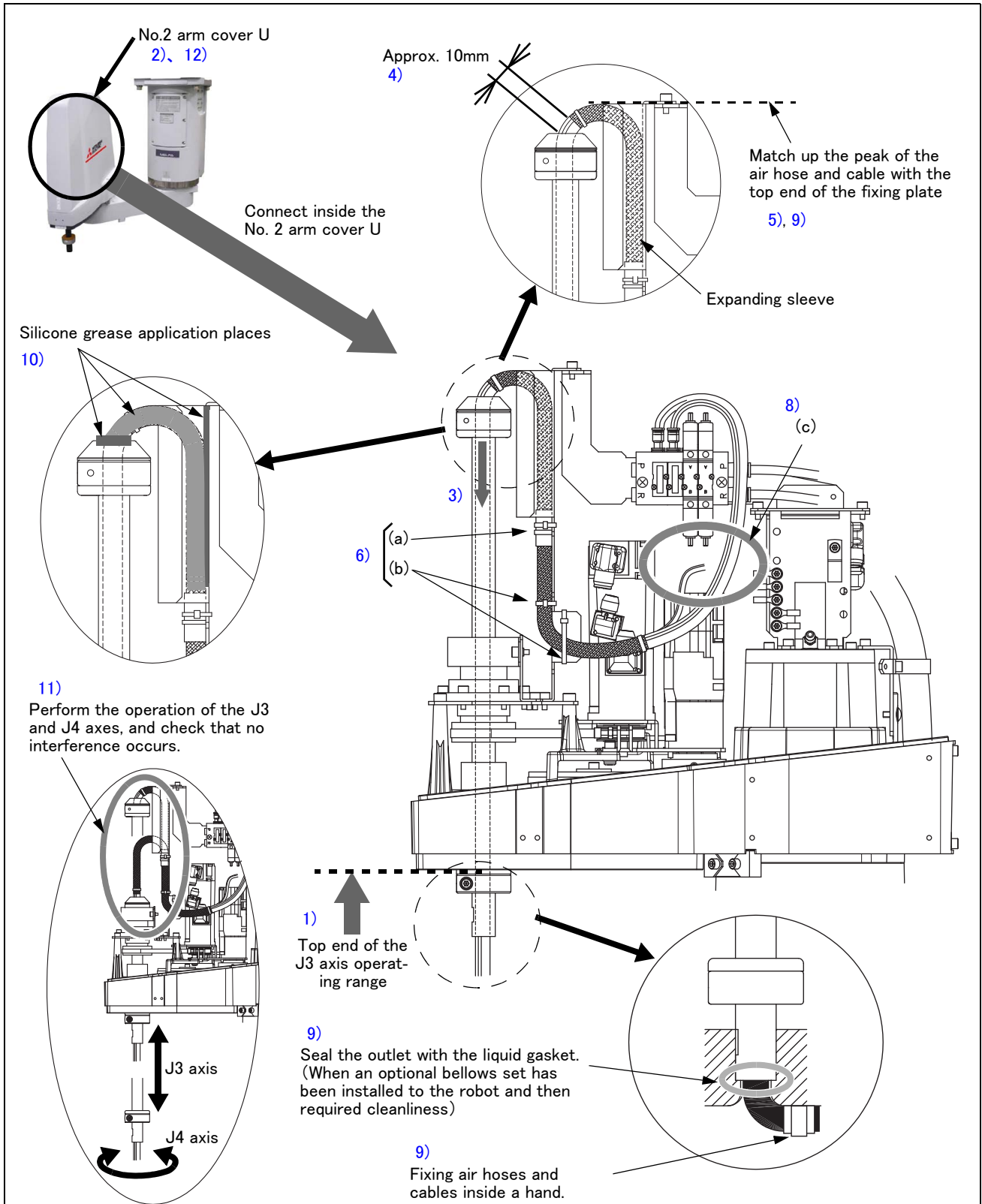


Fig.3-5 : Installing the hand internal wiring and piping set

3.6 External Wiring and Piping Box

The air hose that is connected inside the robot, the optional hand output cable, the hand input cable, etc., can all be pulled out from the rear of the No. 2 arm.

These can be used to connect a customer supplied solenoid valve to the hand output cable, etc.

When using this option, J1 axis operating range is limited ± 120 degree. And a stopper for changing the operating range option is required.

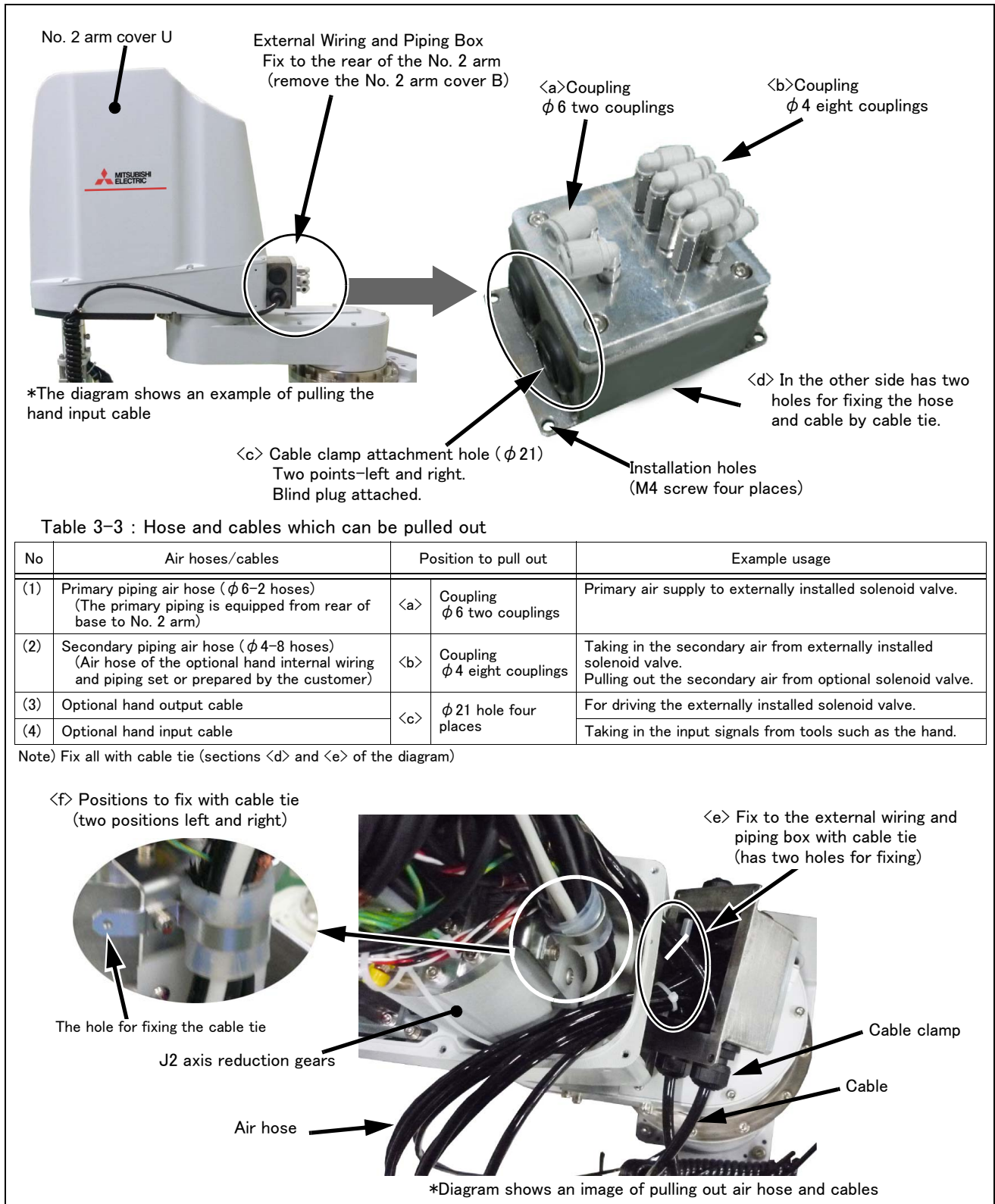


Fig.3-6 : External Wiring and Piping Box

Fig. 3-6 shows the installation procedure for the external wiring and piping box. Remove the No. 2 arm cover B and install this option using the same screw holes. The installation procedure is shown below.

Turn the controller's power OFF before this operation. Refer to Page 67, "5.3.2 Installing/removing the cover" for removing/ installing the cover.

- 1) Remove the each fixing screws and remove the No. 2 arm cover U and the No. 2 arm cover B.
- 2) Pull out the air hoses or cables from the opening which removed the No. 2 arm cover B.
- 3) Fix (or connect) the air hoses and cables to this option box.

Previously adjust the air hose and cables to an appropriate length. Make sure that the wiring and piping lines avoid the side of the J2 reducer (because gap is narrow, it interfere with the No. 2 arm cover U).

Connect the air hoses with the joint inside this option box.

Remove the blind plug attached to this option box and fix the cable with the cable clamp.

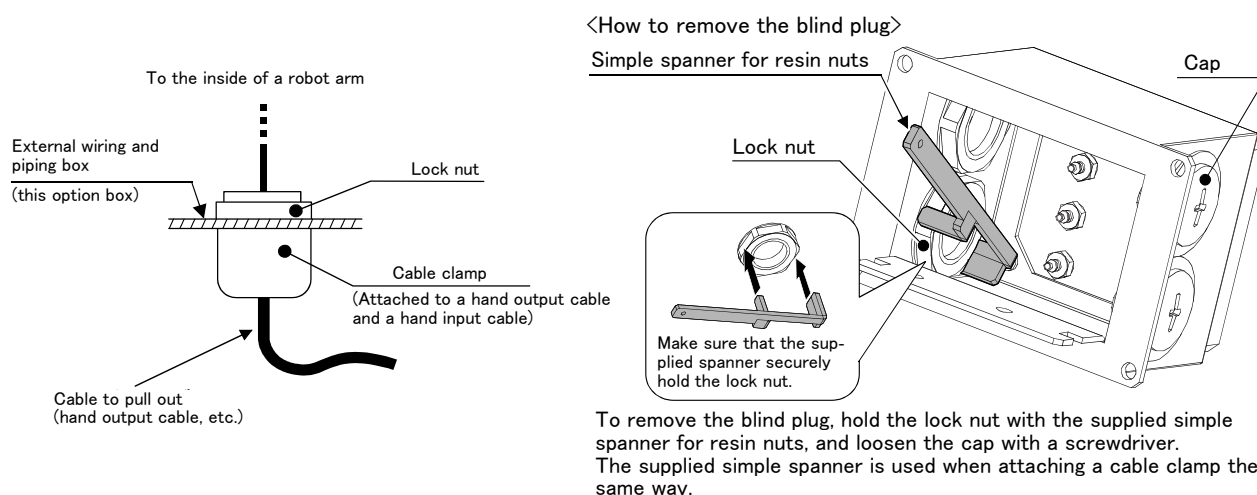


Fig.3-7 : Fixing the Cable

- 4) Fix the air hoses and cables to the hole inside of this box by using the attached cable tie. (section <e> of Fig. 3-6)

Note) Be sure to fix the air hoses and cables to prevent the hoses falling out and breaking the cable. Also, fix carefully so that the air hose and cables may not be pulled too much.

- 5) Install securely the external wiring and piping box to the screw holes that previously installed the No. 2 arm cover B by attached screw. (tightening torque: 1.39 to 1.89Nm).

When installing pull it little by little from the No. 2 arm side, making sure that the air hose and cables are not bent or trapped.

- 6) Make sure that the wiring and piping lines on the No.2 arm avoid the side of the J2 reducer (because gap is narrow, it interfere with the No. 2 arm cover U).

Fix the hoses and cables to the hole shown in section <f> of Fig. 3-6 using cable tie. There are 2 holes, located left and right.

- 7) If the cables and the air hoses have excess length, please tie the excess section using cable tie.

- 8) Install securely the No.2 arm cover U as before with fixing screws (tightening torque: 1.39 to 1.89 Nm).

Note) The installation surface of the covers is using sealing material. In the event that the sealing material has been removed or has been bent or broken to the extent that it cannot be return to the original form, be sure to replace the sealing material. Please contact dealer when the sealing material needs to be replaced.

When an optional bellows set has been installed to the robot and then required cleanliness, to ensure the cleanliness level, use liquid gasket and others to seal the outlet on the shaft tip where the air hoses and the cables are pulled out.

- 9) Turn on the power supply, and set the parameter to change the operating range.

| Parameter | Factory default setting | Contents of the change |
|-----------|------------------------------|---|
| MEJAR | -170, 170, □, □, □, □, □, …… | -120, 120 , □, □, □, □, …… (J1 axis operating range is limited ±120 degree) |

Note) Refer to the separate "Instruction manual/Detailed Explanation of Functions and Operations" for the details of the setting method.



The parameter must be changed to limit J1 axis operating range to ± 120 degree. If the parameter not be changed, this option and a robot could interfere and cause breakage.

- 10) After changing the parameter, turn off the controller power and turn on again. And, move the axis changed by joint jog operation to the limit of the operating range. Confirm that the robot stops by limit over at the changed angle.

The installing of the external wiring and piping box is completed.

3.7 Installing the vacuum valve set

The installation summary of the vacuum valve is shown bellow. Remove the No.2 arm cover U, and install the vacuum valve on the No.2 arm. Turn the controller's power OFF before this installing operation. Refer to [Page 67](#), "5.3.2 Installing/removing the cover" for removing/ installing the cover.

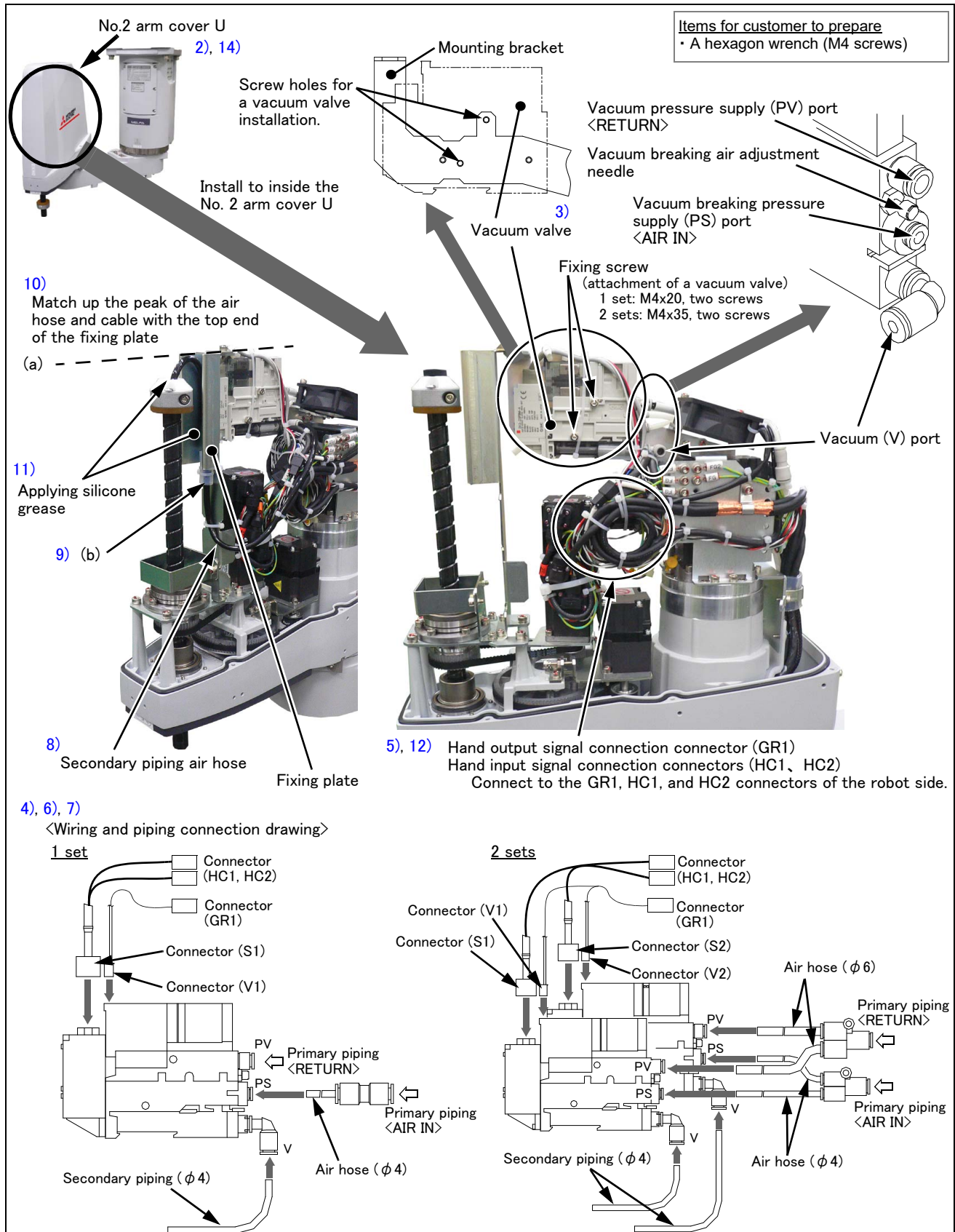


Fig.3-8 : Vacuum valve installation procedures

The installation procedure is detailed below.

- 1) Move the J3 axis to the top end with a jog operation and shut off the controller's power supply. This is necessary for space standard settings when feeding the air hose and hand input cable through the inside of the shaft.
- 2) Remove the screws fixing the No. 2 arm cover U, and remove the No. 2 arm cover U.
- 3) Fix the vacuum valve to the mounting bracket in the position indicated in Fig. 3-8. Place it so that the vacuum valve's primary piping connection joints (PV, PS, V ports) are located on the right hand side, and fix it securely using the attachment M4 screws (tightening torque: 1.39 to 1.89N · m).
When using a 2 sets vacuum valve, two vacuum valves are jointly fastened to the mounting bracket with screws.
- 4) Connect supplied cables and air hoses. The cables are connected to the vacuum valve by using the following connector.
1 set: connector S1 and V1
2 sets: connector of S1, S2, V1, and V2
- 5) Connect the hand input/output signal connection connectors (GR1, HC1, and HC2) of the vacuum valve with hand input/output signal connection connectors of robot arm side (GR1, HC1, and HC2). Connect with the same names.
The hand output signal cables of the robot arm side are located close to where the vacuum valve is installed and are tied up with cable tie. Pull out and connect them to the connectors.
- 6) Connect the primary piping air hose ($\phi 6$). The air hoses are located close to where the vacuum valve is installed and are tied up with cable tie. Cut the cable tie and connect them. Of the two air hoses, connect the one marked "AIR IN" to the vacuum valve's PS port, and the one marked "RETURN" to the PV port.
- 7) Connect the secondary piping air hose ($\phi 4$).
- 8) Pass the secondary piping air hose through the shaft.
- 9) The silicon rubber is supplied together with the vacuum valve to prevent bending the air hose. Wrap a secondary piping air hose in the silicon rubber and fix them with supplied cable tie at (b) portion shown in Fig. 3-8.
- 10) Carry out piping on the tool side.



CAUTION

Fix the air hose to the hand side. Check again that the highest point of the curved section of the air hose reaches the height of the fixing plate upper end, and then fix the air hose at the tool side. If the air hose is not long enough or too long, when the robot operates, excessive bending and friction with the shaft upper end or the cover may result in a break or abnormal operations of the tool (hand).

- 11) Apply silicon grease to the contact surface between the air hose of the fixing plate, the air hose sliding portion from the shaft upper end to the fixed portion, and the opening on the shaft upper end.
- 12) If the air hose have excess length, fix the excess section of the air hose at the plate with the cable tie.
- 13) Power on the controller, perform the jog operation for the J3 and J4 axes, and check that the air hose do not interfere with other components.
- 14) Turn off the controller's power supply, then install the No.2 arm cover U securely as before with fixing screws (tightening torque: 1.39 to 1.89 Nm).

Note) The installation surface of the cover is using sealing material. In the event that the sealing material has been removed or has been bent or broken to the extent that it cannot be return to the original form, be sure to replace the sealing material. Please contact dealer when the sealing material needs to be replaced.

The installing of the solenoid valve set is completed.

3.8 Connector protection when the option devices are installed

The connectors for the hand input and output cables are stored inside the No. 2 arm so that they do not rub against peripheral parts under the vibrations generated by the robot movement. When an option device is installed, the stored connectors are pulled out for connection to the option device. To avoid interference with peripheral parts, the connectors must be fixed.

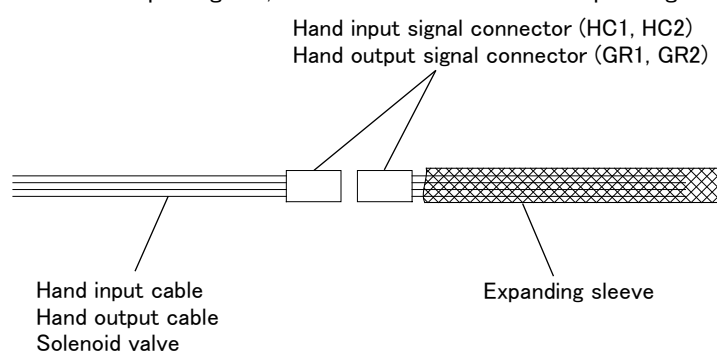
Otherwise, the hand input or output cable may break.

The following shows an example of how to fix the connectors.

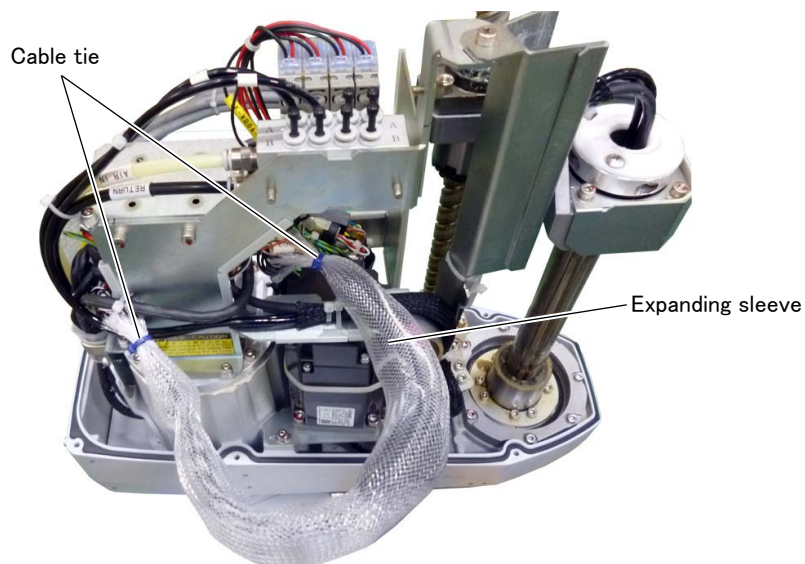
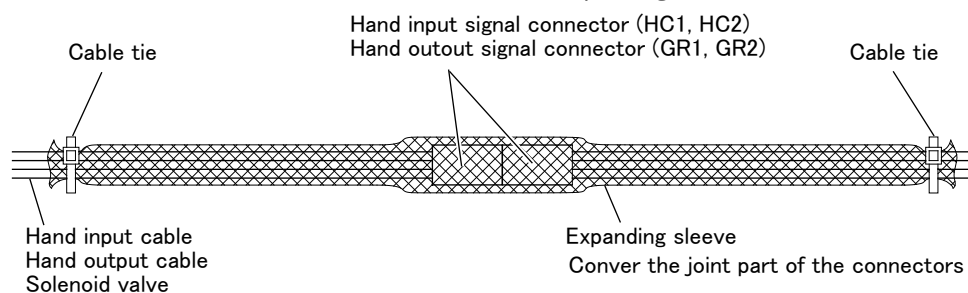
Table 3-4 : Customer prepared products

| Name | Qty. | Recommended product (Manufacture) |
|------------------|-------------|---|
| Expanding sleeve | 440mm | EXP-13-PT (Kitagawa Industries Co., Ltd.) |
| Cable tie | 5 to 6 pcs. | T18R (HellermannTyton Co., Ltd.) |

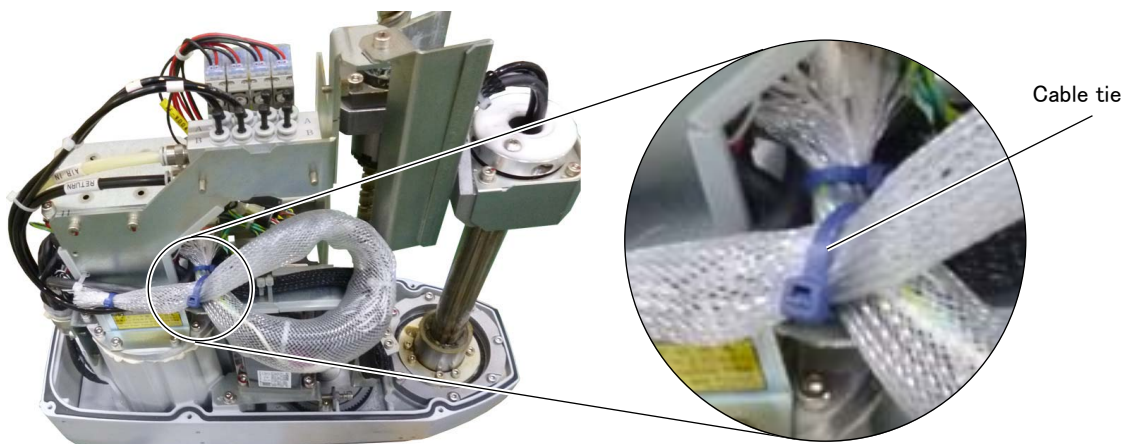
- 1) Before connecting the HC1 and HC2 connectors for the hand input signals and the GR1 and GR2 connectors for the hand output signals, insert the cables into the expanding sleeve.



- 2) Connect the HC1 and HC2 connectors for the hand input signals and the GR1 and GR2 connectors for the hand output signals, and cover the joint part with the expanding sleeve. Fix the cables with cable ties at the both ends of the expanding sleeve.



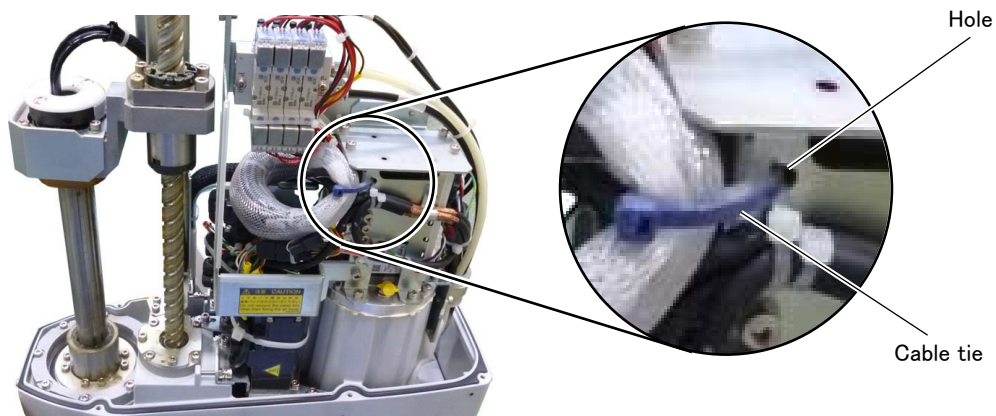
3) Arrange the expanding sleeve in a ring-like shape and fix it with a cable tie.



4) Store the expanding sleeve in the position shown in the figure below.



5) Fix the expanding sleeve with a cable tie using a hole on the metal plate.



Connector protection is completed.

4 Basic operations

The basic operations from creating the program to automatic operation are explained in section "4. Basic operations" in the "Controller setup, basic operation, and maintenance" manual. Refer that manual as necessary.

5 Maintenance and Inspection

The maintenance and inspection procedures to be carried out to use the robot for a long time without trouble are described in this chapter. The types and replacement methods of consumable parts are also explained.

5.1 Type of inspection and maintenance works

Maintenance and inspection are divided into the inspections carried out daily, and the periodic inspections carry out at set intervals. Always carry these out to prevent unforeseen trouble, to maintain the product for a long time, and to secure safety.

Table 5-1 lists the type of inspection and maintenance works.

Table 5-1 : Type of inspection and maintenance works

| No. | Type of inspection and maintenance works | | Description | Operating time ^{Note1)} |
|-----|--|---------------------|---|----------------------------------|
| 1 | Daily inspection | | Inspection works to be performed every day before starting operation for the safe use of the robot. | – |
| 2 | Periodic inspection | Monthly inspection | Inspection and maintenance works to be performed every month. | Every 300hr |
| 3 | | 6-month inspection | Inspection and maintenance works to be performed every 6 months. | Every 1,800hr |
| 4 | | 2-year inspection | Inspection and maintenance works to be performed every 2 years. | Every 7,200hr |
| 5 | | Battery replacement | Replacement of the backup battery of the robot. Replace the battery every year regardless of the operating hours. | – |
| 6 | | Lubrication | Lubrication of each axis (including the shaft) of the robot. Refer to Page 83, "5.3.6 Lubrication" for the lubrication schedule. | – |

Note1) The operating hours assume the robot operation of 15 hours per day for 20 days per month.

When the robot operates for 8 hours per day, the operating hours per month become about a half of the one under the above condition. Then, the monthly inspection is required every two months. To check the periodic inspection schedule and calculate the operating hours, refer to Page 65, "(2) Schedule".

5.2 Inspection items

The inspection items for the robot arm are shown below.

Also refer to section "5. Maintenance and inspection" in the "Controller setup, basic operation, and maintenance" manual, and inspect the controller.

5.2.1 Daily inspection items

Table 5-2 shows the procedure and inspection items. If you notice any abnormal condition, take appropriate measures.

Table 5-2 : Daily inspection items (details)

| Procedure | Inspection item (details) | Remedies |
|--|---|--|
| Before turning power ON (Check the following items before turning the power ON.) | | |
| 1 | Are any of the robot installation bolts loose? (Visual) | Securely tighten the bolts. |
| 2 | Are any of the cover tightening screws loose? (Visual) | Securely tighten the screws. |
| 3 | Are any of the hand installation bolts loose? (Visual) | Securely tighten the bolts |
| 4 | Is the power supply cable securely connected? (Visual) | Securely connect. |
| 5 | Is the machine cable between the robot and controller securely connected? (Visual) | Securely connect. |
| 6 | Are there any cracks, foreign contamination or obstacles on the robot and controller cover? | Replace with a new part, or take remedial measures. |
| 7 | Is there any abnormality in the pneumatic system? Are there any air leaks, drain clogging or hose damage? Is the air source normal? (Visual) | Drain the drainage, and remedy the air leaks (replace the part). |
| 8 | Are there any cracks, foreign contamination or obstacles on the bellows? (For bellows-installed robot) (Visual) | Replace with a new bellows. |
| After turning the power ON (Turn the power ON while monitoring the robot.) | | |
| 1 | Is there any abnormal motion or abnormal noise when the power is turned ON? | Follow the troubleshooting section. |
| During operation (try running with an original program) | | |
| 1 | Check whether the movement points are deviated? Check the following points if there is any deviation. 1. Are any installation bolts loose? 2. Are any hand installation section bolts loose. 3. Are the positions of the jigs other than the robot deviated? 4. If the positional deviation cannot be corrected, refer to "Troubleshooting", check and remedy. | Follow the troubleshooting section. |
| 2 | Is there any abnormal motion or abnormal noise? (Visual) | Follow the troubleshooting section. |

5.2.2 Periodic inspection

The inspection items and timings for the robot arm are shown below.

(1) Inspection item

Carry out periodic inspection given in [Table 5-3](#).

Table 5-3 : Periodic inspection items (details)

| Inspection item (details) | Remedies |
|--|---|
| Monthly inspection | |
| Are any of the bolts or screws on the robot arm loose? | Securely tighten the bolts. |
| Are any of the connector fixing screws or terminal block terminal screws loose? | Securely tighten the screws. |
| 6-month inspection | |
| Has the dust accumulated into bellows? (For bellows-installed robot. When environment with much dust) | Remove bellows and clean the inside. (Refer to Page 82 , "5.3.5 Replacing the bellows (Option)" for how to remove bellows) |
| 2-year inspection ^{Note1)} | |
| Is the friction at the timing belt teeth severe? | If the teeth are missing or severe friction is found, replace the timing belt. |
| Is the timing belt tension value more than the guideline value? Does any position mismatch occur? | When the tension value becomes less than the guideline value, the timing belt must be replaced. |
| Battery replacement | |
| Replace the backup battery in the robot arm. Replace the battery every year regardless of the operating hours. | Replace it referring to Page 85 , "5.3.7 Replacing the backup battery". |
| Lubrication | |
| Check the lubrication schedule for each axis, and perform lubrication. The lubrication schedule differs according to the model. | Lubricate it referring to Page 83 , "5.3.6 Lubrication". |
| Is enough grease applied on the shaft? (Greasing is required approximately every 2000 km.) | |

Note1) When the robot is operated 24 hours a day or with a heavy load, it is recommended to be inspected every 6 months (1,800hr).

(2) Schedule

The following shows the schedule for the periodic inspection works. Perform the periodic inspection works as appropriate according to the following table.

| Operating time Note1) | Inspection schedule | | Type of periodic inspection works Note2) | | | | |
|--------------------------|---------------------|-----------------|--|--------------------|-------------------|----------------------|--------------------------|
| | 15 hours per day | 8 hours per day | Monthly inspection | 6-month inspection | 2-year inspection | Battery replacement | Lubrication |
| 300hr | 1 month | 2 months | ○ | | | Every year Note3) | As appropriate Note4) |
| 600hr | 2 months | 4 months | ○ | | | | |
| 900hr | 3 months | 6 months | ○ | | | | |
| 1,200hr | 4 months | 8 months | ○ | | | | |
| 1,500hr | 5 months | 10 months | ○ | | | | |
| 1,800hr | 6 months | 12 months | ○ | ○ | | | |
| : | : | : | : | : | : | | |
| 3,600hr | 12 months | 24 months | ○ | ○ | | | |
| : | : | : | : | : | : | | |
| 7,200hr | 24 months | 48 months | ○ | ○ | ○ | | |
| : | : | : | : | : | : | | |
| 10,800hr | 36 months | 72 months | ○ | ○ | | | |

Note1)The following shows examples of calculation of the operating hours.

- Operating hours when the robot operates 15 hours per day for 20 days per month for three months:
 $15 \text{ hr/day} \times 20 \text{ days/month} \times 3 \text{ months} = 900\text{hr}$
- Operating hours when the robot operates 8 hours per day for 20 days per month for three months:
 $8 \text{ hr/day} \times 20 \text{ days/month} \times 3 \text{ months} = 480\text{hr} \dots \text{Approx. } 500 \text{ hr}$

Note2)The item marked with the circle (○) is to be performed. According to the guideline of the operating hours, perform the inspection to check the items described in [Table 5-3](#).

Note3)Replace the battery every year regardless of the operating hours.

Note4)Check the lubrication interval described in [Page 83, "5.3.6 Lubrication"](#).

5.3 Maintenance and inspection procedures

The procedures for carrying out the periodic maintenance and inspection are described in this section. Thoroughly read the contents, and follow the instructions. This work can be commissioned to the Mitsubishi Service Department for a fee. (Never disassemble, etc., the parts not described in this manual.)

The maintenance parts, etc., required for the customer to carry out maintenance and inspection are described in Page 88, "5.5 Maintenance parts" of this manual. Always contact your dealer when parts are needed.

⚠ CAUTION The origin of the machine system could deviate when this work is carried out. "Review of the position data" and "re-teaching" will be required.

5.3.1 Robot arm structure

An outline structure drawing is shown below.

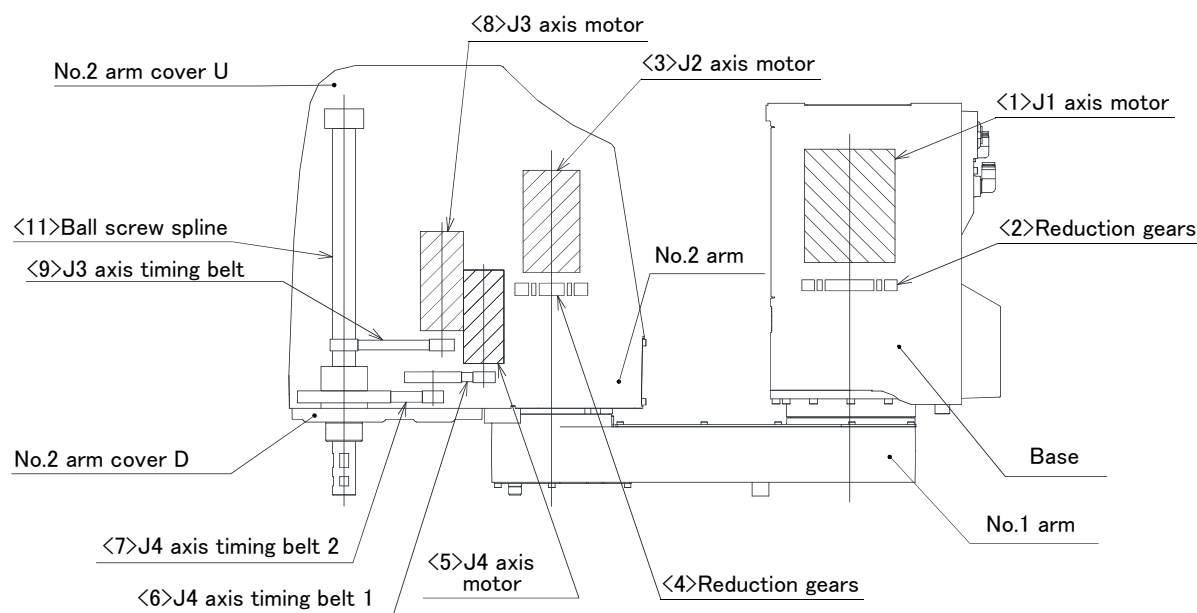


Fig.5-1 : Outline structure drawing of robot arm

5.3.2 Installing/removing the cover

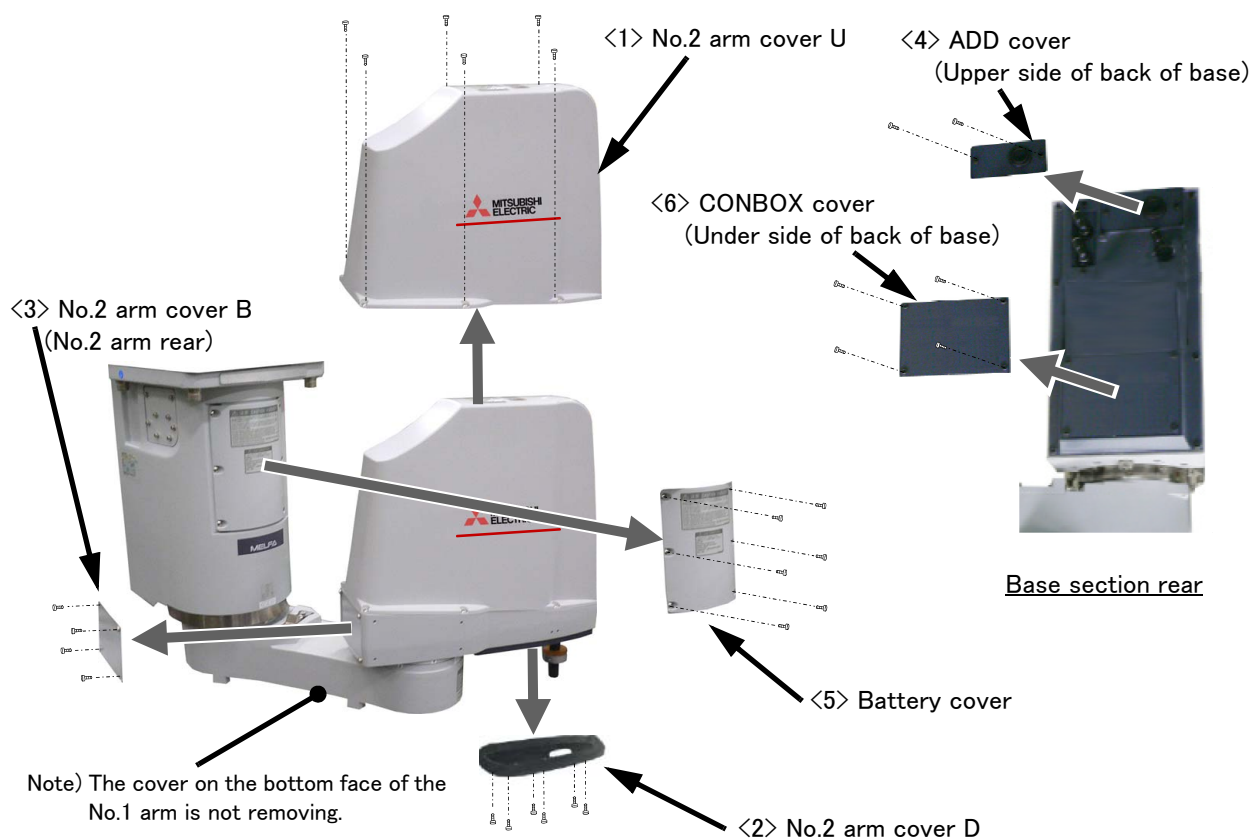


Fig.5-2 : Installing/removing the cover

**CAUTION**

Check that the packing is not torn or separated while installing or removing the cover. If you find that the packing is torn or separated, contact the dealer. If you keep using the robot with the torn or separated packing, oil mist or the like may get into the robot, resulting in malfunction of the robot.

Table 5-4 : Cover name and installation screw list

| No. | Cover name | Installation screw name ^{Note1)} | Qty. | Remarks |
|-----|------------------|---|------|---------|
| <1> | No.2 arm cover U | Truss head screw, M4 x 10 | 6 | |
| <2> | No.2 arm cover D | Truss head screw, M4 x 10 | 6 | |
| <3> | No.2 arm cover B | Hexagon socket screw, M4 x 8 | 4 | |
| <4> | ADD cover | Hexagon socket screw, M4 x 8 | 2 | |
| <5> | Battery cover | Truss head screw, M4 x 10 | 6 | |
| <6> | CONBOX cover | Hexagon socket screw, M4 x 8 | 4 | |

Note1) The fixing torque for each screw are 1.39–1.89Nm.

- (1) Refer to Fig. 5-2, and remove the covers.
- (2) The names of the cover and installation screw are given in Table 5-4. The number in Table 5-4 correspond to Fig. 5-2.
- (3) When reattaching the covers after a maintenance inspection, proceed in the reverse order of their removal. Tightening the screw with the torque shown in Table 5-4.

[Note] Sealant is applied to the installation surface of cover. Be sure to replace the sealant if it has been dislocated and bent or crushed and does not return to its original shape. Moreover, when replacing a sealant, it is necessary to remove the optional bellows.

5.3.3 Packing Replacement Procedure

When signs of cracking or peeling are noted in the packing, they must be replaced. Replace the packing in accordance with the instructions given below. If the packing is not replaced in a timely manner, water or oil will be allowed to intrude the robot, possibly making it inoperative.

(1) Packing Replacement Instructions

Stick again new packing as before.

- 1) Remove the old packing, and clean and degrease the surface on which it has been placed.
- 2) The sticking surface of packing is double-coated adhesive tape. Referring to "Fig.5-3 : Example of sticking packing (good example)" and "Fig.5-5 : Sticking the cord-like packing", and stick the packing in line with form . Be careful for the packing not to slide. The example of unsuitable packing slid is shown in "Fig.5-4 : Example of sticking packing (bad example)".
- 3) Extra length is included for each packing piece used on the cover where two or more pieces are attached to one place. Stick packing in the following procedures. For more information, see "Fig.5-6 : Examples of packing overlaps". Examples of improperly treated cut edge are shown, as well.
 - a) Stick packing in line with form of the sticking surface. Finally, cut packing so that adjoining pieces have a 1mm overlap at the end.
 - b) Apply liquid gasket to the cut edges. (Designated liquid gasket: 1212 (Maker: Three Bond))
 - c) Stick so that the gap may not be made to each other's packing.

⚠ CAUTION Do not install the cover immediately after sticking packing. Install the cover, after the 6 hours pass after sticking packing for gasket hardening.

- 4) Confirm that packing is stuck correctly and install the cover. When tightening the bolts fixing the cover, avoid tightening them to a specified torque at a time. Tighten the bolt in the order shown as much as possible in the "Fig. 5-7 Example of order which tighten bolts" The torque which tightens the fixing bolt of each cover is shown in "Table 5-4 : Cover name and installation screw list".

⚠ CAUTION Stick the packing securely, pressing down with the finger. If sticking is insufficient, when the cover is installed, packing slides by the pressure, and there is a possibility that it may become impossible to secure protection performance.

The packing replacement is completed.



Fig.5-3 : Example of sticking packing (good example)

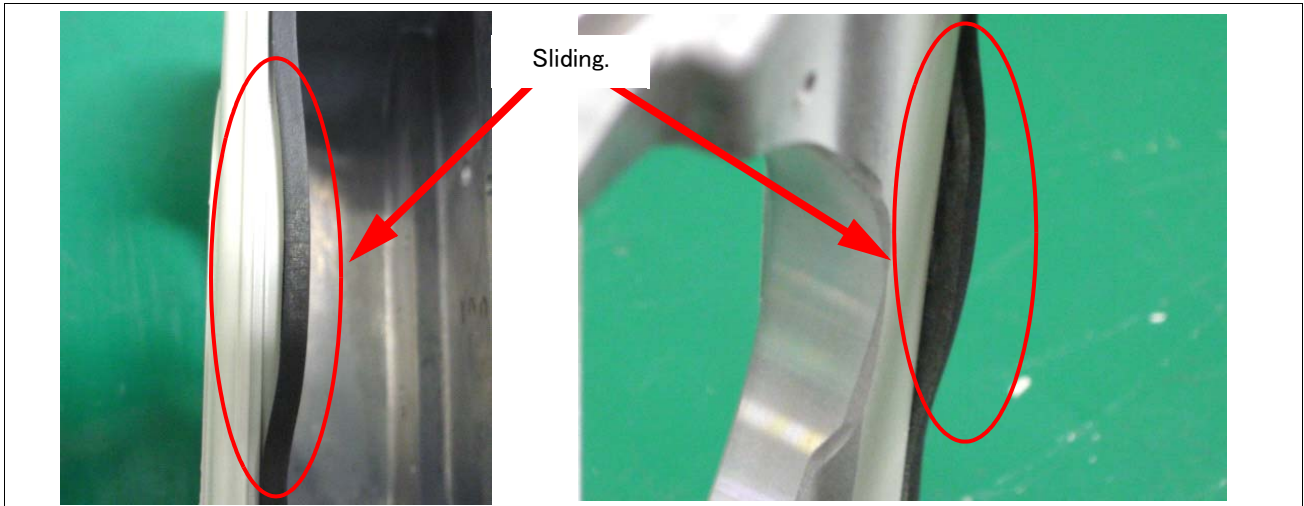


Fig.5-4 : Example of sticking packing (bad example)

Some of the packings to be used are cord-like.
Stick such packings by bending in line with the form.

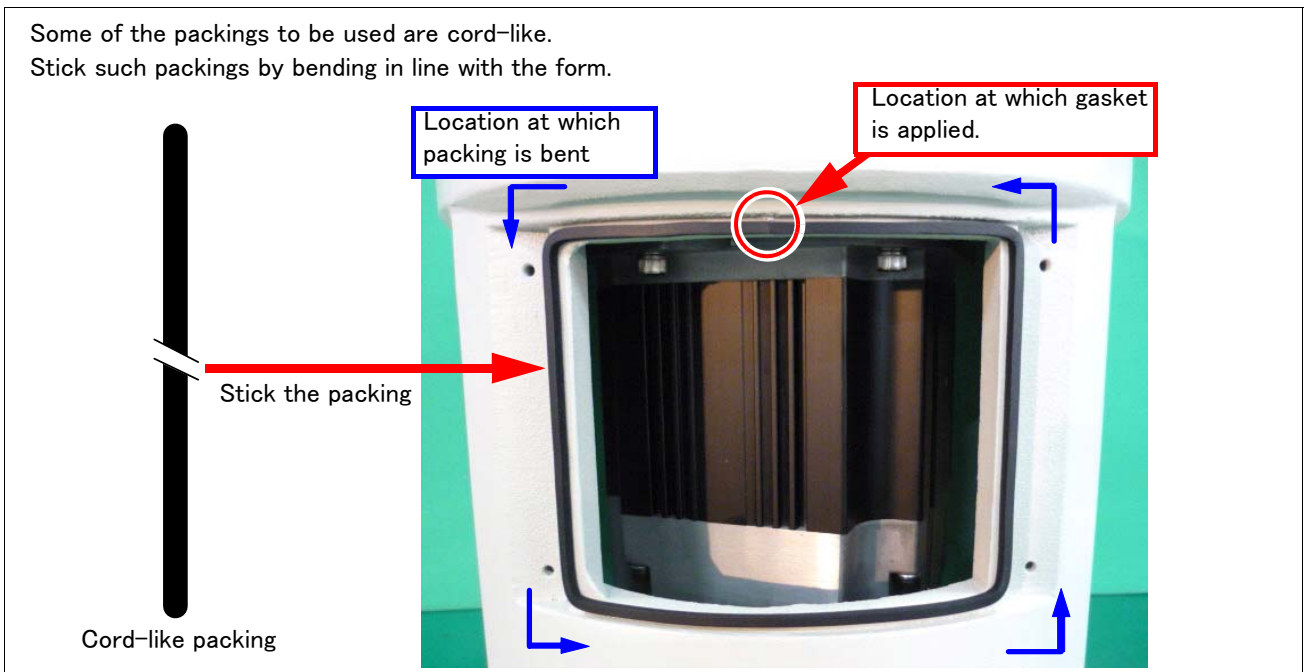
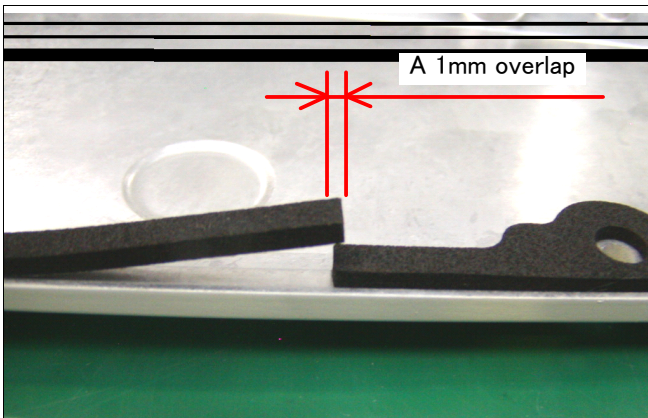
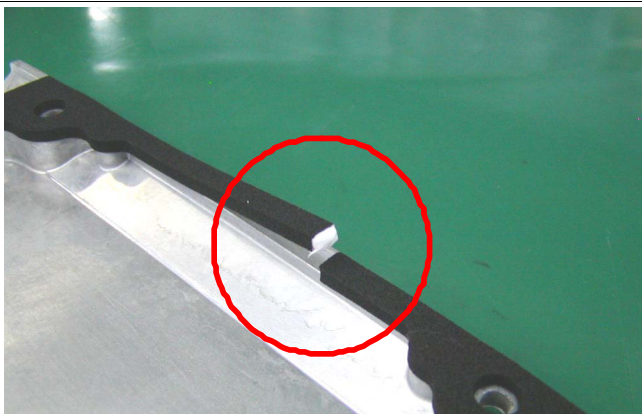


Fig.5-5 : Sticking the cord-like packing

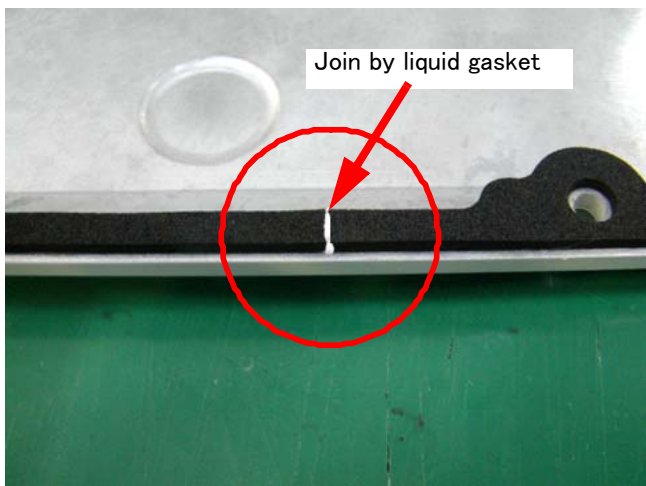


A 1mm overlap



[1] Cut the packing so that there is a 1mm overlap at the end.

[2] Apply liquid gasket to the cut edges.



Join by liquid gasket

[3] Stick the packing so that there is no gap between the adjacent pieces.

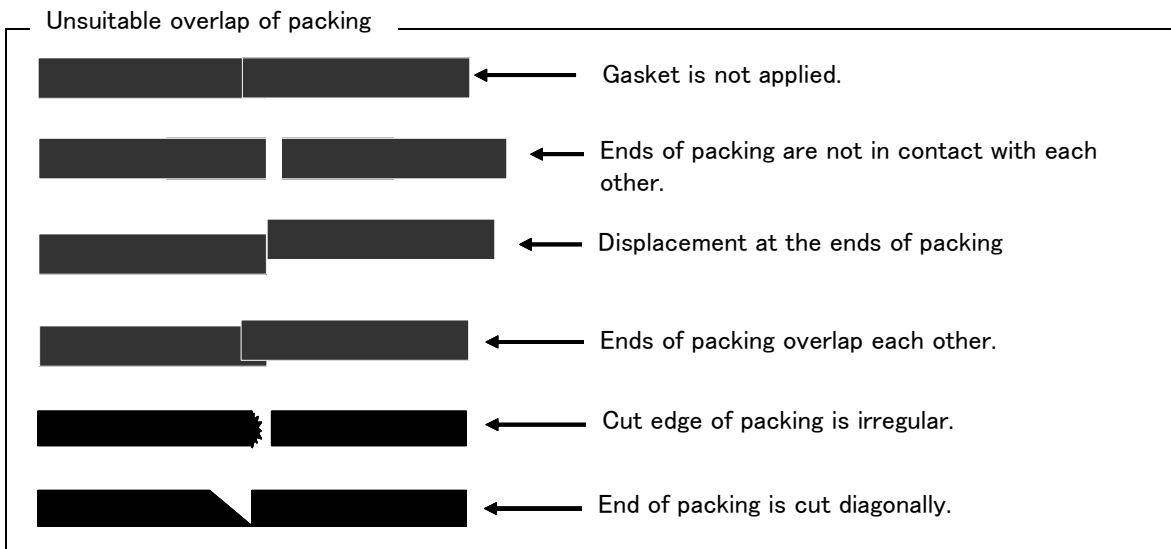


Fig.5-6 : Examples of packing overlaps

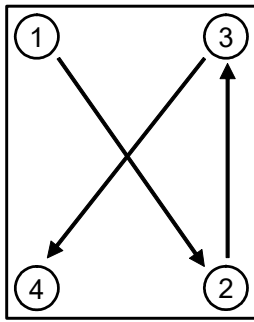


Fig.5-7 : Example of order which tighten bolts

5.3.4 Inspection replacement of timing belt

This robot uses a timing belt for the drive conveyance system. Compared to gears and chains, the timing belt does not require lubrication and has a low noise. However, if the belt usage method and tension adjustment are inadequate, the life could drop and noise could be generated. Sufficient aging to remove the initial elongation of the belt have been carried out before shipment from the factory.

However, depending on the robot working conditions, elongation will occur gradually over a long time. The tension must be confirmed during the periodic inspection.

Please prepare the sound wave type belt tension gauge in inspection of the timing belt. Refer to the [Page 80, "\(6\) Timing belt tension"](#) for the tension of the timing belt.

The recommendation gauge is shown below.

Manufacture: Gates Unitta Asia Company

Type: U-550



Fig.5-8 : Tension adjustment method of timing belt

CAUTION

When the timing belt has to be removed for repair or some other reason, measure the tension before removing the belt.

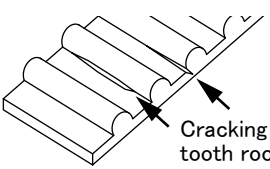
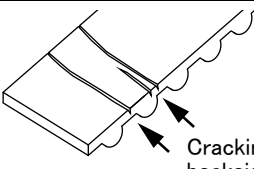
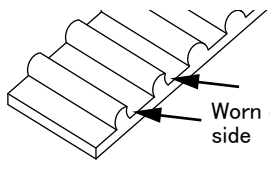
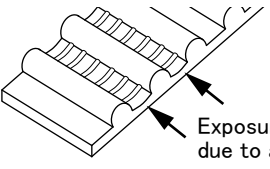
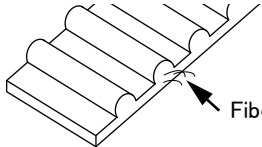
When the belt is reinstalled, the tension must be the same as the one measured before removal. Otherwise, the life of the belt and the relevant parts may be shortened.

(1) Timing belt replacement period

The timing belt life is greatly affected by the robot working conditions, so a set time cannot be given. However, if the following symptoms occur, replace the belt.

- 1) The belt tension value becomes less than the guideline value.
- 2) A position mismatch or gear teeth skipping occurs.
- 3) The belt is damaged as shown in [Table 5-5](#).

Table 5-5 : Typical damage conditions of the timing belt

| Damage condition | Appearance | Cause |
|--|--|---|
| Gear tooth crack |  Cracking at the tooth root | Overload |
| Backside crack |  Cracking on the backside of the belt | Deterioration of rubber due heat to or ozone |
| Worn teeth |  Worn out on one side | Overload Excessive or insufficient tension |
| Tooth bottom abrasion and exposure of cores |  Exposure of cores due to abrasion | Excessive tension |
| The following is not a belt damage. | | |
| Fibers coming out of the side face of the belt |  Fibers | Manufacturing related factor. This is not a belt damage. |

CAUTION Due to the manufacturing of the timing belt, initial wear will occur. Wear chips may accumulate in the cover after approx. 300 hr of operating the robot, but this is not a fault.

CAUTION When the belt is replaced, the machine system origin may deviate. After the replacement, ensure to reset the origin.

(2) Timing belt tension measurement

Rotate the timing pulley A to one direction while visually checking its position, and measure the belt tension at every 90 degrees, four times in total. The average of the four measurements is used as the timing belt tension value.

The timing belt must be pulled tight before the tension is measured. For this purpose, rotate the timing pulley A 90 degrees before measurement. Measure the tension of the belt to be pulled by the movement of the timing pulley A. When the temperature of the robot arm is high, the timing belt tension is increased. To ensure reliability of the measurement, take measurements at least 30 minutes after the robot stops its movement.

Low ambient temperature may make accurate measurements using a tension gauge impossible. In this case, perform the automatic operation or jog operation at measuring target axis for a few minutes, then measure the tension of the belt.

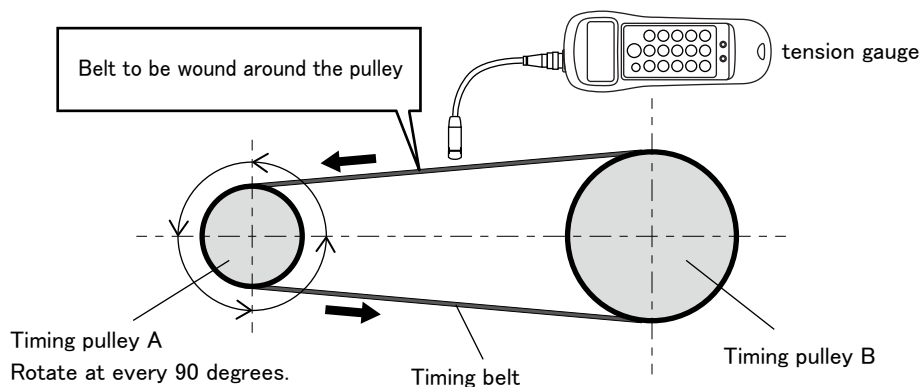


Fig.5-9 : Timing belt tension measurement

The procedure is shown below.

- 1) Turn on the controller's power supply.
- 2) Rotate the timing pulley A to one direction in jog operation while visually checking its position, and measure the belt tension at every 90 degrees, four times in total (for one turn of the timing pulley A).
The amount of movement of each axis when the timing pulley A is rotated 90 degrees are shown in [Page 81, "\(7\) Amount of movement of each axis during the timing belt tension measurement"](#).
- 3) Take an average of the four measurements to determine the timing belt tension value.
During inspection of the timing belt, check that the belt tension exceeds the replacement guideline value in [Page 80, "\(6\) Timing belt tension"](#). When the belt tension value becomes less than the guideline value, the belt must be replaced immediately.

(3) Inspecting the J3 axis timing belt

The section related to J3 axis timing belt is shown in Fig. 5-10. The picture is the image which removed the No.2 arm cover.

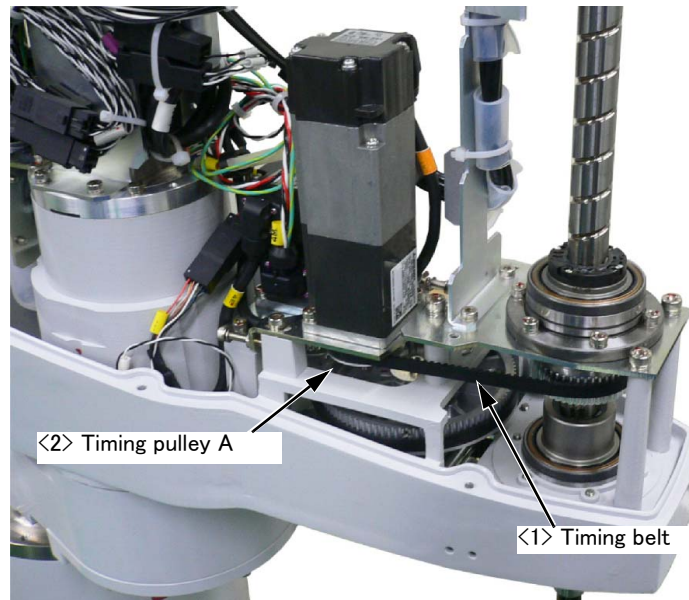


Fig.5-10 : Inspecting the J3 axis timing belt

Inspection procedure of the timing belt of J3 axis are shown below.

- 1) Refer to Page 67, "5.3.2 Installing/removing the cover", and remove the No.2 arm cover U.
- 2) Visually confirm that the symptoms indicated in Page 73, "(1) Timing belt replacement period" have not occurred with the <1> timing belt.
- 3) Refer to Page 74, "(2) Timing belt tension measurement", and confirm the belt tension.
- 4) Install the No.2 arm cover U securely as before and finish inspection.

(4) Replacing the J3 axis timing belt

CAUTION

It is possible for the customer to replace the timing belt, but precise adjustment is needed to prevent malfunction of the relevant parts. To ask for replacement of the timing belt, contact the dealer.

The procedure for replacing the J3 axis timing belt is shown below. The diagram shows an image of the removed No. 2 arm cover U.

After replacing the J3 axis timing belt the resetting the origin of J3 and J4 axis is necessary.

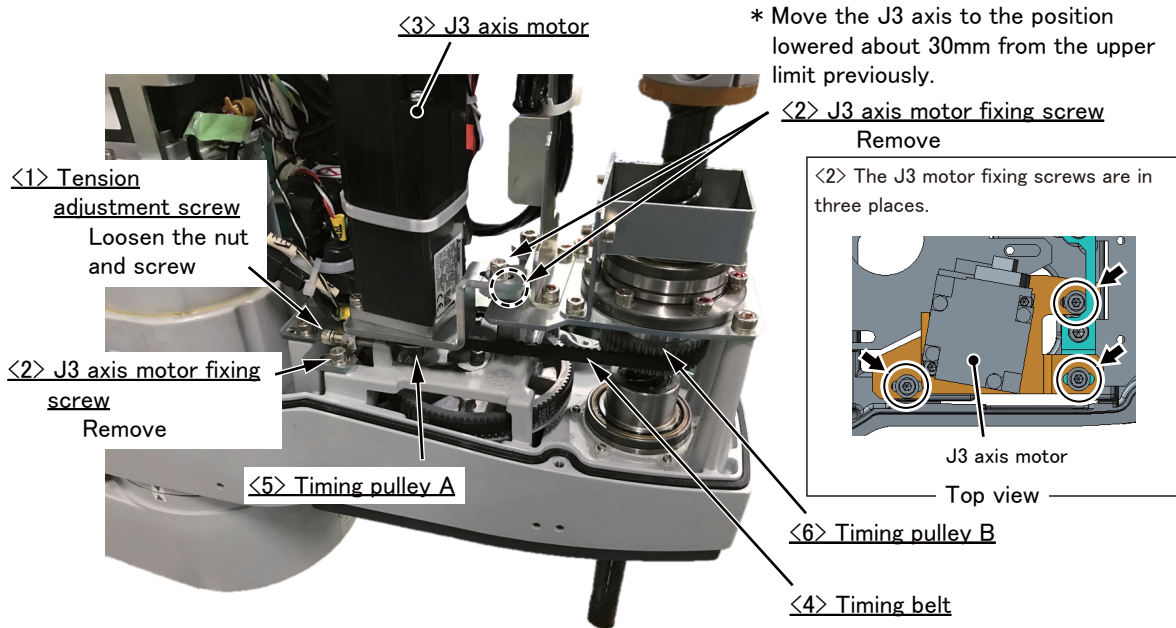
1) Move the J3 axis to the position lowered about 30mm from the upper limit by jog operation. This position makes the space for removing the belt.

After moving the J3 axis turn the controller's power supply OFF.

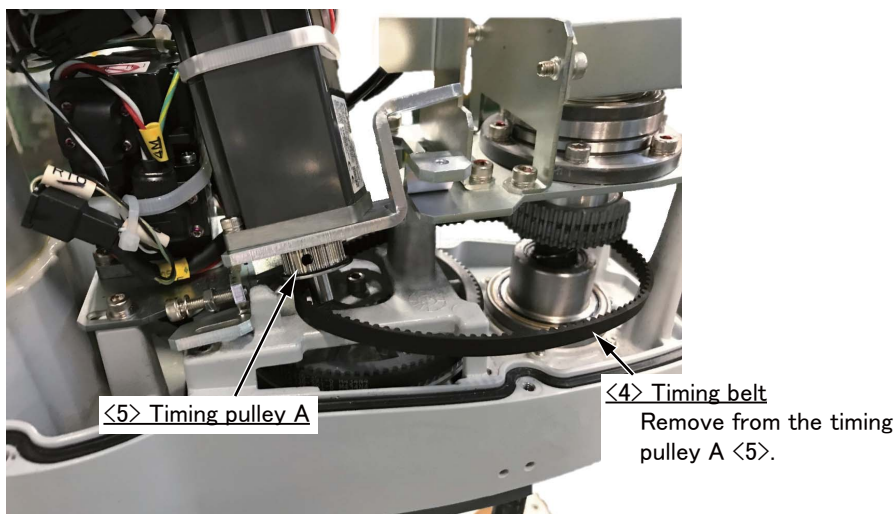
2) Refer to Page 67, "5.3.2 Installing/removing the cover", and remove the No.2 arm cover U.

3) Loosen the nut of tension adjustment screw <1>, and loosen the tension adjustment screw <1>.

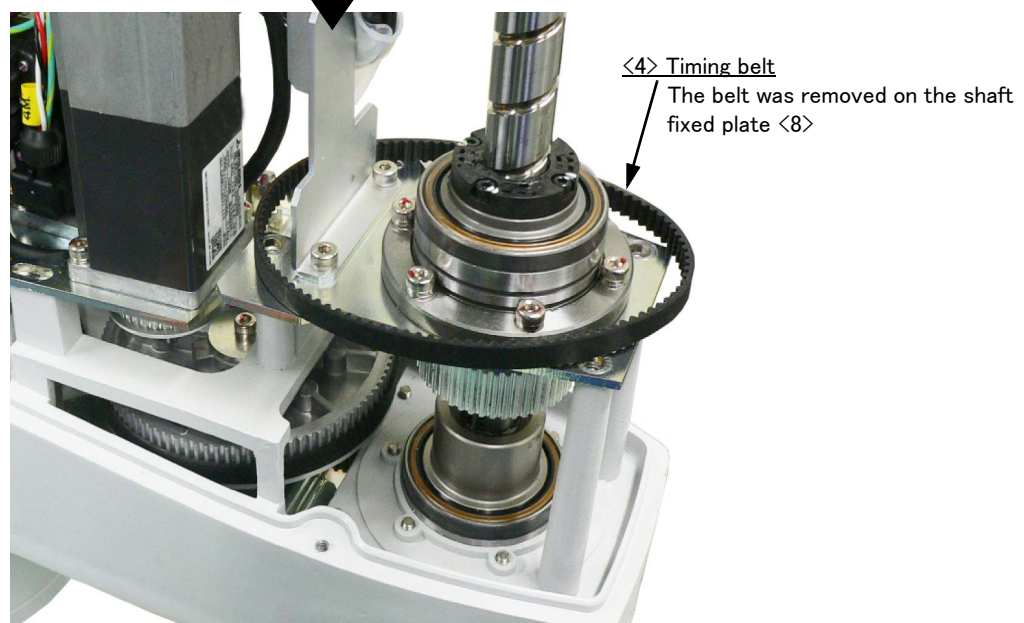
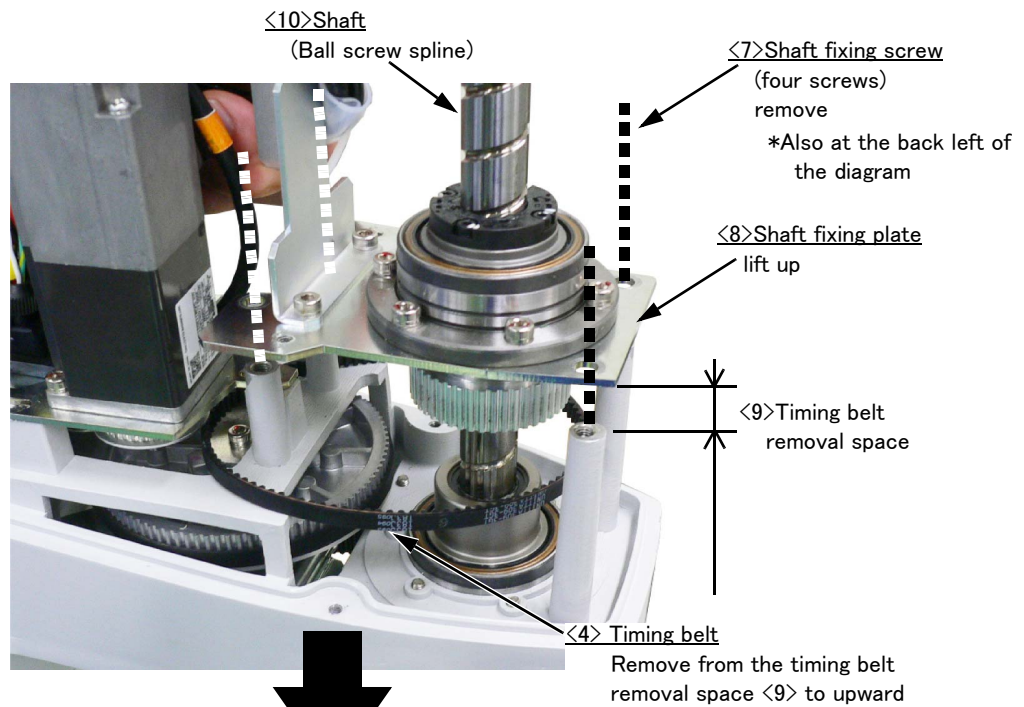
4) Remove three fixing screws <2>, remove the J3 axis motor <3>.



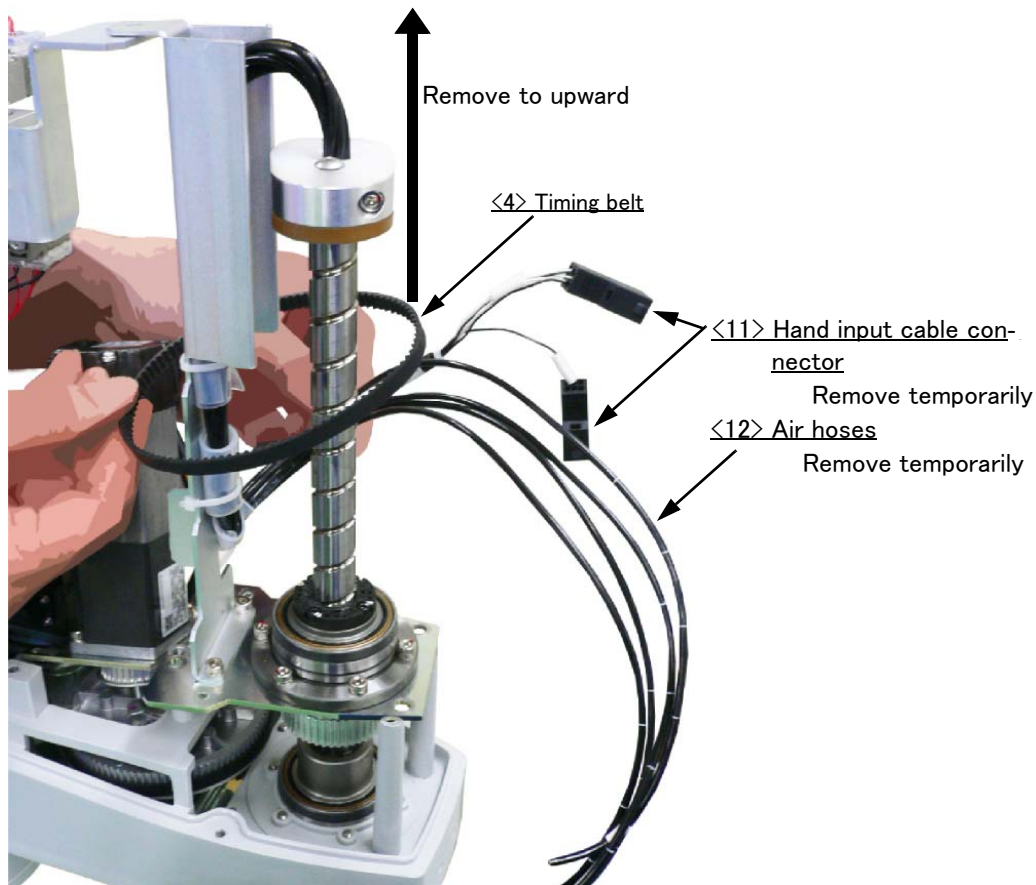
5) Remove the timing belt <4> from the timing pulley A <5>.



- 6) Remove the timing belt <4> from the shaft to upward.
 Remove the fixing screw <7> of shaft fixing plates and lift up the shaft fixing plate <8>. When using the optional hand internal wiring and piping set remove the fixing screws fixed to the top. Remove the timing belt <4> from the timing belt removal space <9> created under the shaft fixing plate <8> by lift up.



- 7) Remove the timing belt <4> from the top of the shaft
 If using the optional hand internal wiring and piping set, temporarily remove the hand input cable connector <11> and air hoses <12> of solenoid valve side. And remove the timing belt to upward.



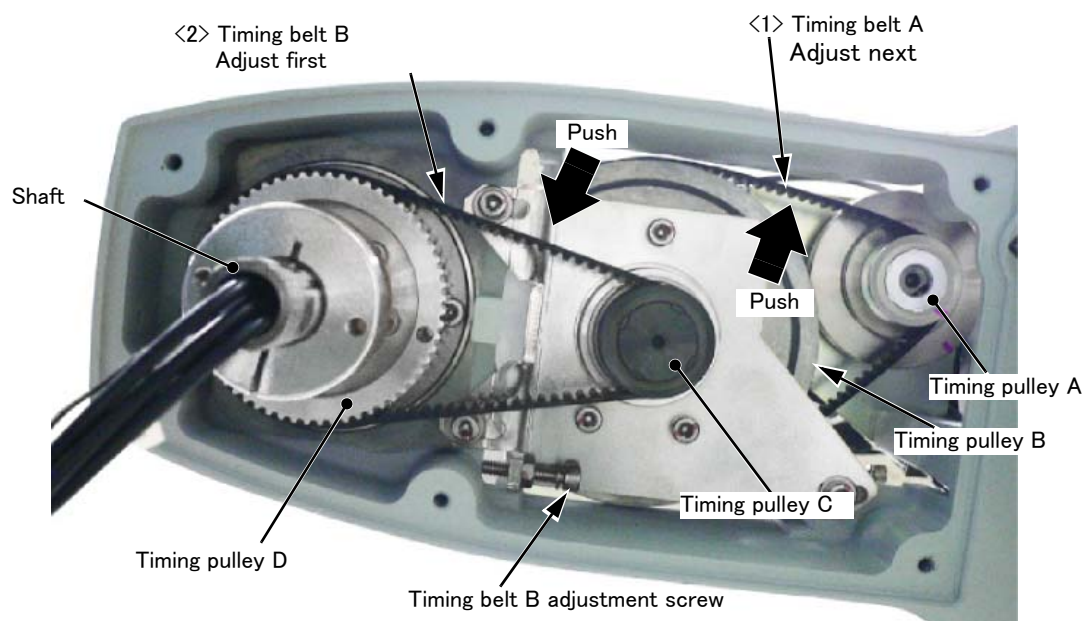
- 8) Install the new timing belt in reverse procedure of removal.
 Install the new belt to the timing pulley (on the motor) <5> and timing pulley B <6> securely.
 Fix the shaft fixing plate <8> by fastening the original fixing screws securely.
 If using the hand input cables <11> and air hoses <12>, connect them as before.
- 9) Install the J3 axis motor <3> by tightening lightly the J3 axis motor fixing screw <2> (three screws).
- 10) The nut which is fixing tension adjustment screw <1> is loosened, turn tension adjustment screw <1>, and adjust the tension of timing belt <4>.
 When the screw is turned to the right, the belt will be stretched, and when turned to the left, will loosen.
 Adjust the belt tension slack to within the range as shown in [Page 80, "\(6\) Timing belt tension"](#).
 Before the tension measurement, rotate the timing pulley at least three times in each direction so that the timing belt fits in the pulley. Check the tension measurement method in [Page 74, "\(2\) Timing belt tension measurement"](#).
 If the belt is loosened too much when adjusting the tension causing it to come off the timing pulley A <5> and the timing pulley B <6>, or if the belt and pulley teeth engagement is deviated, the machine system's origin will deviate.
- 11) Fasten the three J3 axis motor fixing screws <2> certainly (M4 screw: tightening torque is 4.51 Nm). Moreover, also fasten the nut of tension adjustment screw <1> certainly. Improper tightening can cause the belt to loosen with vibration.
- 12) Install the No.2 arm cover U securely as before.
- 13) Reset the origin of J3 and J4 axis with referring to the [Page 89, "5.6 Resetting the origin"](#)
- 14) When the maintenance forecast function is valid, reset the accumulation data about the belt. Reset by the dedicated screen or parameter MFBRST of RT ToolBox3. Refer to "RT ToolBox3/RT ToolBox3 mini User's Manual" for operation of RT3 and refer to "Instruction Manual/Detailed Explanation of Functions and Operations" for the parameter.

Replacement of the J3 axis timing belt is completed.

(5) Inspecting the J4 axis timing belt

As shown in Fig. 5-11, the J4 axis timing belt consists of two timing belts: timing belt A <1> and timing belt B <2>. When adjusting the timing belts, first adjust timing belt B <2> and then proceed to adjust timing belt A <1>.

<The No.2 arm bottom view (Inside of the No.2 arm cover D)>



<The No.2 arm upper view (Inside of the No.2 arm cover U)>

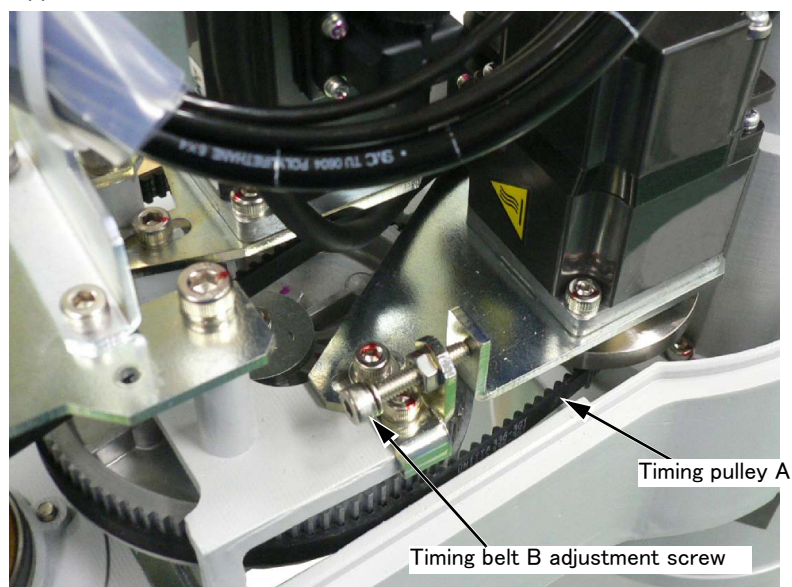


Fig.5-11 : Inspecting the J4 axis timing belt(RH-/6FRH/12FRH/20FRH)

Inspection procedure of the timing belt of J4 axis are shown below.

- 1) Refer to [Page 67 "Fig. 5.3.2: Installing/removing the cover"](#), and remove the No.2 arm cover U and No.2 cover D.
- 2) Visually confirm that the symptoms indicated in [Page 73, "\(1\) Timing belt replacement period"](#) have not occurred with the timing belt.
- 3) Refer to [Page 74, "\(2\) Timing belt tension measurement"](#), and confirm the belt tension.
For replacement of the timing belt, check the serial numbers of the robot arm and the controller and contact the dealer.
- 4) Install the No.2 arm cover U and No.2 arm cover D securely as before and finish inspection.

(6) Timing belt tension

The following table shows the preset values of the sonic belt tension gauge, the tension value for new belt installation, and the tension value as the replacement guideline.

Table 5-6 : Belt tension

| Axis | Belt type | Preset value | | | Tension for new belt installation (N) | Replacement guideline tension (N) |
|-----------------|--------------|--------------|---------|-------|---------------------------------------|-----------------------------------|
| | | M(g/m) | W(mm/R) | S(mm) | | |
| J3 | 309-EV3GT-6 | 2.5 | 6 | 102 | 39 to 48 | 15 |
| J4 (motor side) | 336-EV3GT-6 | 2.5 | 6 | 64 | 39 to 48 | 15 |
| J4 (shaft side) | 282-EV3GT-12 | 2.5 | 12 | 74 | 80 to 97 | 30 |

(7) Amount of movement of each axis during the timing belt tension measurement

The amount of movement of each axis when the timing pulley A is rotated 90 degrees are shown in [Table 5-7](#).

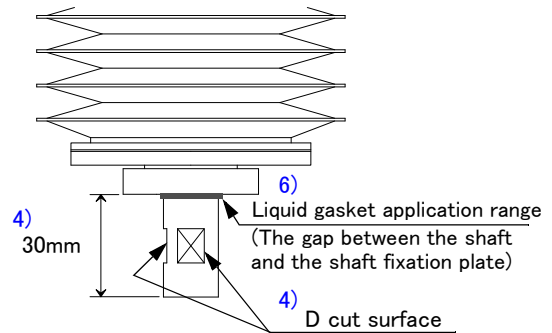
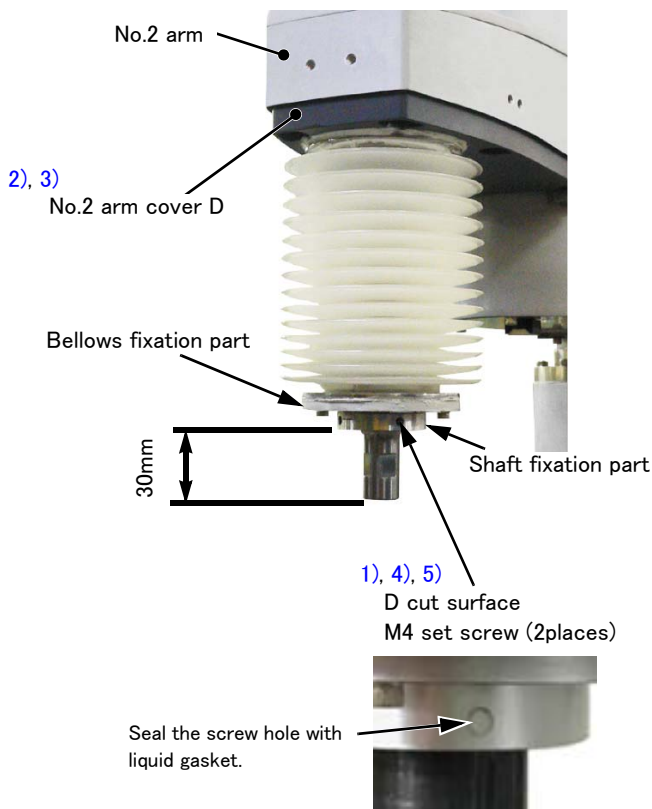
Table 5-7 : Amount of movement of each axis during the tension measurement

| Model | Amount of movement | | | | |
|----------|--------------------|---------|---------|----------------------------|----------------------------|
| | J1 axis | J2 axis | J3 axis | J4 axis (Timing belt A) | J4 axis (Timing belt B) |
| RH-1FRHR | - | - | 2.9mm | 8.4° | 36.0° |

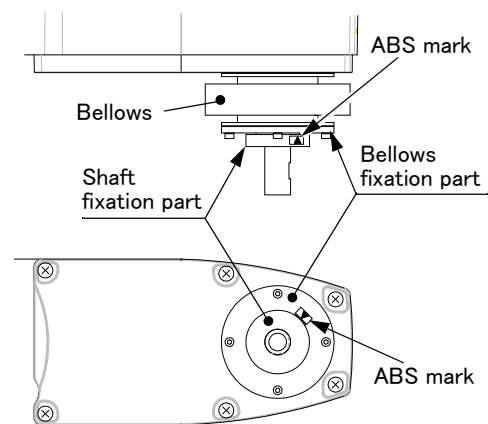
5.3.5 Replacing the bellows (Option)

Refer to Fig. 5-12, exchanges the bellows (option). Replacement method of bellows is shown below.

- 1) Loosen the two set screws (M4) and remove the shaft fixation part from the shaft. Remove the liquid gasket from the rim of the screw holes before removing the screws.
Then completely remove a liquid gasket filling the gap between the shaft fixation part and the shaft.
- 2) Refer to Page 67, "Fig.5-2 : Installing/removing the cover", and remove the No.2 arm cover D and the bellows together.
- 3) Fix the new bellows to the No.2 arm cover D with six truss screws (M4).
- 4) Fix the bellows to the shaft with adjusting the position of the bottom of the shaft fixation part to 30mm from end of shaft. Align two set screws (M4) to the D cut surface and fix them securely. (Tightening torque: 1.39 to 1.89 Nm)
- 5) Apply liquid gasket to the screw holes of the screws inserted in step 4).
Apply enough liquid gasket to seal the screw holes. Ensure that liquid gasket does not penetrate more than 3 mm into the screw hole.
Recommended liquid gasket: 1212 (manufactured by ThreeBond Co., Ltd.)
- 6) Fill the gap between the shaft fixation part and the shaft with a liquid gasket to prevent dust emergence.
- 7) Stick the attached ABS mark stickers on the bottom surface of the bellows fixation part and the side face of the shaft fixation part. Makes the J4 axis into the position of 0 degree by jog operation etc., and stick the ABS mark stickers.



Details of D cut surface and liquid gasket application range



Details of the portions of sticking the ABS mark stickers

Fig.5-12 : Replace the bellows (option)

5.3.6 Lubrication

(1) Lubrication position and specifications

■ Lubrication position and specifications

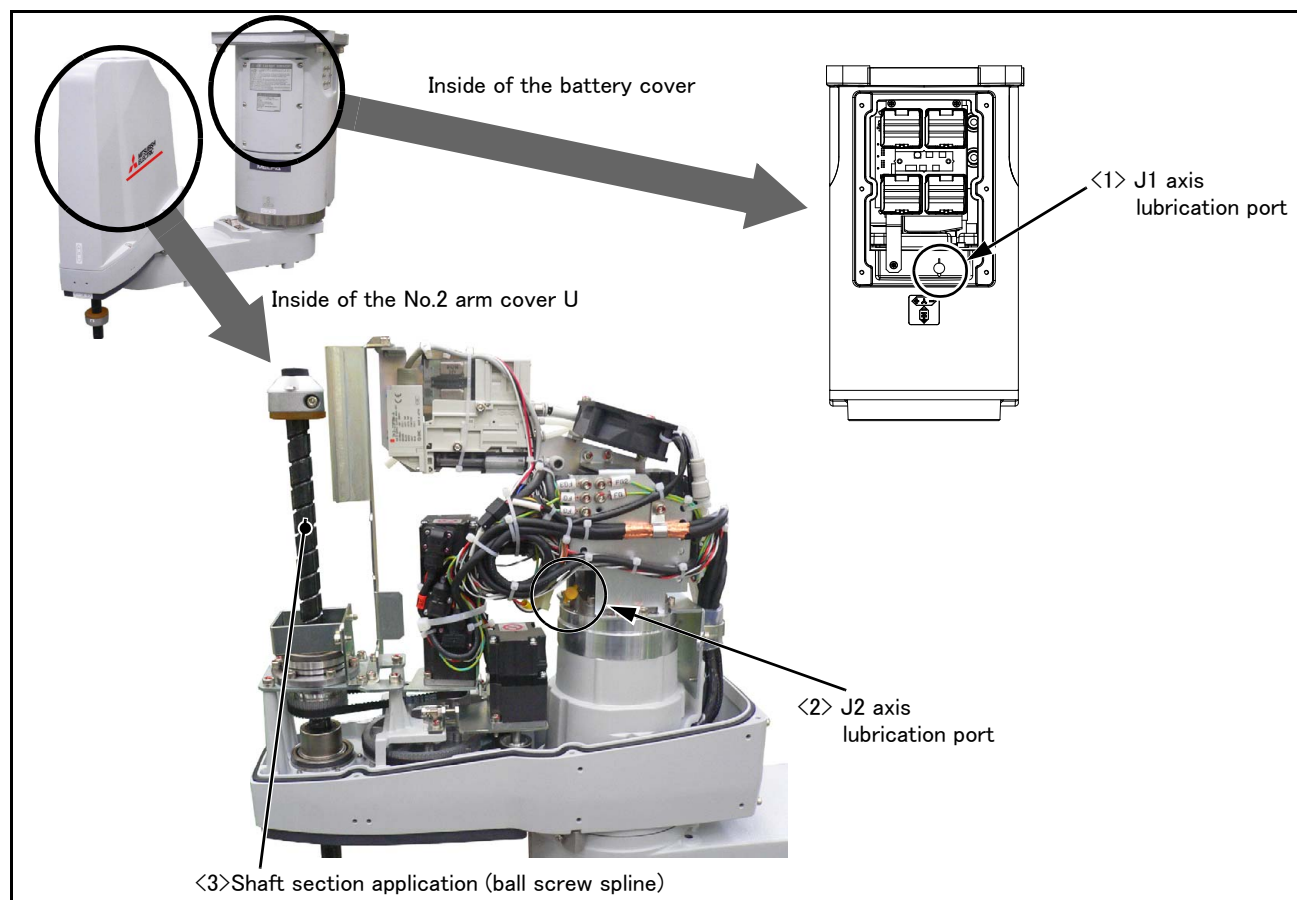


Fig.5-13 : Lubrication positions

Table 5-8 : Lubrication specifications

| No. | Parts to be lubricated ^{Note1)} | Oiling method | Lubrication oil (maker) | Lubrication interval | Lubrication amount | Cover to remove |
|-----|--|---|---|------------------------------|--------------------|------------------|
| <1> | J1 axis reduction gears | Grease nipple WA-610 (Only addition) | 4B No.2 (Harmonic Drive Systems Inc.) | 21,000 Hr | 12g | Battery cover |
| <2> | J2 axis reduction gears | Grease nipple WB-610 (Only addition) | | 21,000 Hr | 8g | No.2 arm cover U |
| <3> | Shaft (ball screw spline) | Wipe the old grease, and applies | NOK Klubersynth UH1 14-222 (NOK CORPORATION) | Every 2,000km movement | 1g | |

Note1) When the screw is installed in the illustrated lubrication point, install the attached grease nipple and supply the grease.

[Caution]

- The brand name of the grease shown in the [Table 5-8](#) is the grease put in at shipping.
- The lubrication interval is a cumulative value of the operation at the maximum speed. If the operation has been suspended, or if the designated speed is slow, the lubrication time can be lengthened in proportion.
- Depending on the robot operation state, the lubrication interval will fluctuate, so determine the time according to the state so that the grease does not run out.
- The maintenance forecast function of RT ToolBox3 (option) estimates the lubrication interval depending on the operating conditions.
- The numbers in the [Table 5-8](#) correspond to the supply positions in [Fig. 5-13](#).
- When the specified time limit (24,000 Hr) is due, the overhaul work to replace internal grease is required. For the J1/J2 axis reduction gears, if the overhaul cannot be conducted at the specified timing, lubricate them at the

lubrication interval in [Table 5-8](#).

For the overhaul, contact the dealer.

■ Lubrication method to the J1, J2 axis

- 1) Turn off the controller's power supply.
- 2) Refer to the "[Fig.5-2 : Installing/removing the cover](#)" and remove the covers.
- 3) Insert the grease shown in [Table 5-8](#) using a grease gun from the lubrication grease nipple. Add only the specified amount of grease. Adding excess grease may cause grease to leak.

 **CAUTION**

Use manual grease gun, and inject grease with pressure 0.03Mpa or less. Do not use the grease gun, which derived by the factory air presser to avoid injecting by too high pressure.

A grease gun that fits the grease nipple is required.

Recommended grease gun: CH-400 (manufacture: Yamada Corporation Inc.,)

The CH-400 gun is a cartridge-type grease gun. Contact your dealer and use commercially available grease cartridges.

When a grease can is used, hand grease gun KH-32 (manufacture: Yamada Corporation) is recommended. The KH-32 comes with a short nozzle (HSP-1) as standard. If this short nozzle does not reach the desired areas, depending on the robot model and installation location, it may be useful to use a long nozzle (HSP-2). CH-400 has a long nozzle as standard equipment.

- 4) Install the removed cover as before.

Note) Sealant is applied to the installation surface of the cover. Be sure to replace the sealant if it has been dislocated and bent or crushed and does not return to its original shape. If the sealant is required to be replaced, contact the dealer.

- 5) If the maintenance forecast function is enable, please reset the accumulated data about grease. Carries out the resetting operation by RT ToolBox3 (option) or parameter MFGRST. Refer to separate "RT ToolBox3/RT ToolBox3 mini User's Manual" for the operation method of RT ToolBox3, and refer to separate "Instruction Manual/Detailed Explanation of Functions and Operations" for details of parameter MFGRST.

The lubricating to J1 and J2 axes is completed.

■ Lubrication method to the shaft

- 1) Refer to [Page 67 "Fig. 5-2: Installing/removing the cover"](#), remove the No. 2 arm cover-U.
- 2) Wipe the old grease off the shaft. Wipe off the grease inside the No. 2 arm cover-U and the bracket attached vertically to the shaft fixing area.
- 3) Apply the specified amount of grease to the shaft. If too much grease is applied, grease can spread inside the No. 2 arm, and if it reaches to the timing belt, can cause the timing belt to deteriorate quicker than usual.
- 4) Install the No.2 arm cover U as before.

Applying grease to shaft is completed.

5.3.7 Replacing the backup battery

An absolute encoder is used for the position detector, so while power of controller is turned off the position must be saved by the backup battery. These batteries are installed when the robot is shipped from the factory, but as these are consumable parts, they must be replaced periodically by the customer.

The guideline for replacing the battery is one year, but this will differ according to the robot's usage state. There exists the kinds of the errors about the battery shown in [Table 5-9](#). If error occurs, please exchange the battery of the robot arm.

Table 5-9 : The error about the battery

| Error number | Description | Measure |
|------------------------|--------------------------------|--|
| 7510 | Encoder battery voltage low | Replace the battery as soon as possible. |
| 7500 | No encoder battery voltage | |
| 112n ^{Note1)} | Encoder ABS position data lost | The backup data cannot be guaranteed if this error occurs. |

Note1) "n" indicates the axis number

The method of replacing the battery of robot arm is shown below.

About the purchase of the battery, refers to [Page 88](#), "5.5 Maintenance parts".

CAUTION

If error 7500 or 112n (n indicates the axis number) occurs, the program data and other data in the controller is lost and it becomes necessary to load the data such as program and origin data again.

(1) Replacing the battery of the robot arm

⚠ CAUTION

The battery circuit board connection cable is used to supply power from the backup battery to the encoder. The cable must be connected while replacing the battery or operating usually. Thus, if the cable connection is incomplete, the encoder position data will be lost, and resetting the origin is necessary.

⚠ CAUTION

Before replacing the backup battery, check that the capacitor is fully charged. If the robot has been used for over 36,000 hours, the battery life is gradually shortened due to deterioration of the capacitor.

⚠ CAUTION

Replace the battery one by one. If all batteries are removed the encoder data will be lost, and resetting the origin is necessary.

The battery installation position is shown below. Refers to the figure and replaces the batteries in the following procedures.

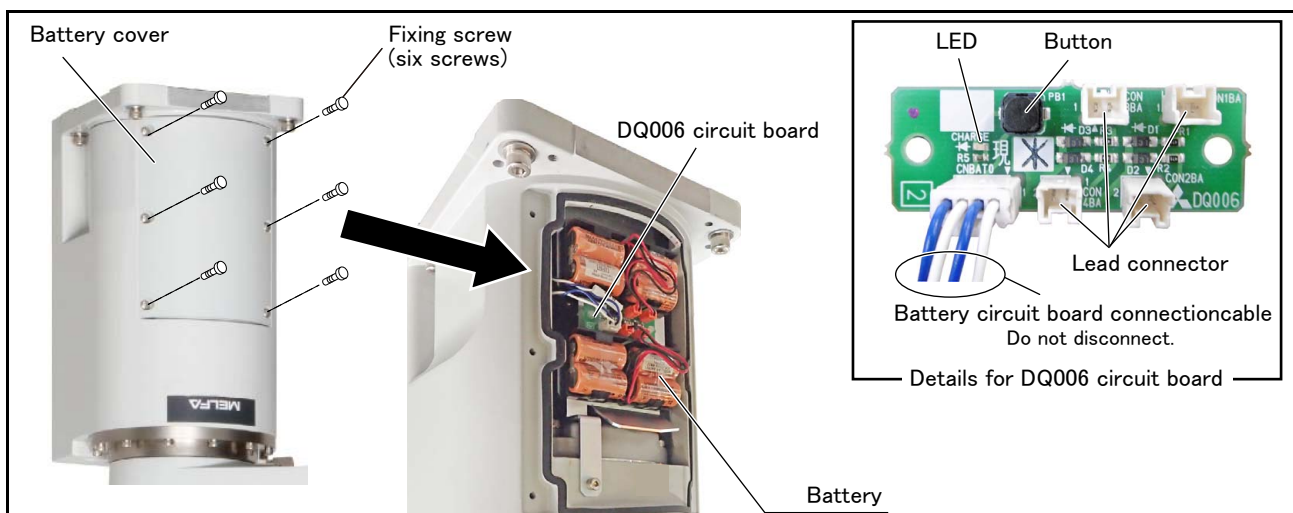


Fig.5-14 : Replacing the battery

- 1) Turn the controller control power OFF.
- 2) Remove the battery cover, referring to [Page 67, "5.3.2 Installing/removing the cover"](#).
- 3) Check that the capacitor is fully charged. Press the button on the DQ006 circuit board and check that the LED on the same circuit board turns on.
Replace the battery within 15 minutes after checking that the LED turns on.
If the LED does not turn on when the button is pressed, the capacitor needs to be charged. Turn on the controller and charge the capacitor for approximately 30 minutes.
- 4) Replaces the backup battery one by one. The battery holder is located inside the //battery cover. Remove the old battery from the holder, and disconnect the lead connector.
- 5) Insert the new battery into the holder, and connect the lead connector. Replace all batteries with new ones at the same time.
- 6) All the batteries should be checked that it has been exchanged newly. If the old battery is contained, generating heat and damaging may occur.
- 7) Install the battery cover as before. Be careful so that the cable may not be inserted.

[Caution] If the old battery is replaced because it has been used up, it is necessary to set the origin again. Refer to [Page 89, "5.6 Resetting the origin"](#) and reset the origin using the ABS origin method. The CR800-D controller requires time setup. Refer to the separate "Instruction Manual/Detailed Explanation of Functions and Operations" for details on the operation methods.

[Caution] When inserting and removing a lead connector of the backup battery, pay sufficient attention to the following points to prevent excessive force from being applied to the connector: Do not twist the connector during removal, and do not forcibly insert the connector when not mated properly.

5.4 About Overhaul

Robots which have been in operation for an extended period of time can suffer from wear and other forms of deterioration. In regard to such robots, we define overhaul as an operation to replace parts running out of specified service life or other parts which have been damaged, so that the robots may be put back in shape for continued use. As a rule of thumb, it is recommended that overhaul be carried out before the total amount of servo-on time reaches the specified time (24,000 hours for the robot arm and 36,000 hours for the controller). (See Fig. 5-15.) However, the degree of the equipment's wear and deterioration presumably varies depending on their operating conditions. Especially for operation with high load and frequency, the maintenance cycle may be shorter. For details on the part selection for replacement and the timing of overhaul, contact your dealer.

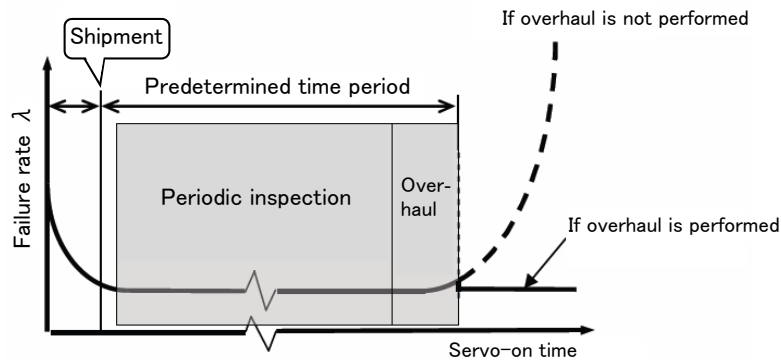


Fig.5-15 : Periodic inspection/overhaul periods

5.5 Maintenance parts

The consumable parts that must be replaced periodically are shown in [Table 5-10](#), and spare parts that may be required during repairs are shown in [Table 5-11](#). Purchase these parts from the dealer when required.

[Note] Some Mitsubishi-designated parts differ from the maker's standard parts. Thus, confirm the part name, robot arm and controller serial No. and purchase the parts from the dealer.

Table 5-10 : Consumable part list

| No. | Part name | Usage place | Q'ty | Description | Supplier |
|-----|-----------------------------|------------------------------|----------------|---|---------------------|
| 1 | Grease | Reduction gears of each axis | A small amount | "5.3.6 Lubrication" | Mitsubishi Electric |
| | | Shaft | A small amount | | |
| 2 | Lithium battery (MR-BAT6V1) | Inside the battery cover | 4 | "5.3.7 Replacing the backup battery" | |
| 3 | Liquefied gasket | Packing ^{Note1)} | A small amount | "5.3.3 Packing Replacement Procedure" | |
| 4 | Timing belt | J3 axis | 1 | "5.3.4 Inspection replacement of timing belt" | |
| 5 | | J4 axis motor side | 1 | | |
| 6 | | J4 axis shaft side | 1 | | |
| 7 | Bellows set (option) | J4 axis shaft | 1 | "5.3.5 Replacing the bellows (Option)" | |

Note1)The liquefied gasket is necessary for the place which uses two or more packings to connect.

Table 5-11 : Spare parts list

| No. | Names | Usage place | Q'ty | Supplier |
|-----|-------------------|-------------|----------------|---------------------|
| 1 | AC servo motor | J1 axis | 1 | Mitsubishi Electric |
| 2 | | J2 axis | 1 | |
| 3 | | J3 axis | 1 | |
| 4 | | J4 axis | 1 | |
| 5 | Reduction gears | J1 axis | 1 | |
| 6 | | J2 axis | 1 | |
| 7 | Ball screw spline | J3 axis | 1 | |
| 8 | Liquid gasket | Bellows | A small amount | |

5.6 Resetting the origin

The origin is set so that the robot can be used with a high accuracy. The origin is set so that the robot can be used with a high accuracy. Setting is required if the motor is replaced or an encoder error occurs.

The origin setting methods and when each origin setting method is required are shown in [Table 5-12](#).

Table 5-12 : Origin setting method

| No | Method | Explanation | Cases when setting the origin is required | Remarks |
|----|--------------------------|---|---|--|
| 1 | Origin data input method | The origin data set as the default is input from the T/B. | <ul style="list-style-type: none"> When the data is lost due to flat battery of the robot controller (when C7500 occurs) | The setting method is explained in Page 90, "5.6.1 Setting the origin with the origin data input method" . If origin data has been changed from the factory default, input the latest origin data. |
| 2 | Jig method | The origin posture is set with the calibration jig installed. | <ul style="list-style-type: none"> When a structural part of the robot (motor, reduction gear, timing belt, etc.) is replaced When deviation occurred by a collision. | The setting method is explained in Page 94, "5.6.2 Jig method" . |
| 3 | ABS origin method | This method is used when the encoder backup data lost in the cause such as battery cutting. | <ul style="list-style-type: none"> When the encoder data is lost due to flat battery of the robot arm (when H112n occurs) | Before using this method, the origin must be set with the other method with same encoder. The setting method is explained in Page 102, "5.6.3 ABS origin method" . |
| 4 | User origin method | A randomly designated position is set as the origin posture. | <ul style="list-style-type: none"> When an arbitrary position is set as the origin | Before using this method, the origin must be set with the other method. The setting method is explained in Page 104, "5.6.4 User origin method" . |

[Caution]

- The origin is set using the jig method (No.2) at factory default.
- The origin data is inherent to the serial number of each robot arm.
- The ABS origin method is used to restore the previous data by aligning the triangular marks to each other for each axis to set the lost origin data.
(Although the setting position is confirmed visually, deviations within a half rotation of the motor can be compensated.)

[Remarks]

- The ABS origin method cannot be used when the robot arm mechanically deviates (for example caused by replacement of the reduction gear, motor, or timing belt).
- After the origin setting is completed, move the robot arm to the position where the ABS marks align each other, and check that the displayed joint coordinates of the position are correct.
For the details of the ABS mark position and the joint coordinates, refer to [Page 102, "5.6.3 ABS origin method"](#).

5.6.1 Setting the origin with the origin data input method

(1) Confirming the origin data

The origin data to be input is noted in the origin data sheet. (See Fig. 5-16.)

● Origin data history table (Origin Data History) Serial No.ES804008

| Date | Default | . . . | . . . | . . . |
|--------|---------|-----------|-----------|-----------|
| D | V!#S29 | | | |
| J1 | 06DTYY | | | |
| J2 | 2?HL9X | | | |
| J3 | 1CP55V | | | |
| J4 | T6!M\$Y | | | |
| J5 | | | | |
| J6 | | | | |
| Method | J | J · A · U | J · A · U | J · A · U |

(O: O(Alphabet), 0: Zero)

Note) Meanings of symbols in method column
 J: Jig method
 A: ABS origin method
 U: User origin method


Fig.5-16 : Origin data label (an example)

The origin data history table is attached on the back of the following covers.

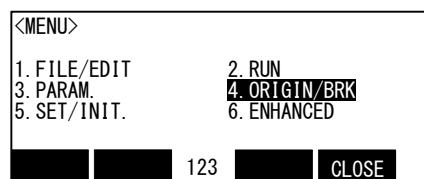
| Model | Cover |
|----------|---------------|
| RH-1FRHR | Battery cover |

Referring to Page 67, "5.3.2 Installing/removing the cover", remove the cover above and confirm the value. The value given in the default setting column is the origin settings set with the jig method before shipment.

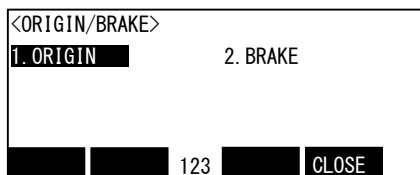
* The origin data to input is found on also the robot examination report sheet.

 **WARNING** Always install/remove the cover with the controller control power turned OFF. Failure to do so could lead to physical damage or personal injury should the robot start moving due to incorrect operations.

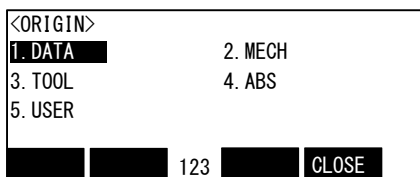
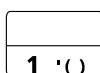
(2) Selecting the origin setting method



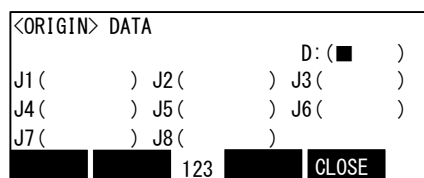
1) Press the [4] key on the menu screen, and display the ORIGIN/BRAKE screen.



2) Press the [1] key on the ORIGIN/BRAKE screen, and display the origin setting method selection screen.



3) Press the [1] key on the origin setting method selection screen, and select the data input method.



4) Display the origin data input screen

◆◆◆ Selecting a menu ◆◆◆

The menu can be selected with one of the following methods.

A: Press the numeral key for the No. of the item to be selected.

B: Using the [↓] and [↑] keys, etc., move the cursor to the item to be selected, and then press the [INP] key.

◆◆◆ The input method of numeral ◆◆◆

The number can be inputted if the key displayed on the lower left of each key is pressed. Press the

[CHARACTER] key, and in the condition that "123" is displayed on the screen lower side, press the number key.

(3) Inputting the origin data

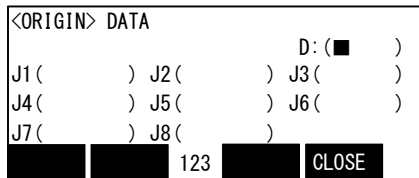


Input the value confirmed in section Page 90, "(1) Confirming the origin data".

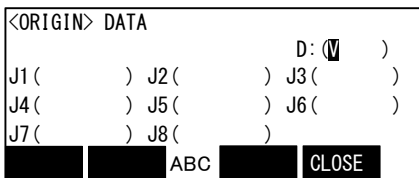
The correspondence of the origin data label value and axis to be input is shown in Fig. 5-17.

Fig.5-17 : Correspondence of origin data label and axis

The method for inputting the origin data is explained below. The value shown in Fig. 5-16 will be input as an example.



1) Confirm that the cursor is at the "D" position on the T/B display screen.



CHARACTER

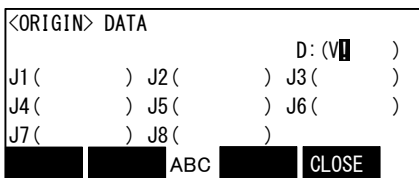
-B (J5)
8 TUV

2) Input the D value "V!%S29".

Inputting "V"

Press the [CHARACTER] key and set to the character input mode. (Condition that "ABC" was displayed under the screen)

Press the [TUV] key three times. "V" will be set.



+C (J6)
. , %

→

+C (J6)
. , %

Inputting "!"

Press the [, %] key five times. "!" will be set.

Press the [→] key once and advance the cursor.

Press the [, %] key twice (input "%"), and press the [PQRS] key four times (input "S").



CHARACTER

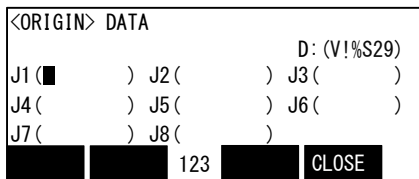
-Z (J3)
2 ABC

+B (J5)
9 WXYZ

Press the [CHARACTER] key and set to the numeral input mode. (Condition that "123" was displayed under the screen)

Press the [2] key (input "2"), and press the [9] key (input "9").

"V!%S29" will appear at the "D" data on the teaching pendant screen.



↓

3) Press the [↓] key, and move the cursor to the J1 input position.

4) Input the J1 value in the same manner as above.

5) Input the J2, J3 and J4 values in the same manner.

| | | |
|---------------|--------------|--------------|
| <ORIGIN> DATA | | |
| D: (V!%S29) | | |
| J1 (06DTYY) | J2 (??HL9X) | J3 (1CP55V) |
| J4 (T6!MSY) | J5 () | J6 () |
| J7 () | J8 () | |
| ABC | CLOSE | |

6) After inputting all of the values, press the [EXE] key. The origin setting confirmation screen will appear.

| | | |
|-----------------------|-----|----|
| <ORIGIN> DATA | | |
| CHANGE TO ORIGIN. OK? | | |
| Yes | 123 | No |

7) Press [F1] (Yes) to end the origin setting

◆◆◆ Moving the cursor ◆◆◆

Press the [↑], [↓], [←] and [→] keys.

◆◆◆ Inputting characters ◆◆◆

Press the [CHARACTER] key and set to the character input mode. (Condition that "ABC" was displayed under the screen). The displayed character is scrolled each time at pressing the key.

◆◆◆ How to input symbols ◆◆◆

The symbol is allocated to ['()], [@=], and [,%] key. Please repress each key until the symbol to wish is displayed.

- a) ['()] key ' () " ^ : ; ¥ ?
- b) [@=] key..... @ = + - * / < >
- c) [,%] key..... , % # \$! & _ .

◆◆◆ Correcting an input ◆◆◆

After returning one character by pressing the [CLEAR] key, input the character again.

(4) Installing the cover

Return the cover removed in section [Page 90, "\(1\) Confirming the origin data"](#) to its original position.



WARNING

Removing and installing the cover by always turning off the controller power.

Failure to do so could lead to the robot moving because of incorrect operations, or to physical damage or personal injury.

◆◆◆ If the origin input data is incorrect ◆◆◆

If the origin input data is incorrect, the alarm No. 1760 (origin setting data illegal) will occur when origin data input. In this case, reconfirm the value input for the origin data.

5.6.2 Jig method

This method is using the origin setting tool. If the origin setting tool is required, please ask nearby dealer. The reference figure of the origin setting tool is shown in Fig. 5-18.

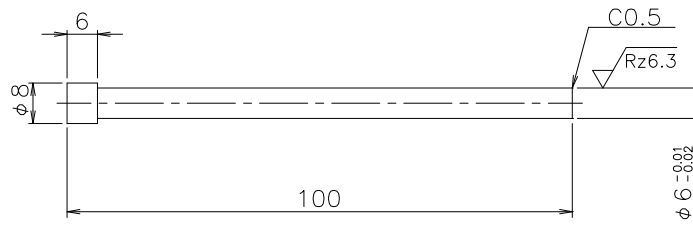


Fig.5-18 : Reference dimension of origin setting tool

The procedure of setting the origin with the origin setting tool is shown below.
 The origin setting can be performed for the target axis only instead of for all axes. Go to steps for the target axis to set the origin.

CAUTION

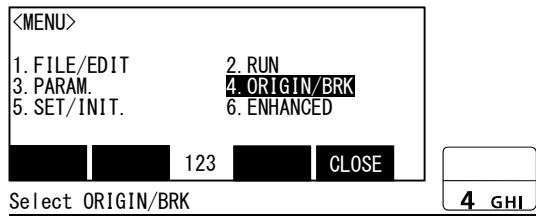
In the following procedure, the J3 axis brake is released to move its shaft with both hands.

When the brake is released, the J3 axis falls by its own weight.

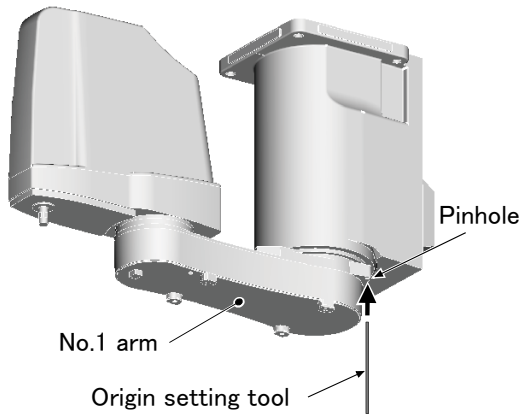
To ensure safety, take appropriate measures such as supporting the axis to avoid the free fall.

This operation is carried out with the teaching pendant. Set the mode of the controller to "MANUAL", and set the [ENABLE] switch on the teaching pendant to "ENABLE" to enable the teaching pendant.
 Do the following operations, pressing down the enabling switch of T/B lightly.

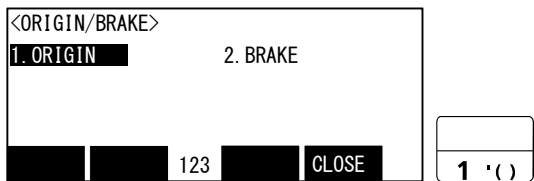
(1) J1 axis origin setting



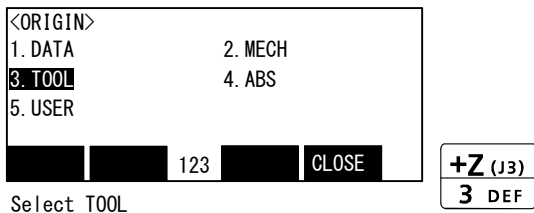
1) Press the [4] key on the menu screen, and display the Origin/Break selection screen.



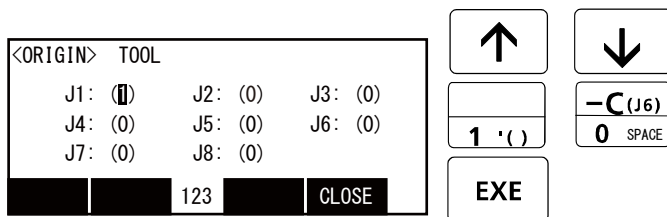
2) Move the J1 axis slowly toward the front using both hands. Align the pinhole of the No.1 arm and the pinhole at the base section, feed through the origin jig into the pinholes and fasten.



3) Press the [1] key, and display the Origin setting selection screen.

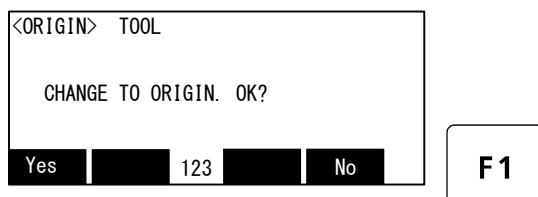


4) Press the [3] key, and display the Tool selection screen.



5) Input "1" into the J1 axis. Set "0" to other axes.

6) Press the [EXE] key, and display Confirmation screen.



7) Press the [F1] key, and the origin position is set up.

| <ORIGIN> | TOOL | COMPLETED | |
|----------|---------|-----------|-------|
| J1: (1) | J2: (0) | J3: (0) | |
| J4: (0) | J5: (0) | J6: (0) | |
| J7: (0) | J8: (0) | | |
| | 123 | | CLOSE |

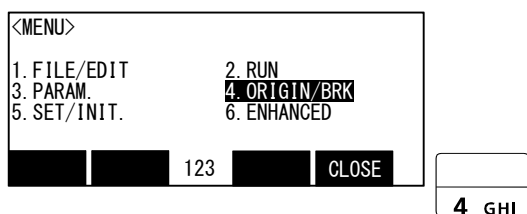
8) Setting of the origin is completed.

9) Refer to [Page 106](#), "5.6.5 Recording the origin data" in this manual, and record the origin data on the origin data seal.

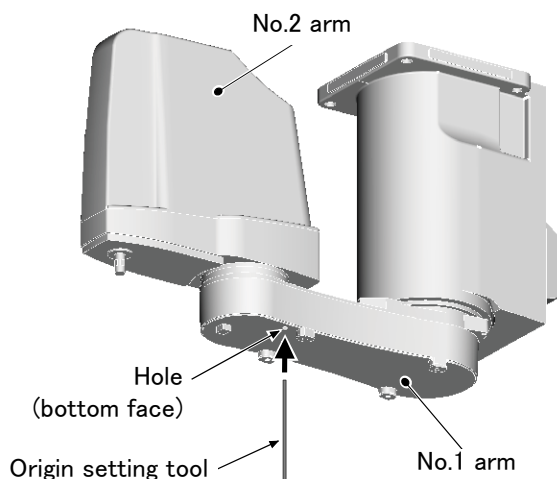
◆◆◆ Select the axis of origin setting ◆◆◆

Do cursor movement into the parenthesis of each axis by the arrow key. The origin is set only for the axis for which a "1" is displayed on the screen. If the origin is not to be set, press the [0] key and display a "0".

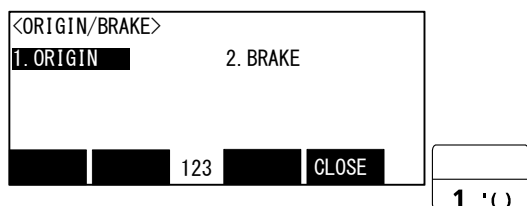
(2) J2 axis origin setting



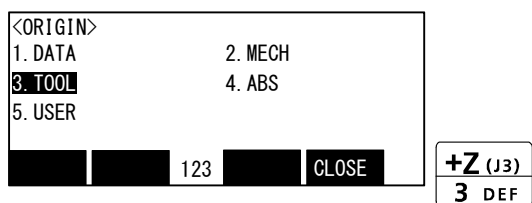
1) Press the [4] key on the menu screen, and display the Origin/Break selection screen.



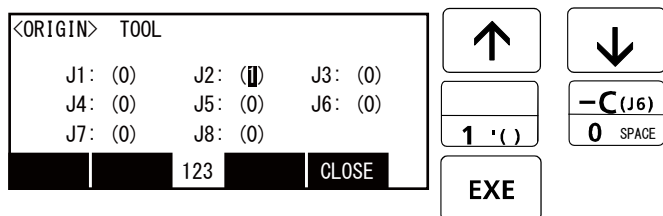
2) Move the J2 axis slowly with both hands to the position around $\pm 0^\circ$. And align the pinholes of the No. 1 and No. 2 arms, feed through the origin jig into the pinholes and fasten.



3) Press the [1] key, and display the Origin setting selection screen.

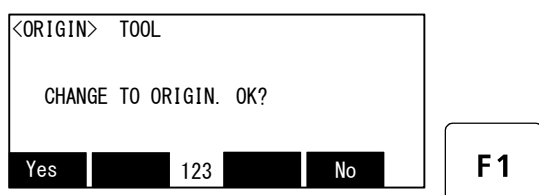


4) Press the [3] key, and display the Tool selection screen.



5) Input "1" into the J2 axis. Set "0" to other axes.

6) Press the [EXE] key, and display Confirmation screen.



7) Press the [F1] key, and the origin position is set up.

| <ORIGIN> | TOOL | COMPLETED |
|----------|---------|-----------|
| J1: (0) | J2: (1) | J3: (0) |
| J4: (0) | J5: (0) | J6: (0) |
| J7: (0) | J8: (0) | |
| | 123 | CLOSE |

8) Setting of the origin is completed.

9) Refer to [Page 106, "5.6.5 Recording the origin data"](#) in this manual, and record the origin data on the origin data seal.

◆◆◆ Select the axis of origin setting ◆◆◆

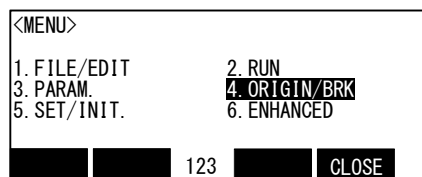
Do cursor movement into the parenthesis of each axis by the arrow key. The origin is set only for the axis for which a "1" is displayed on the screen. If the origin is not to be set, press the [0] key and display a "0".

(3) J3 and J4 axis origin setting

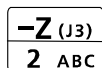
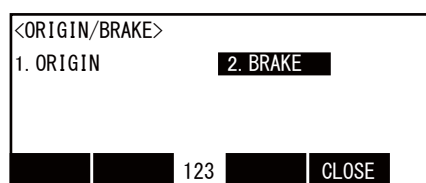
Always perform origin setting of the J3 axis and the J4 axis simultaneously. If the wiring and piping is passed in the shaft, remove the No.2 arm cover U and operate the origin setting.

Note) If origin setting is carried out with the No.2 arm cover U installed, the origin may not be set up correctly because the wiring and the piping interfere with the No.2 arm cover U.

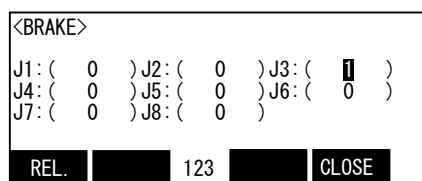
- 1) If the wiring and piping is passed in the shaft, removes the No.2 arm cover U referring the [Page 67](#), "5.3.2 Installing/removing the cover". It is not necessary to remove the cover if wiring and piping is not passed.



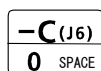
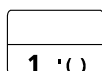
- 2) Press the [4] key on the menu screen, and display the Origin/Break selection screen.



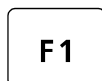
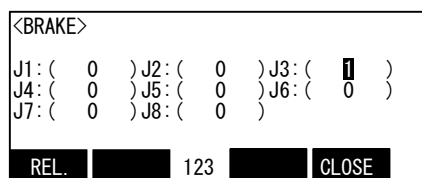
- 3) Press the [2] key, and display the Break release selection screen.



- 4) Release the brake of the J3 axis.
Input "1" into the J3 axis. Set "0" to other axes.



- 5) Confirm the axis for which the brakes are to be released.

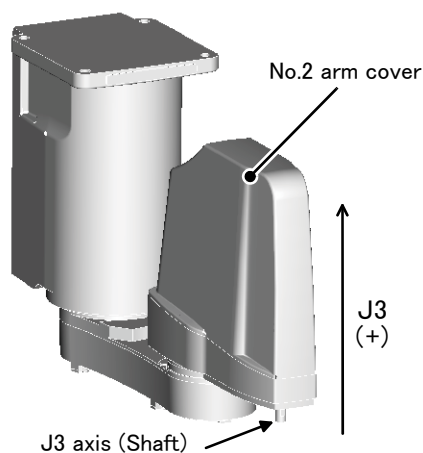


- 6) Pressing the [F1] key is kept with the enabling switch of T/B pressed down. The brake is released while pressing the key.

Note) The brake of the axis shown below repeats release/lock at the interval in each about 200ms for dropping the J3 axis slowly.

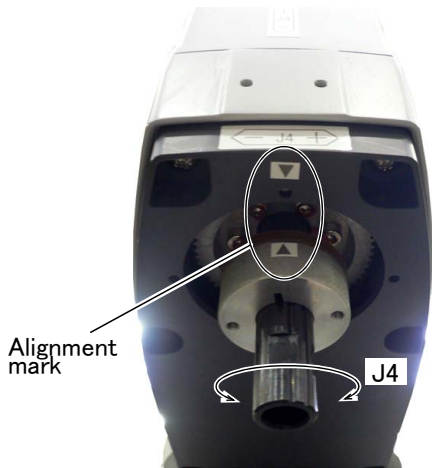
- 7) With both hands, slowly move the J3 axis in + (plus) direction, and contact the axis against the mechanical stopper. Match the alignment mark of J4 axis in this condition next.

Go to the following procedure continuously.



CAUTION When the brake is released, the J3 axis falls by its own weight. To ensure safety, take appropriate measures such as supporting the axis to avoid the free fall.

CAUTION If [F1] key or enable switch of T/B is released, the brakes will be work immediately.



8) Hold the J4 axis with your hand and rotate it slowly to match the alignment marks.
 Move the J4 axis with maintaining the condition that the releasing brake of the J3 axis and the J3 axis contact to the mechanical stopper.
 Note) If the J3 axis has slid, move the J3 axis against the mechanical stopper, and contact again.

| | | | | | |
|-----------|-----------|-----------|--|--|--|
| <BRAKE> | | | | | |
| J1: (0) | J2: (0) | J3: (1) | | | |
| J4: (0) | J5: (0) | J6: (0) | | | |
| J7: (0) | J8: (0) | | | | |
| REL. | 123 | CLOSE | | | |

F4

9) Detach the [F1] key and work the brake.
 Press the [F4] key and return to the origin / brake screen.

| | |
|----------------|----------|
| <ORIGIN/BRAKE> | |
| 1. ORIGIN | 2. BRAKE |
| 123 | |
| CLOSE | |

1 '()

10) Press the [1] key, and display the Origin setting selection screen.

| | |
|----------|---------|
| <ORIGIN> | |
| 1. DATA | 2. MECH |
| 3. TOOL | 4. ABS |
| 5. USER | |
| 123 | |
| CLOSE | |

+Z (J3)
3 DEF

11) Press the [3] key, and display the Tool selection screen.

| | | |
|---------------|---------|---------|
| <ORIGIN> TOOL | | |
| J1: (0) | J2: (0) | J3: (1) |
| J4: (1) | J5: (0) | J6: (0) |
| J7: (0) | J8: (0) | |
| 123 | | |
| CLOSE | | |

↑

↓

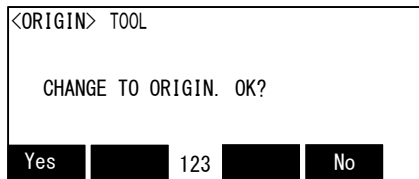
-C (J6)
0 SPACE

1 '()

EXE

12) Input "1" into the J3 and J4 axis. Set "0" to other axes.

13) Press the [EXE] key, and display Confirmation screen.



F1

- 14) Press the [F1] key, and the origin position is set up.
- 15) When No.2 arm cover U was removed, installs as before.
- 16) Setting of the origin is completed.
- 17) Refer to [Page 106](#), "5.6.5 Recording the origin data" in this manual, and record the origin data on the origin data seal.

◆◆◆ Release the brake ◆◆◆

Do cursor movement into the parenthesis of each axis by the arrow key. The brakes can be released only for the axis for which a "1" is displayed on the screen. If the brakes are not to be released, press the [0] key and display a "0". If the [F1] key on the teaching pendant or the enabling switch is detached while the brakes are released, the brakes will be work immediately.

◆◆◆ Select the axis of origin setting ◆◆◆

Do cursor movement into the parenthesis of each axis by the arrow key. The origin is set only for the axis for which a "1" is displayed on the screen. If the origin is not to be set, press the [0] key and display a "0".

5.6.3 ABS origin method

When the origin setting of the robot is performed for the first time, this product records the angular position of the origin within one rotation of the encoder as the offset value. If the origin setting is performed according to the ABS origin method, this value is used to suppress variations in the origin setting operations and to reproduce the initial origin position accurately.

This operation is carried out with the teaching pendant. Set the mode of the controller to "MANUAL", and set the [ENABLE] switch on the teaching pendant to "ENABLE" to enable the teaching pendant.

First, set to the ABS mark arrow of the axis for which the origin is to be set with jog operation. This can be set for all axes simultaneously or each axis independently.

To align the ABS marks, view the robot from the front. The deviation between the end points of the two triangular marks must be 1 mm or less.

The positions where the ABS mark is attached are shown in below. Refer to [Page 22, "2.3 Confirming the operation"](#) for details on the jog operation.

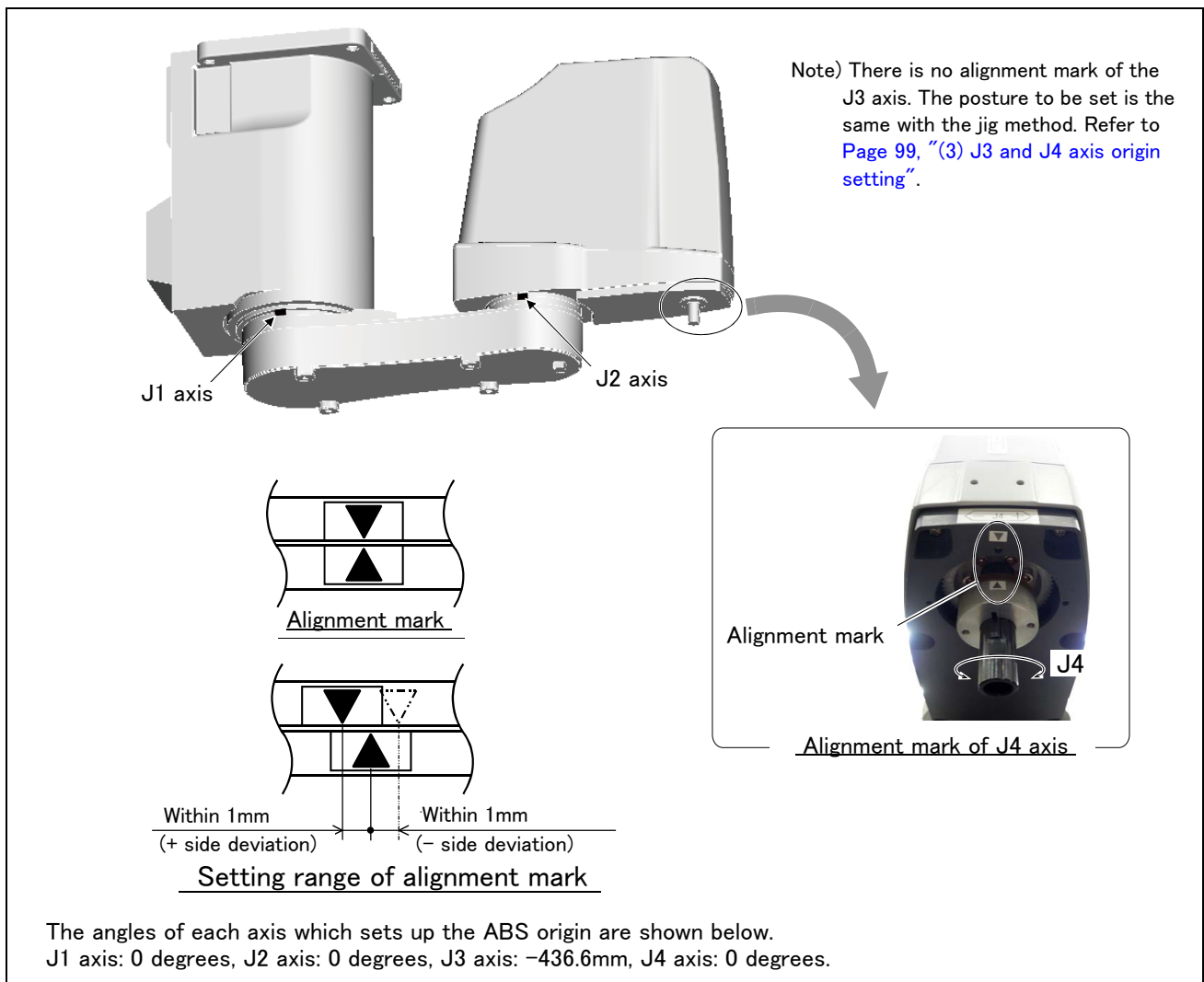


Fig.5-19 : ABS mark attachment positions

(1) Origin setting procedure

Do the following operations with pressing the enabling switch of T/B lightly.

```

<MENU>
1. FILE/EDIT      2. RUN
3. PARAM.        4. ORIGIN/BRK
5. SET/INIT.     6. ENHANCED
REL. 123 CLOSE
  
```

```

4 GHI
  
```

1) Press the [4] key on the menu screen, and display the Origin/Brake selection screen.

```

<ORIGIN/BRAKE>
1. ORIGIN      2. BRAKE
REL. 123 CLOSE
  
```

```

1 '()
  
```

2) Press the [1] key, and display the Origin setting selection screen.

```

<ORIGIN>
1. DATA      2. MECH
3. TOOL      4. ABS
5. USER
REL. 123 CLOSE
  
```

```

4 GHI
  
```

3) Press the [4] key, and display the ABS selection screen.

```

<ABS>
J1:( 1 ) J2:( 0 ) J3:( 0 )
J4:( 0 ) J5:( 0 ) J6:( 0 )
J7:( 0 ) J8:( 0 )
REL. 123 CLOSE
  
```

```

↑ ↓
1 '() → EXE
  
```

4) Input "1" into the axis to origin setting. Press the [EXE] key, and display Confirmation screen.

```

<ORIGIN> ABS
CHANGE TO ORIGIN. OK?
Yes 123 No
  
```

```

F1
  
```

5) Press the [F1] key, and the origin position is set up.

6) Refer to [Page 106, "5.6.5 Recording the origin data"](#) in this manual, and record the origin data on the origin data seal.

```

<ABS>
J1:( 1 ) J2:( 0 ) J3:( 0 )
J4:( 0 ) J5:( 0 ) J6:( 0 )
J7:( 0 ) J8:( 0 )
REL. 123 CLOSE
  
```

**CAUTION**

After setting the origin, when the joint coordinates of the ABS mark position deviate from the coordinates of the ABS origin by 1.5° or more, align the end points of the ABS marks and set the origin using the ABS origin method again.

**CAUTION**

If the ABS marks on axes other than the J4 axis have peeled off, set the origin using the ABS origin method with the robot in the same posture used for the jig method. The joint coordinates are the same between the ABS origin method and the jig method.

5.6.4 User origin method



CAUTION

Before using this method, the origin must be set with the other method. The setting method is explained in [Page 89, "Table 5-12 : Origin setting method"](#).

The procedure for setting the origin with the user origin method is explained below. This operation is carried out with the teaching pendant. Set the [ENABLE] switch on the teaching pendant to "ENABLE" to enable the teaching pendant. The operation method is shown below. The operation method is shown below.

Software version "C2j" or later has the "user origin data setting specification parameter (UORGSPEC)". Changing the setting value to "1" (high accuracy) will perform compensation considering sagging due to the gravity applied to the robot. This improves the accuracy of setting the origin with this method. However, if the setting value is changed to "1" (high accuracy), reset the user origin position and origin. With software version earlier than "C2j", after setting the user origin position and changing the parameter (UORGSPEC) to "1" (high accuracy), setting the origin will deteriorate the accuracy. Therefore, perform the above steps without fail. This function is available for the RV-FR series. As the RH-FRH series are not subject to sagging, the settings are not effective.

When setting the origin for the first time using this method, carry out the operations in order from step "1)". For the second and following time, move the robot arm to the user origin position with jog operation, and accurately position all axes. Then start the procedure from step "4)".

- 1) Determine the user origin position

Operations required before configuring the settings

The same hand and workpiece conditions must be applied for the user origin position and user origin settings. Be sure to perform the following operations.

- Disable the "robot mechanism thermal compensation function".
- Set the hand and workpiece conditions (HNDDAT0, WRKDAT0) beforehand.

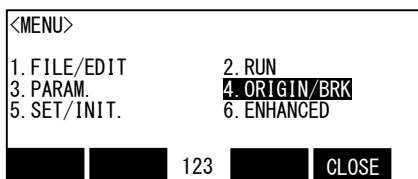
Move the robot to the position to be set as the origin with jog operation. Refer to [Page 22, "2.3 Confirming the operation"](#) for details on the jog operation.



CAUTION

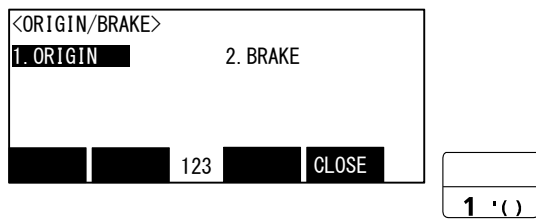
Choose the user origin position as the position where it doesn't move by the gravity. This position is left as a guideline to position all axes with jog operation when setting the origin again with this method.

- 2) Enter the JOINT jog mode, and display the joint coordinates on the teaching pendant screen. Record the value of the axis for which the origin is to be set.
- 3) Input the value recorded in the "user designated origin parameter (USERORG)". The parameter details and input methods are described in the separate "Instruction Manual/Detailed Explanation of Functions and Operations". Refer to that manual and input the user designated origin position.

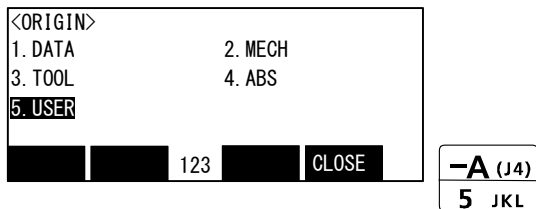


Before performing step 4), refer to [Page 104, "Operations required before configuring the settings"](#).

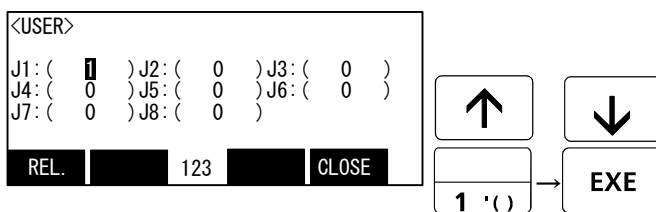
- 4) Next, set the origin. Display the menu screen.
- 5) Press the [4] key on the menu screen, and display the Origin/Brake selection screen.



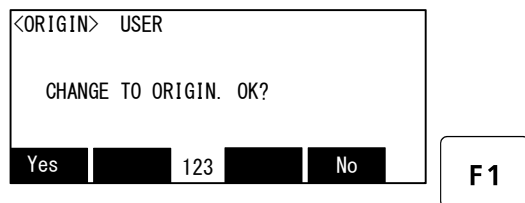
6) Press the [1] key, and display the Origin setting selection screen.



7) Press the [5] key, and display the User selection screen.



8) Input "1" into the axis to origin setting. Press the [EXE] key, and display Confirmation screen.



9) Press the [F1] key, and the origin position is set up.

10) Refer to [Page 106](#), "5.6.5 Recording the origin data" in this manual, and record the origin data on the origin data seal.

The origin settings are completed by the user origin method.

5.6.5 Recording the origin data

Confirm the origin data on the teaching pendant screen (origin data input screen). The origin data label is enclosed with the following cover.

| Robot model | Cover |
|-------------|---------------|
| RH-1FRHR | Battery cover |

The teaching pendant operation method and the cover removal method for confirming the origin data is the same as the methods for setting the origin with the origin data input method. Refer to [Page 90, "5.6.1 Setting the origin with the origin data input method"](#), and write the origin data displayed on the teaching pendant onto the origin label.

(1) Confirming the origin data label

Remove the cover.

Refer to [Page 67, "5.3.2 Installing/removing the cover"](#), and remove the cover.

(2) Confirming the origin data

Confirm the value displayed on the teaching pendant's Origin Data Input screen.

Refer to [Page 90, "5.6.1 Setting the origin with the origin data input method"](#), "(3)Inputting the origin data", and display the Origin Data Input screen on the teaching pendant display screen.

(3) Recording the origin data

Write the origin data displayed on the teaching pendant to the origin data label.

Refer to [Page 90, "Fig.5-16 : Origin data label \(an example\)"](#) for details on the origin data label.

(4) Installing the cover

Install the cover removed in step "(1)Confirming the origin data label" above.

Refer to [Page 67, "5.3.2 Installing/removing the cover"](#), and replace the cover.

5.7 How to release the brake in an emergency

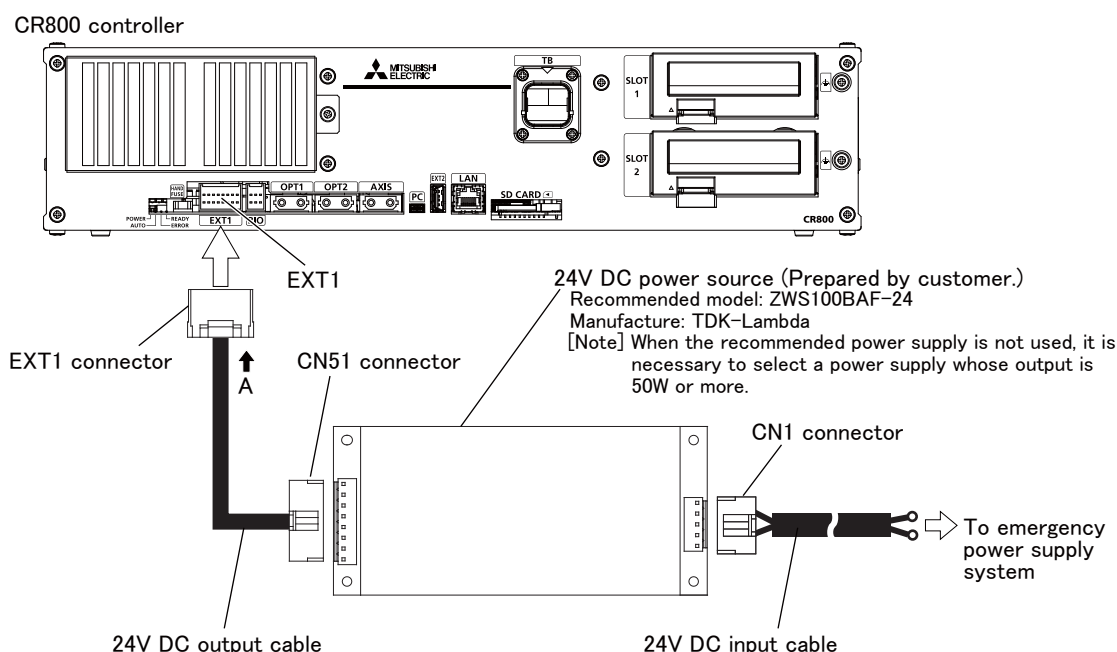
The following describes how to release the brake using the emergency power supply in an emergency. Using an emergency power supply system separated from the primary power supply of the robot prevents the robot from moving accidentally during the brake release operation, which contributes to enhancing customer safety.

An emergency here means an emergency stop of robot operation, which requires the brake release operation to set the robot in an evacuation posture temporarily.

[Note] Do not connect an emergency power supply to multiple robots and release their brakes at the same time.

- 1) Connect the teaching pendant to the robot controller.
- 2) Connect the 24V DC power supply to EXT1 of the controller as shown in the figure below.
To prevent accidental power supply from the primary power supply of the robot, prepare an emergency power supply system separated from the primary power supply of the robot to supply AC power to the 24V DC power supply.

[Note] For using the CR800-R controller, it is necessary to turn on the primary power supply of the robot CPU system (PLC). But, do not turn on the primary power supply of the CR800-R controller.

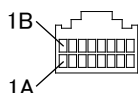


The following shows the connector specifications.

EXT1 connector
Connector: J21DF-16V-KX
Contact: SJ2F-01GF-P1.0
Manufacture: JST

CN51 connector (recommended)
Connector: VHR-8N
Contact: SVH-41T-P1.1
Manufacture: JST

CN1 connector (recommended)
Connector: VHR-5N
Contact: SVH-41T-P1.1
Manufacture: JST



Pin assignment

| Pin number | Signal name |
|------------|-------------|
| 8A | 24V |
| 8B | |
| 3B | |
| 7A | GND |
| 7B | |
| 3A | |

Pin assignment

| Pin number | Signal name |
|------------|-------------|
| 1 | GND |
| 2 | |
| 3 | |
| 4 | |
| 5 | 24V |
| 6 | |
| 7 | |
| 8 | |

Pin assignment

| Pin number | Signal name |
|------------|-------------|
| 1 | L |
| 3 | N |
| 5 | FG |

- 3) When the 24V DC power supply is turned on, the controller starts and then errors (H0712, H0090, H0212) will occur.

[Note] For using the R800-R controller, turn ON the 24V DC power supply, then the robot CPU system power on.

4) Release the brake using the teaching pendant.

For the brake release operation using the teaching pendant, refer to "Explanation of operation methods" in the separate volume, "Instruction Manual/Detailed Explanations of Functions and Operations".

6 Appendix

Appendix 1 : Configuration flag

The configuration flag indicates the robot posture.

For the robot, the robot hand end is saved with the position data configured of X, Y, Z, A, B and C. However, even with the same position data, there are several postures that the robot can change to. The posture is expressed by this configuration flag, and the posture is saved with FL1 in the position constant (X, Y, Z, A, B, C) (FL1, FL2).

The types of configuration flags are shown below.

(1) RIGHT/LEFT

Indicates the location of the end axis relative to the line that passes through both the rotational center of the J1 axis and the rotational center of the J2 axis.

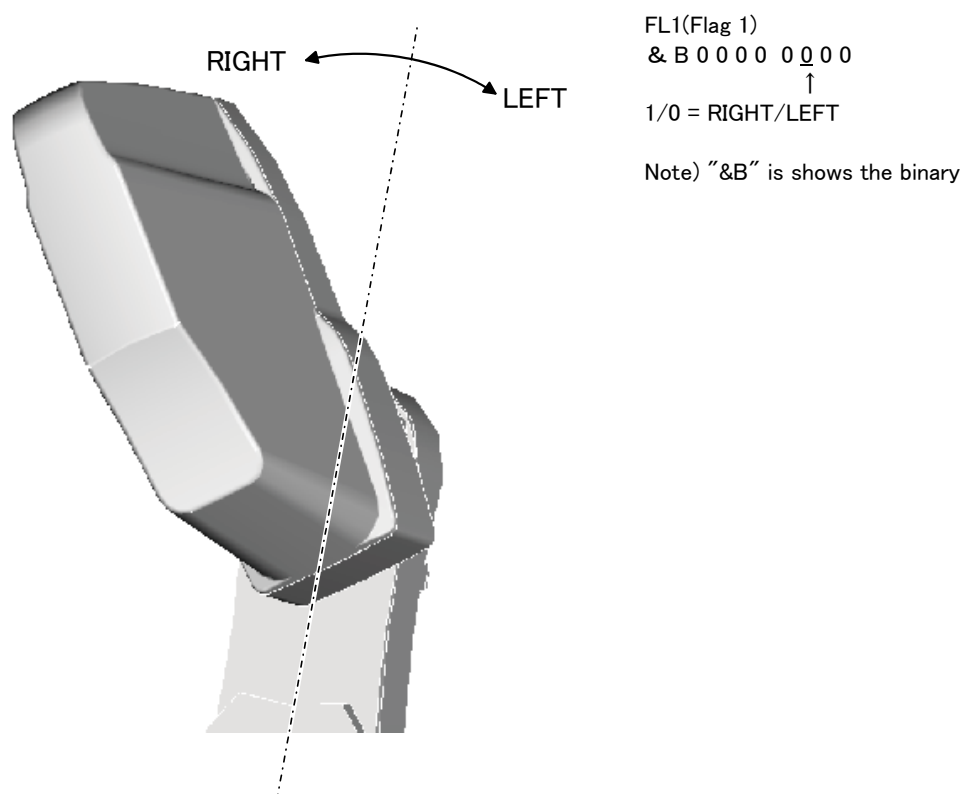


Fig.6-1 : Configuration flag (RIGHT/LEFT)

mitsubishi electric corporation

HEAD OFFICE: TOKYO BLDG., 2-7-3, MARUNOUCHI, CHIYODA-KU, TOKYO 100-8310, JAPAN
NAGOYA WORKS: 1-14, YADA-MINAMI 5-CHOME, HIGASHI-KU, NAGOYA 461-8670, JAPAN