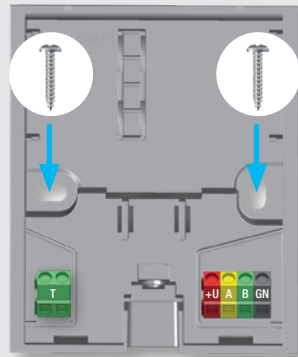


How to install the Sentio Outdoor Temperature Sensor

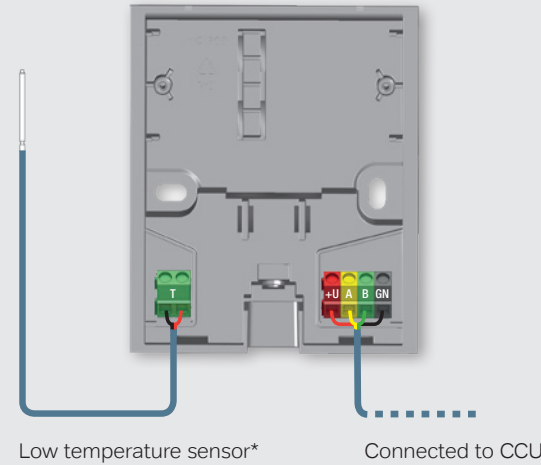


1. Wired Outdoor Temperature Sensor

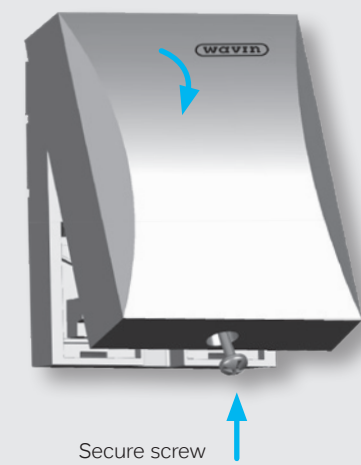
Mount



Connect

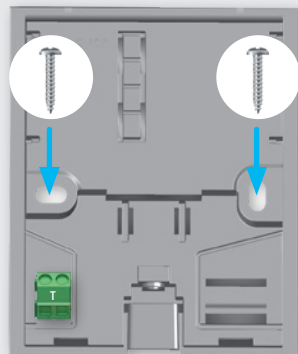


Close

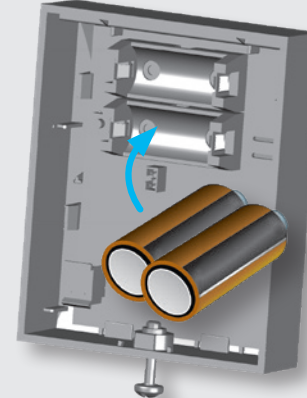


2. Wireless Outdoor Temperature Sensor

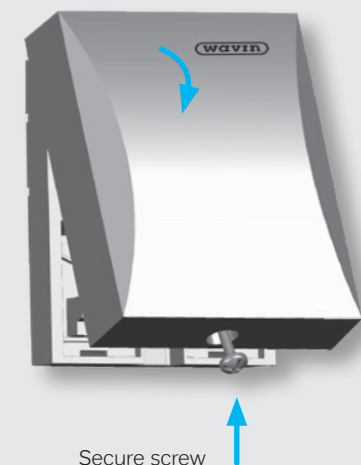
Mount



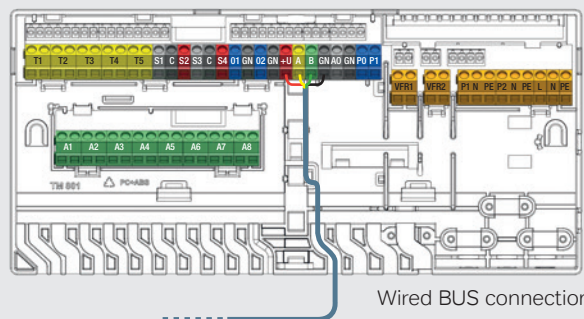
Connect



Close



Open sensor and place batterie(s). Bat. Type: 3V CR123A
4 years (one battery), 10 years (two batteries)



Wired BUS connection



Enroll by navigating to the global channel.
Wired outdoor sensor is enrolled automatically.



Enroll to multiple units (via SN) for shared outdoor temperature

Technical specifications Wired outdoor sensor

Power supply	10 V DC-30 V DC, typically 24 V DC
Device consumption	Max. 2mA in standby mode Avg. 1,2mA with PT1000
Control range temperature	25T60 (-25°C to +60°C)
Operational temperature	40T70 (-40°C to +70°C)
Dimensions	90 x 110 x 35mm
Weight	125g
Protection	IP53 (EN 60529)
Operation environment	humidity 0-99%, outdoor, no condensation
Complies with	EN 60730-1:2011, EN 55032:2012, EN 55024:2010 / A1:2015, EN 50581:2012, Directive 2014/30/EU, Directive 2011/65/EU

* Optional external sensor (type PT 1000) can be connected to enlarge the temperature control range from -50 °C to +200 °C (accuracy ±1°C).

Technical specifications Wireless outdoor sensor

Power supply	2,0-3,5V (3,0V Lithium battery type CR123A, 2 can be connected in parallel)
Battery service life	Typically 4 years (one battery) / 10 years (two batteries) Default one battery
Max. device consumption	50 mA, 20 µA Standby
Communication band	868,5 MHz
Communication range	Up to 200m (open area)
Control range temperature	25T60 (-25°C to +60°C)
Operational temperature	25T60 (-25°C to +60°C) (recommended for CR123A)
Dimensions	90 x 110 x 35mm
Weight	145g (without batteries)
Protection	IP53 (EN 60529)
Operation environment	humidity 0-99%, outdoor, no condensation
Complies with	EN 62368-1:2014 / Cor 1:2015/A11:2017, ETSI EN 300 220-2 V3.1.1.2017, EN 60730-1:2011, EN 55032:2012, EN 55024:2010 / A1:2015, EN 50581:2012, Directive 2014/53/EU, Directive 2014/35/EU, Directive 2014/30/EU, Directive 2011/65/EU

* Optional external sensor (type PT 1000) can be connected to enlarge the temperature control range from -50 °C to +200 °C (accuracy ±1°C).

