

Hand Clamp Cutter

HCC 2000 | 519



Recommended for the REMOVAL of genuine Oetiker Ear Clamps

Benefits

- Clear vision on application
- Quick and easy ear clamp cutting
- Straight soft grip handles
- Safest method of clamp removal



Hand Clamp Cutter
HCC 2000 | 519
Item no. 14100519

Compound action cutting tools: maximum mechanical advantage for easier and safer use

Specially designed: for removing Oetiker Ear Clamps only



Hand Clamp Cutter HCC 2000 | 519

TECHNICAL DATA OVERVIEW

Model No.	HCC 2000 519
Item No.	14100519
Dimensions:	
Length	224.0 mm
Width	47.0 mm
Height	23.0 mm
Weight	325 g
Jaw width	12.7 mm
Opening gap	13.3 mm
Max. ear width	13.0 mm
Reference jaw force	2000 N

DESCRIPTION

Oetiker Hand Clamp Cutters are designed to safely remove Oetiker Ear Clamps that can be closed with Oetiker HIP 2000 series Hand Installation Pincers or similar power tools. See applicable clamps section below for more details.

They are designed to deliver many cutting cycles without loss of performance, using the lowest practical cutting force. Constructed of solid metal for long tool life, with textured grips for a more secure hold.

FOR CLAMP REMOVAL ONLY. Orange grips distinguish Hand Clamp Cutters from the blue Hand Installation Pincers. High mechanical advantage makes clamp removal easier and reduces the risk of strain injury.

Patent pending

APPLICABLE CLAMPS

The Hand Clamp Cutter HCC 2000 | 519 will cut the below ear clamps up to the band width and thicknesses listed.

Stainless Steel Band

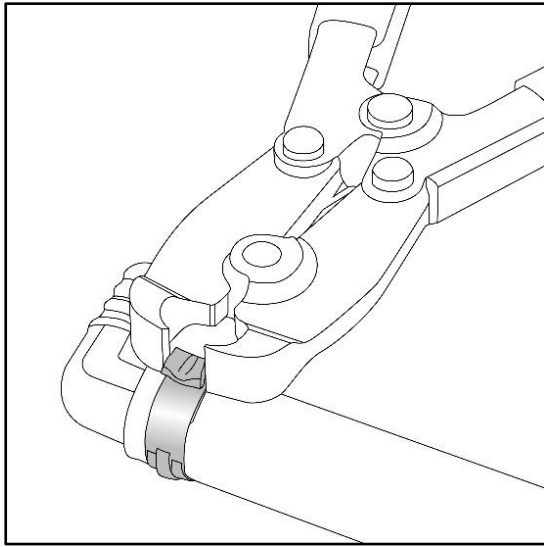
width		thickness
9.0 mm	x	0.6 mm
7.0 mm	x	0.8 mm

Steel Band

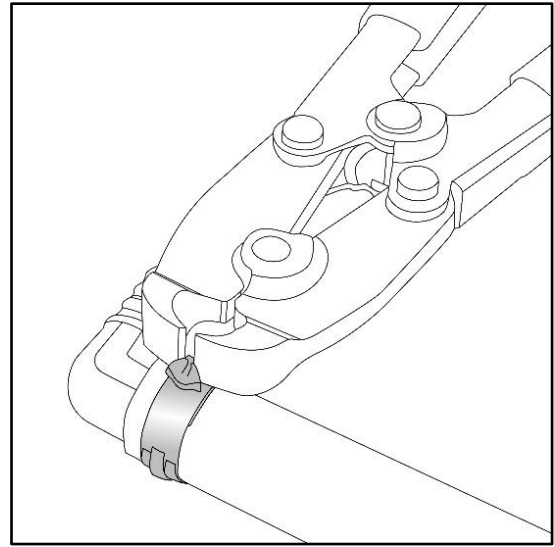
width		thickness
9.0 mm	x	0.8 mm



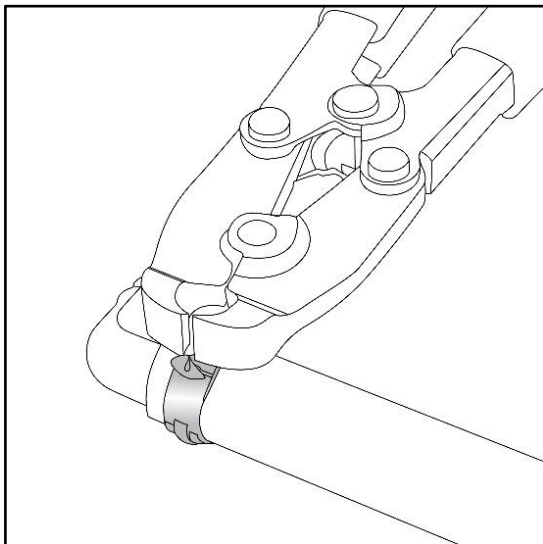
INSTRUCTION GUIDE



1. Place jaw tips on each side of clamp ear or single leg



2. Squeeze handles



3. Cut through and remove clamp

Caution must be observed with Hand Clamp Cutters. They can generate extreme forces. **It is recommended that protective eye wear be worn when cutting clamps.**

FOR CLAMP REMOVAL ONLY