

Technical Data Sheet

Installation Tools

Installation of Ear Clamps and Low Profile Clamps



Connecting Technology



Control Unit

with Trigger unit EL
(EL = electronic version)or with Trigger unit ELT
ergonomic handling
(ELT = electronic version with
extended trigger)

Highly efficient, verified installation

Process reliability, electronic monitoring of all specified parameters – 100% documentation

Prevention of multiple closures by means of clamp detection in the pincer head

Up to 99 parameter data sets (APN) programmable

Optimal usability with the aid of function keys and large display

Force or stroke-priority action, either with or without initial holding feature and verification function

Complete integration into automated systems (USB-, extended mixed signal- and RS232 port)

Electronically Controlled Pneumatic Pincer Oetiker ELK 02

The control unit is selected by language. The pincer unit is determined by the type of Oetiker clamp to be installed, the required closing force and the available air pressure. The pincer and control unit together form a complete unit. To obtain the optimum closing force, please refer to the technical information for the product being installed, and take into account the availability of special pincer heads.

Oetiker will be pleased to help you find the correct choice for your application. Data log acquisition from an Oetiker ELK 02 available in the integrated "Measurement"-mask, when connected to a PC.

Standard hose/cable length of the Trigger Unit is 3 m. Alternative hose/cable lengths, also as angled versions, on request.

The ELK 02 control unit and the software can be operated in different languages. The technical description is included on a CD.

Selection example

For a closing force of ca. 3000 N using an HO 3000 EL, the available inlet pressure must be at least 6 bar. The closing force itself must be set to the required data by changing parameters in the ELK 02 control unit. This can be done using a PC and a sequence programmed into the ELK 02 or by an external control signal. A closing force tester, for example Test Equipment CAL 01, is used to determine and set the correct closing force.

Technical data ELK 02 control unit

Power supply:	85–265 V / 47–63 Hz
Power requirement:	30 Va (Fuse 10 A)
Compressed air supply:	4–10 bar
External dimensions:	200 x 230 x 70 mm
Weight:	3.7 kg

Delivery scope ELK 02 control unit

Control unit item no. 13600289
PC Software ELK 02
CD with operating instructions
Compressed air connection set (incl. filter/water separator)
Connection cable for all interfaces
Mains cable with country-specific plug

Selection of control unit

Plug type	Schuko plug (plug type F, 3-pole)	CH (plug type J, 3-pole)	UK (plug type G, 3-pole)	USA (plug type B, 3-pole)	South Amer- ica (plug 3-pole)	AUS (plug type I, 3-pole)	Japan (plug type B, 3-pole)
Norm conformity	CEE 7/4	SEV 1011	BS 1363	NEMA 5-15	NBR 14136	AS 3112	NEMA 5-15
Item No.	13600295	13600296	13600297	13600298	13600299	13600300	13600301

For control unit ELK 02, order pincer and pincer head in accordance with the requirements of the Oetiker clamp type to be assembled: see following pages.

Selection of complete pincer systems

The complete pincer system consists of pincer head and pincer.

- 1) First select the pincer head in accordance with the requirement.
- 2) Then select the pincer type (EL or ELT) in the corresponding columns below. The item numbers for the complete pincer include the pincer and the desired pincer head.

Pincer heads

Jaw width (mm)	5.5	7.5	7.5	10.2	10.2	10.5	10.5	14.5
Open gap (mm)	8.6	11.6	13.2	13.2	16.2	13.7	16.6	16.6
For ear width* (mm)	</= 7	8	10	10	13	10	13	13
Item No.	13900156	13900152	13900148	13900119	13900140	13900112	13900097	13900544

* measured inside

Type of pincer Standard trigger unit EL

EL
without
pincer head

HO 2000 EL								
Pincer complete	13900187	13900188	13900189	13900191	-	-	-	13900231
Replacement-jaw kit	13900166	13900167	13900168	13900163	-	-	-	
HO 3000 EL								
Pincer complete	-	13900192	13900193	13900195	13900196	-	-	13900232
Replacement-jaw kit	-	13900167	13900168	13900163	13900170	-	-	
HO 4000 EL								
Pincer complete	-	-	-	13900199	13900200	-	-	13900233
Replacement-jaw kit	-	-	-	13900163	13900170	-	-	
HO 5000 EL								
Pincer complete	-	-	-	-	-	13900201	13900202	13900234
Replacement-jaw kit	-	-	-	-	-	13900164	13900165	
HO 7000 EL								
Pincer complete	-	-	-	-	-	13900203	13900204	13900547
Replacement-jaw kit	-	-	-	-	-	13900164	13900165	13900545
Calibration adapter**	13600016	-	-	-	-	-	-	13600016

Type of pincer Standard Trigger unit ELT with extended trigger

ELT
without
pincer head

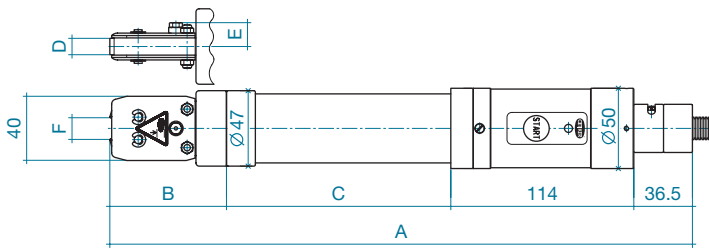
HO 2000 ELT								
Pincer complete	13900529	13900530	13900496	13900532	-	-	-	13900333
Replacement-jaw kit	13900166	13900167	13900168	13900163	-	-	-	
HO 3000 ELT								
Pincer complete	-	13900533	13900534	13900373	13900536	-	-	13900335
Replacement-jaw kit	-	13900167	13900168	13900163	13900170	-	-	
HO 4000 ELT								
Pincer complete	-	-	-	13900539	13900540	-	-	13900337
Replacement-jaw kit	-	-	-	13900163	13900170	-	-	
HO 5000 ELT								
Pincer complete	-	-	-	-	-	13900525	13900526	13900339
Replacement-jaw kit	-	-	-	-	-	13900164	13900165	
HO 7000 ELT								
Pincer complete	-	-	-	-	-	13900382	13900541	13900723
Replacement-jaw kit	-	-	-	-	-	13900164	13900165	13900545
Calibration adapter**	13600016	-	-	-	-	-	-	13600016

** already included in CAL 01

Item numbers in **bold type** are included in the recommended basic equipment. Replacement jaw kit = left and right pincer jaws complete with all necessary parts. The jaw width must be at least 0.5 mm wider than the band used for the clamps to be installed. The opening gap should be wide enough for the largest ear.

Technical data

HO 2000 EL/HO 3000 EL/HO 4000 EL



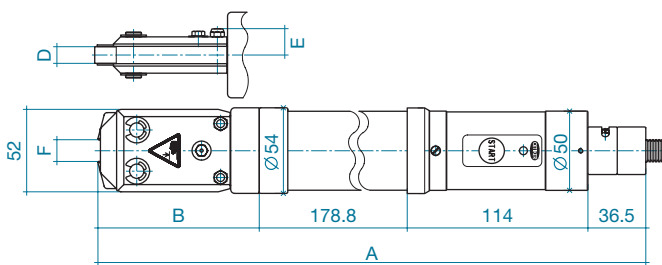
Pincer heads

Jaw width (mm)	5.5	7.5	7.5	10.2	10.2	10.2
For ear width* (mm)	<= 7	8	10	8	10	13
Item No.	13900156	13900152	13900148	13900144	13900119	13900140

Type of pincer

HO 2000 EL	A (mm)	325.0	324.0	324.0	324.0	324.0	-
	B (mm)	74.0	73.0	73.0	73.0	73.0	-
	C (mm)	101.0	101.0	101.0	101.0	101.0	-
	D (mm)	5.5	7.5	7.5	10.2	10.2	-
	E (mm)	12.3	13.3	13.3	14.9	14.9	-
	F (mm)	8.6	11.6	13.2	11.6	13.2	-
HO 3000 EL	A (mm)	-	363.0	363.0	363.0	363.0	368.0
	B (mm)	-	73.0	73.0	73.0	73.0	78.0
	C (mm)	-	140.0	140.0	140.0	140.0	140.0
	D (mm)	-	7.5	7.5	10.2	10.2	10.2
	E (mm)	-	13.3	13.3	14.9	14.9	14.9
	F (mm)	-	11.6	13.2	11.6	13.2	16.2
HO 4000 EL	A (mm)	-	-	402.0	402.0	402.0	407.0
	B (mm)	-	-	73.0	73.0	73.0	78.0
	C (mm)	-	-	179.0	179.0	179.0	179.0
	D (mm)	-	-	7.5	10.2	10.2	10.2
	E (mm)	-	-	13.3	14.9	14.9	14.9
	F (mm)	-	-	13.2	11.6	13.2	16.2

HO 5000 EL



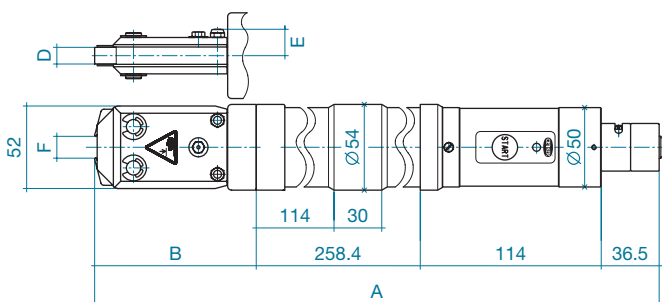
Pincer heads

Jaw width D (mm)	10.5	10.5	14.5
For ear width* (mm)	10	13	13
Item No.	13900112	13900097	13900544

Type of pincer

HO 5000 EL	A (mm)	420.0	425.0	425.0
	B (mm)	102.0	107.0	107.0
	E (mm)	16.6	16.6	18.6
	F (mm)	13.7	16.6	16.6

HO 7000 EL



Pincer heads

Jaw width D (mm)	10.5	10.5	14.5
For ear width* (mm)	10	13	13
Item No.	13900112	13900097	13900544

Type of pincer

HO 7000 EL	A (mm)	511.0	516.0	516.0
	B (mm)	102.0	107.0	107.0
	E (mm)	16.6	16.6	18.6
	F (mm)	13.7	16.6	16.6

* measured inside



Installation tool with high process reliability

Efficient, uniform assembly

High-quality, complete pincer system for uniform clamp closures

Full range of pincer heads, for compatibility to all standard clamps

Adaptation of special head designs possible

Pneumatic Pincers Oetiker ME

This high-quality, complete pincer system ensures the uniform installation of Oetiker clamps. The selection of the correct pincer body and head is dependent on the type of Oetiker clamp, the required closing force, and the air supply pressure that is available.

To obtain the optimum closing force, please refer to the technical information for the product being installed, and take into account the availability of special pincer heads.

Selection example

For a closing force of ca. 3000 N using an HO 3000 ME, the available inlet pressure must be at least 6 bar. The closing force must be set to the data given. To change the closing force, the inlet pressure must be adjusted. A closing force tester, for example Test Equipment CAL 01, is used to determine and set the correct closing force.

Delivery scope pneumatic pincer Oetiker ME

Oetiker ME with pincer head

Compressed air connection set (incl. filter/water separator)

Operating instruction

Selection of complete pincer systems

The complete pincer system consists of pincer head and pincer.

- 1) First select the pincer head in accordance with the requirement.
- 2) Then select the pincer type in the corresponding columns below. The item numbers for the complete pincer include the pincer and the desired pincer head.

Pincer heads

Jaw width (mm)	5.5	7.5	7.5	10.2	10.2	10.5	10.5	14.5
Open gap (mm)	8.6	11.6	13.2	13.2	16.2	13.7	16.6	16.6
For ear width* (mm)	</= 7	8	10	10	13	10	13	13
Item No.	13900158	13900154	13900150	13900138	13900142	13900113	13900114	13900543

Type of pincer

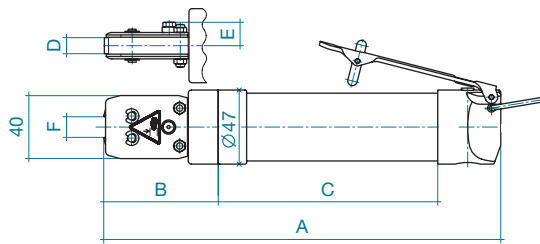
Type of pincer									ME without pincer head
HO 2000 ME									
Pincer complete	13900173	13900174	13900176	13900182	-	-	-	-	13900226
Replacement-jaw kit	13900166	13900167	13900168	13900163	-	-	-	-	
HO 3000 ME									
Pincer complete	-	13900175	13900177	13900183	13900185	-	-	-	13900227
Replacement-jaw kit	-	13900167	13900168	13900163	13900170	-	-	-	
HO 4000 ME									
Pincer complete	-	-	-	13900184	13900186	-	-	-	13900228
Replacement-jaw kit	-	-	-	13900163	13900170	-	-	-	
HO 5000 ME									
Pincer complete	-	-	-	-	-	13900161	13900162	-	13900229
Replacement-jaw kit	-	-	-	-	-	13900164	13900165	-	
HO 7000 ME									
Pincer complete	-	-	-	-	-	13900171	13900172	13900546	13900230
Replacement-jaw kit	-	-	-	-	-	13900164	13900165	13900545	

* measured inside

Item numbers in **bold type** are included in the recommended basic equipment. Replacement jaw kit = left and right pincer jaws complete with all necessary parts. The jaw width must be at least 0.5 mm wider than the band used for the clamps to be installed. The opening gap should be wide enough for the largest ear.

Technical data

HO 2000 ME/HO 3000 ME/HO 4000 ME



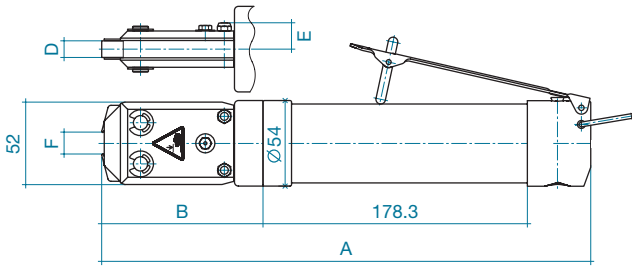
Pincer heads

Jaw width D (mm)	5.5	7.5	7.5	10.2	10.2
For ear width* (mm)	</= 7	8	10	10	13
Item No.	13900158	13900154	13900150	13900138	13900142

Type of pincer

HO 2000 ME	A (mm)	214.0	213.0	213.0	213.0	-
	B (mm)	74.0	73.0	73.0	73.0	-
	C (mm)	101.0	101.0	101.0	101.0	-
	D (mm)	5.5	7.5	7.5	10.2	-
	E (mm)	12.3	13.3	13.3	14.9	-
	F (mm)	8.6	11.6	13.2	13.2	-
HO 3000 ME	A (mm)	-	252.0	252.0	252.0	257.0
	B (mm)	-	73.0	73.0	73.0	78.0
	C (mm)	-	140.0	140.0	140.0	140.0
	D (mm)	-	7.5	7.5	10.2	10.2
	E (mm)	-	13.3	13.3	14.9	14.9
	F (mm)	-	11.6	13.2	13.2	16.2
HO 4000 ME	A (mm)	-	-	291.0	291.0	296.0
	B (mm)	-	-	73.0	73.0	78.0
	C (mm)	-	-	179.0	179.0	179.0
	D (mm)	-	-	7.5	10.2	10.2
	E (mm)	-	-	13.3	14.9	14.9
	F (mm)	-	-	13.2	13.2	16.2

HO 5000 ME



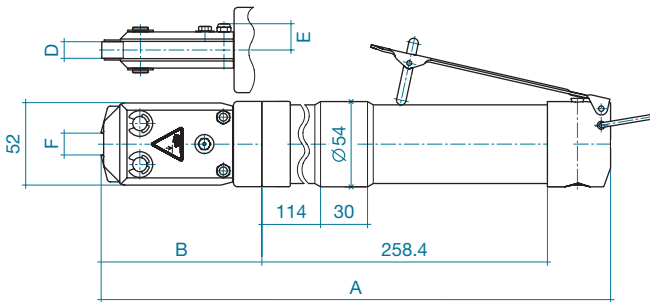
Pincer heads

Jaw width D (mm)	10.5	10.5	14.5
For ear width* (mm)	10	13	13
Item No.	13900113	13900114	13900543

Type of pincer

HO 5000 ME	A (mm)	309.0	314.0	314.0
	B (mm)	102.0	107.0	107.0
	E (mm)	16.6	16.6	18.6
	F (mm)	13.7	16.6	16.6

HO 7000 ME



Pincer heads

Jaw width D (mm)	10.5	10.5	14.5
For ear width* (mm)	10	13	13
Item No.	13900113	13900114	13900543

Type of pincer

HO 7000 ME	A (mm)	400.0	405.0	405.0
	B (mm)	102.0	107.0	107.0
	E (mm)	16.6	16.6	18.6
	F (mm)	13.7	16.6	16.6

* measured inside

Compressed air connection: internal thread G 1/4

Special Pincer Heads for Oetiker ME/EL

– Installation of Oetiker Ear Clamps ^{1/2}

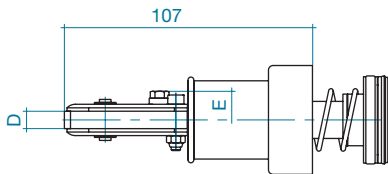
Pincer head with extended holders

Different extensions allow to reach areas where access is restricted.
Compatible with pincer types HO 2000 to HO 4000.

Selection of pincer heads

The jaw width must be at least 0.5 mm wider than the band used for the clamps to be installed. The opening gap should be wide enough for the largest ear.

Extension 34.5 mm



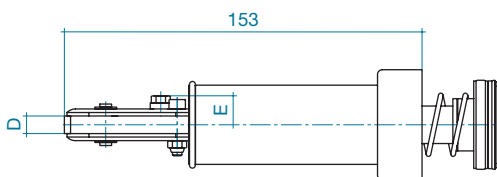
Pincer heads

Jaw width D (mm)	5.5	7.5	10.2
Open gap (mm)	8.6	13.2	13.2
Height E (mm)	11.0	12.0	14.0
For ear width* (mm)	≤ 7	10	10

Type of pincer

HO ME	Pincer head complete	13900272	13900274	13900276
	Replacement-jaw kit	13900166	13900168	13900163
HO EL	Pincer head complete	13900271	13900273	13900275
	Replacement-jaw kit	13900166	13900168	13900163
	Calibration adaptor**	13600016	13600016	13600016

Extension 80 mm



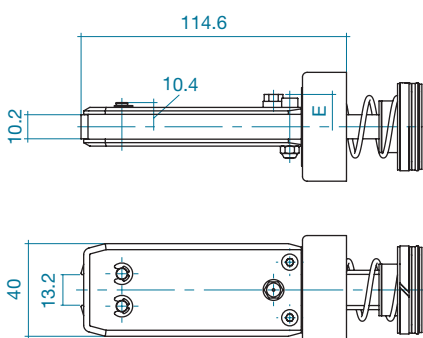
Pincer heads

Jaw width D (mm)	5.5	7.5	10.2
Open gap (mm)	8.6	13.2	13.2
Height E (mm)	11.0	12.0	14.0
For ear width* (mm)	≤ 7	10	10

Type of pincer

HO ME	Pincer head complete	13900278	13900280	13900282
	Replacement-jaw kit	13900166	13900168	13900163
HO EL	Pincer head complete	13900277	13900279	13900281
	Replacement-jaw kit	13900166	13900168	13900163
	Calibration adaptor**	13600016	13600016	13600016

Extension 42 mm, narrow



Pincer heads

Jaw width (mm)	10.2
Open gap (mm)	13.2
Height E (mm)	14.0
For ear width* (mm)	10

Type of pincer

HO ME	Pincer head complete	13900801
	Replacement-jaw kit	13900163
HO EL	Pincer head complete	13900802
	Replacement-jaw kit	13900163

* Measured inside

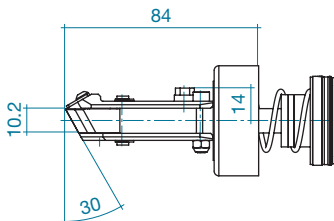
** already included in CAL 01

Pincer heads with angled jaws

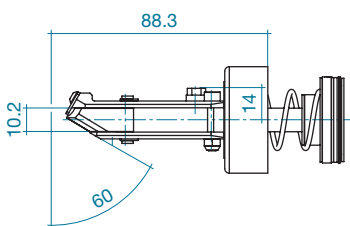
Specially for installing ear clamps where access is restricted.

Suitable for ear clamps with 7 and 9 mm band widths. Compatible with pincer types HO 2000 to HO 4000.

Jaws angled at 30°



Jaws angled at 60°



Pincer heads 30°

Jaw width (mm)	10.2
Open gap (mm)	13.2
For ear width* (mm)	10

Type of pincer

HO ME	Pincer head complete	13900706
HO EL	Pincer head complete	13900707
	Replacement-jaw kit	13900708
	Calibration set	13900871

Pincer heads 60°

Jaw width (mm)	10.2
Open gap (mm)	13.2
For ear width* (mm)	10

Type of pincer

HO ME	Pincer head complete	13900694
HO EL	Pincer head complete	13900697
	Replacement-jaw kit	13900695
	Calibration set	13900872

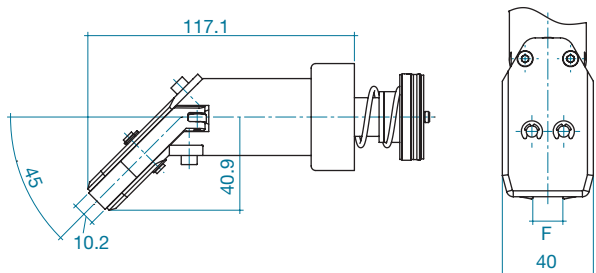
* Measured inside

Special Pincer Heads for Oetiker ME/EL

– Installation of Oetiker Ear Clamps ^{2/2}

Jaws angled at 45°

Compatible with pincer types HO 2000 to HO 4000.



Pincer heads 45°

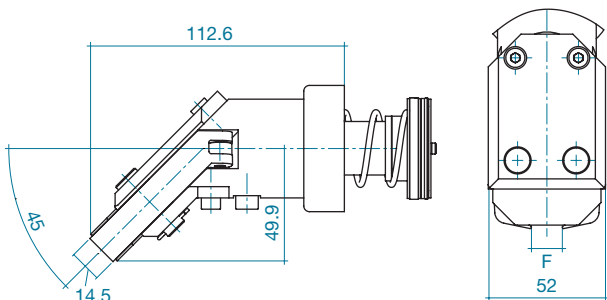
Jaw width (mm)	10.2	10.2
Open gap F (mm)	13.2	16.2
For ear width* (mm)	10	13

Type of pincer

HO ME Pincer head complete	13901271	13900775
Replacement-jaw kit	13900777	13900777
HO EL Pincer head complete		13900776
Replacement-jaw kit		13900777

Jaws angled at 45°

Compatible with pincer types HO 5000 and HO 7000.



Pincer heads 45°

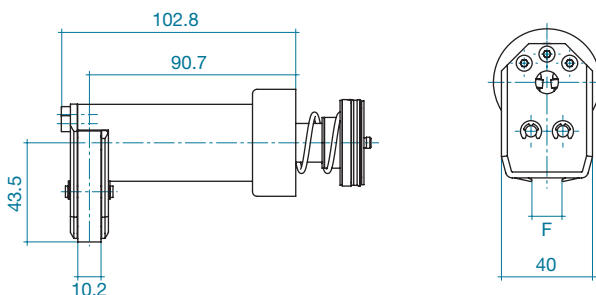
Jaw width (mm)	14.5	14.5
Open gap F (mm)	13.7	16.6
For ear width* (mm)	10	13

Type of pincer

HO ME Pincer head complete	13900784	13900782
Replacement-jaw kit	13900785	13900785
HO EL Pincer head complete		13900783
Replacement-jaw kit		13900785

Jaws angled at 90°

Compatible with pincer types HO 2000 to HO 4000.



Pincer heads 90°

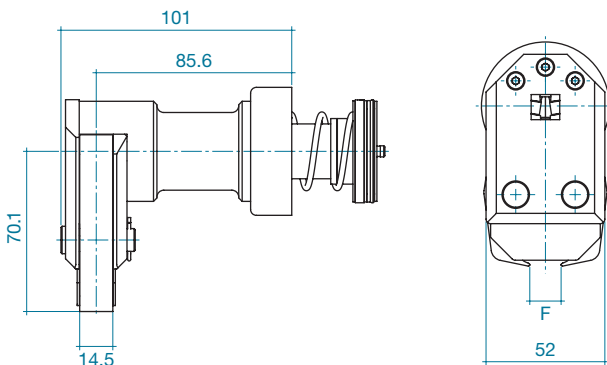
Jaw width (mm)	10.2	10.2
Open gap F (mm)	13.2	16.2
For ear width* (mm)	10	13

Type of pincer

HO ME Pincer head complete	13900781	13900778
Replacement-jaw kit	13900780	13900780
HO EL Pincer head complete		13900779
Replacement-jaw kit		13900780

Jaws angled at 90°

Compatible with pincer types HO 5000 to HO 7000.



Pincer heads 90°

Jaw width (mm)	14.5	14.5
Open gap F (mm)	13.7	16.6
For ear width* (mm)	10	13

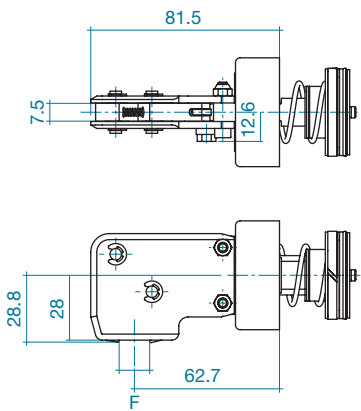
Type of pincer

HO ME Pincer head complete	13900788	13900786
Replacement-jaw kit	13900789	13900789
HO EL Pincer head complete		13900787
Replacement-jaw kit		13900789

* Measured inside

90° lengthwise

Compatible with pincer types HO 2000 to HO 4000.



Pincer heads 90° lengthwise

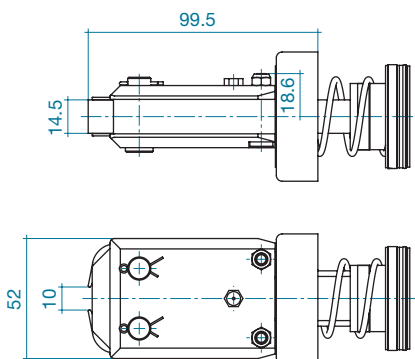
Jaw width (mm)	7.5	7.5
Open gap F (mm)	13.2	16.2
For ear width* (mm)	10	13

Type of pincer

HO ME Pincer head complete	13901280	13901282
HO EL Pincer head complete	13901281	13901283
Replacement-jaw kit	13901284	13901284

Pincer Head for 1-Ear Clamp with stud

Pincer head for installation of 1-Ear Clamp with stud, band width 14 mm. Compatible with pincer types HO 5000 and HO 7000.



Pincer heads

Jaw width (mm)	14.5
Open gap (mm)	10.0
For ear width* (mm)	≤ 5.5

Type of pincer

HO ME Pincer head complete	13900773
HO EL Pincer head complete	13900772
Replacement-jaw kit	13900771
Calibration set	13600146

* Measured inside

Special Pincer Heads for Oetiker ME/EL

– Installation of Oetiker Stepless® Low Profile Clamps

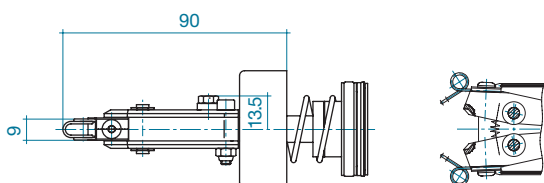
All Oetiker Stepless® Low Profile Clamps have unique head requirements and are specific to the product group designation and type.

When using Oetiker ME pneumatic pincers, it is essential to use a throttle valve for adjusting the closing speed.

Oetiker recommends the use of appropriate calibration equipment and techniques to ensure that the closing force is achieved. When used in conjunction with the HO EL body assembly, the force and closed gap can be controlled and monitored.

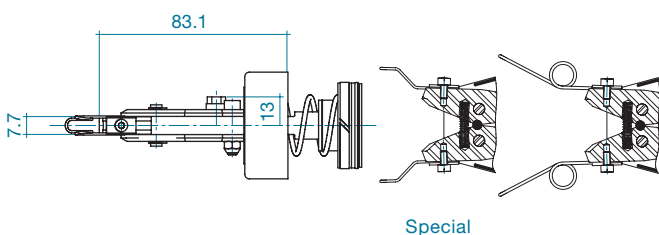
Pincer heads for installing reusable Stepless® Low Profile Clamps – Product Group 168 (RWV)

The hold-down springs fitted to both jaws make closure easier and improve handling. Compatible with pincer types HO 2000 to HO 4000.

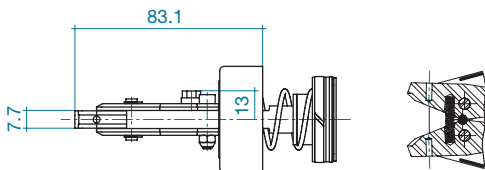


Pincer heads for installing Stepless® Low Profile Clamps – Product Group 168

The optional hold-down springs improve handling, especially for production-line applications. Can be used for standard clamps from 40 mm (or approx. 19.5 mm for special types). Can be used for clamps 7, 9 mm and 10 mm wide. Compatible with pincer types HO 3000 and HO 4000.



Pincer heads for installing Stepless® Low Profile Clamps with tolerance compensation – Product Group 168
Compatible with pincer types HO 3000 and HO 4000.



Pincer heads

Jaw width (mm)	9.0
----------------	-----

Pincer types

HO ME	Pincer head complete	13900257
	Replacement-jaw kit	13900295
	Spring accessory	13900302
	Calibration adaptor	13900862
	Throttle valve with plug DN6	13900636
	Throttle valve with adaptor for NPT 1	13900637
HO EL	Pincer head complete	13900634
	Replacement-jaw kit	13900295
	Spring accessory	13900302
	Calibration adaptor	13900862

Pincer heads

Jaw width (mm)	Standard	Special*
	7.7	7.7

Pincer types

HO ME	Pincer head complete	13900664	13900666
	Replacement-jaw kit	13900673	13900673
	Spring accessory	13900675	13900676
	Calibration adaptor	13900862	13900862
	Throttle valve with plug DN6	13900636	13900636
	Throttle valve with adaptor for NPT 1	13900637	13900637
HO EL	Pincer head complete	13900663	13900665
	Replacement-jaw kit	13900673	13900673
	Spring accessory	13900675	13900676
	Calibration adaptor	13900862	13900862

* Low-profile clamp with single closure hook – only for 7 mm band width. Especially suitable for small low-profile clamps

Pincer heads

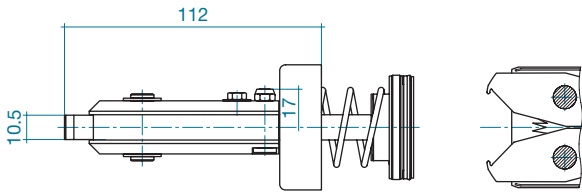
Jaw width (mm)	RT 8
	7.7

Pincer types

HO ME	Pincer head complete	13900670
	Replacement-jaw kit	13900673
	Calibration adaptor	13900862
HO EL	Pincer head complete	13900669
	Replacement-jaw kit	13900673
	Calibration adaptor	13900862

Pincer head for installing Stepless® Low Profile Clamp 192 – Product Group 192

Compatible with pincer types HO 5000 EL and HO 7000 EL.



Stepless® Low Profile Clamp 192 with tolerance compensation element

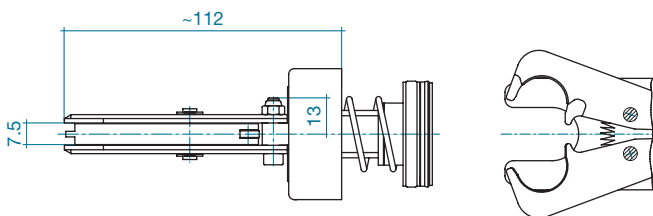
Pincer heads	1/3 waves
Jaw width (mm)	10.5

Pincer types

HO EL	Pincer head complete	13900555
	Replacement-jaw kit	13900556
	Calibration adaptor EL	13900495

Pincer head for installing Clamps ER – Product Group 194

Compatible with pincer types HO 2000–4000.



Pincer heads

Jaw width (mm)	7.5
----------------	-----

Pincer types

HO ME/EL	On request
----------	------------

The Oetiker Group: www.oetiker.com

Headquarters Switzerland

Hans Oetiker AG
Maschinen- und Apparatefabrik
Oberdorfstrasse 21
CH-8810 Horgen (Zürich)
T +41 44 728 55 55
info@ch.oetiker.com

Austria

Hans Oetiker
Maschinen- und Apparatebau
Ges.m.b.H.
Eduard-Klinger-Strasse 19
A-3423 St. Andrä-Wördern
T +43 2242 33 994-0
info@at.oetiker.com

Brazil

Oetiker do Brasil Imp. e Com. Ltda.
Av. Hugo Fumagali, nr. 586 - Sala B
07220-080 Cid. Industrial Satélite
Guarulhos (SP)
T +55 11 2303 7486
info@br.oetiker.com

Canada

Oetiker Limited
203 Dufferin Street South
P. O. Box 5500
Alliston, Ontario L9R 1W7
T +1 705 435 4394
info@ca.oetiker.com

P. R. China

Oetiker Industries (Tianjin) Ltd.
10 Shuangchenzhong Road
Beichen High Tech Industrial Park
Tianjin 300400
T +86 22 2697 1183
info@cn.oetiker.com

Czech Republic

Hans Oetiker spol. s r. o.
Videňská 116
CZ-37833 Nová Bystrice
T +420 384 386513
info@cz.oetiker.com

France

Oetiker Sarl
Parc d'activités du Bel Air
1, rue Charles Cordier
77164 Ferrières-en-Brie
T +33 1 79 74 10 90
info@fr.oetiker.com

Germany

Hans Oetiker
Metallwaren- & Apparatefabrik GmbH
Üsenbergerstrasse 13
D-79346 Edingen a. K.
T +49 76 42 6 84-0
info@de.oetiker.com

Kurt Allert GmbH & Co. KG

Postfach 1160
Austrasse 36
D-78727 Oberndorf a. N.
T +49 74 23 87 70-0
info@allert.oetiker.com

Hong Kong

Oetiker Far East Limited
2210 Tuen Mun Central Square
22 Hoi Wing Road
Tuen Mun NT
T +852 2459 8211
info@hk.oetiker.com

Hungary

Oetiker Hungaria KFT
Vasvári P. U. 11
H-9800 Vasvár
T +36 94 370 630
info@hu.oetiker.com

India

Oetiker India Private Ltd.
N-14, Additional Patalganga
Industrial Area
Village Chavane, Khalapur
Rasayani 410 220
Dist. Raigad, Maharastra
T +91 2192 250107-12
info@in.oetiker.com

Japan

Oetiker Japan Co. Ltd.
Kaneko Bldg. A
5-3-5 Nakamachi-dai, Tsuzuki-ku
Yokohama 224-0041, Kanagawa
T +81 45 949 3151
info@jp.oetiker.com

Mexico

Oetiker Servicios S de RL de CV
Ave. José María Pino Suárez 853 Nte.
Col. Centro, CP 64000
Monterrey, Nuevo León
T +52 81 8390 0237
info@mx.oetiker.com

Netherlands

Oetiker Benelux B. V.
Hertzstraat 38
NL-6716 BT Ede
T +31 318 63 71 71
info@nl.oetiker.com

Spain

Oetiker España, S. A.
Pol. Ind. Las Salinas
C/Puente, 18
E-11500 El Puerto
de Santa María (Cádiz)
T +34 956 86 04 40
info@es.oetiker.com

South Korea

Oetiker Far East Limited
Korea Liaison Office
Postal Zip Code 135-880
1401 LG Twintel 1-Cha 157-8
Samseong 1-dong
Gangnam-gu, Seoul
T +82 2 2191 6100
info@kr.oetiker.com

United Kingdom

Oetiker UK Limited
Foundry Close
GB-Horsham, Sussex RH13 5TX
T +44 1403 26 04 78
info@uk.oetiker.com

USA

Oetiker, Inc.
6317 Euclid Street
Marlette, Michigan 48453-0217
T +1 989 635 3621
800 959 0398 (toll-free)
info@us.oetiker.com

www.oetiker.com

