

# Oetiker Medical Grade Pneumatic Pincer ME



Recommended for Oetiker Clamps and Rings

## Benefits

- High process reliability
- Reliable assembly
- Customizable heads
- Easy handling
- Treated with Medical Grade lubricant to comply with medical and clean room standards
- Paint-free body to avoid particulate contamination



---

**High process reliability:** release mechanism designed to prevent misoperation

---

**Reliable assembly:** complete pincer system ensures efficient & uniform assembly

---

**Easy handling:** lightweight and ergonomic design for one-handed operation

---

**Broad applicability:** full range of pincer heads for compatibility to all standard clamps

---

**Customizable heads:** different pincer head designs according to application

---

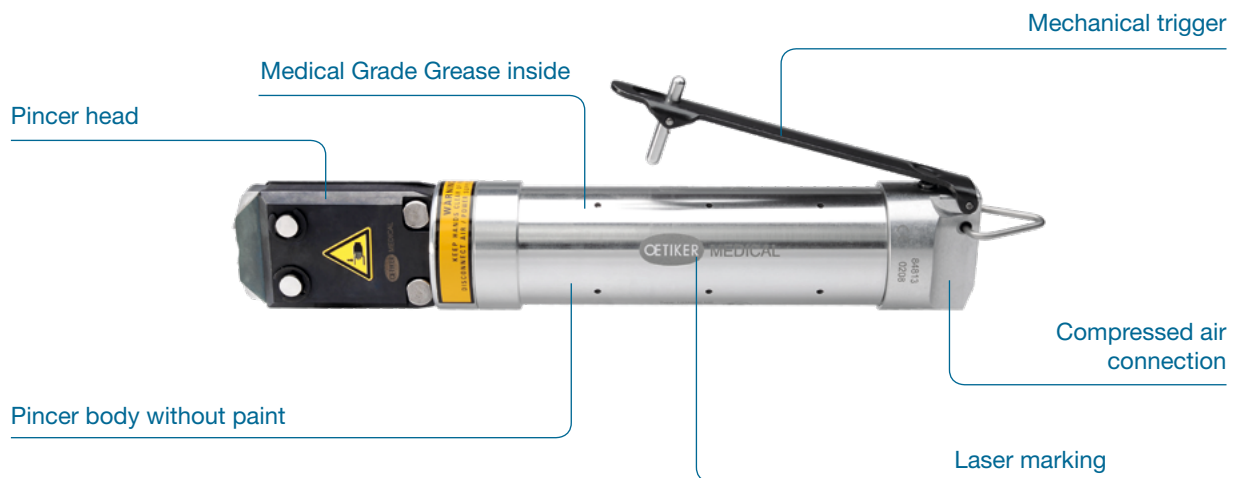
**Paint-free body:** to avoid particulate contamination

---

**Medical Grade lubricant:** to comply with medical and clean room standards

---

FEATURES



Oetiker Medical Grade ME

TECHNICAL DATA OVERVIEW

| Pincer type | Weight  |
|-------------|---------|
| HO 2000 ME  | 0.90 kg |
| HO 3000 ME  | 1.00 kg |
| HO 4000 ME  | 1.10 kg |
| HO 5000 ME  | 1.65 kg |
| HO 7000 ME  | 1.90 kg |

Working pressure: 5 to 6 bar.  
 The working pressure is in direct relation to the closing force.  
 The higher the inlet pressure, the higher the closing force.

Compressed air connection: Internal thread G ¼

PRODUCT DESCRIPTION

This high-quality, complete pincer system ensures the uniform assembly of Oetiker clamps. The selection of the correct pincer body and head is determined by the type of Oetiker clamp to be assembled, the optimum closing force and the air supply pressure that is available.

To obtain the optimum closing force, please refer to the technical information for the product being assembled and take into account the availability of special pincer heads.

MEDICAL STANDARD

The pincer body is paint-free to avoid any potential contamination of clean rooms. It is treated with a special Medical grade lubricant certified by USP 88 Class VI and ISO 10993-5 to comply with Medical Standards. To maintain traceability, the relevant information is laser marked directly onto the pincer body.

## SCOPE OF SUPPLY

### Oetiker Medical Grade Pneumatic Pincers ME

- Oetiker Medical Grade ME with pincer head
- Compressed air connection set (incl. filter/water separator)
- Operating instruction

### Optional

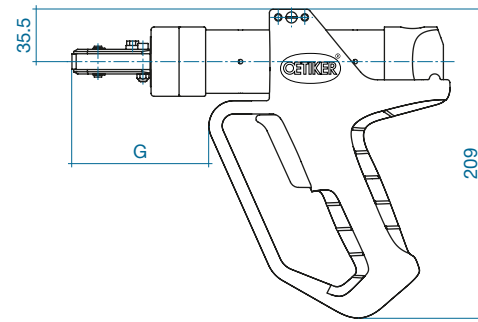
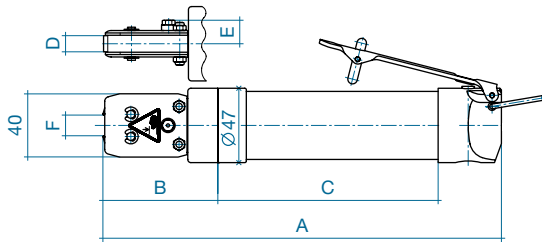
Pistol Grip Retrofit Kit  
for Oetiker Medical Grade Pneumatic Pincers  
HO 2000 / 3000 / 4000 / 5000 ME



TECHNICAL DATA

HO 2000 ME, HO 3000 ME, HO 4000 ME

Pincer complete with pistol grip



**Pincer heads**

|                     |                 |                 |                 |                 |                 |
|---------------------|-----------------|-----------------|-----------------|-----------------|-----------------|
| Jaw width D (mm)    | 5.5             | 7.5             | 7.5             | 10.2            | 10.2            |
| For ear width* (mm) | < / = 7.0       | 8.0             | 10.0            | 10.0            | 13.0            |
| Item No.            | <b>13901204</b> | <b>13901205</b> | <b>13901208</b> | <b>13901383</b> | <b>13901373</b> |

**Type of pincer**

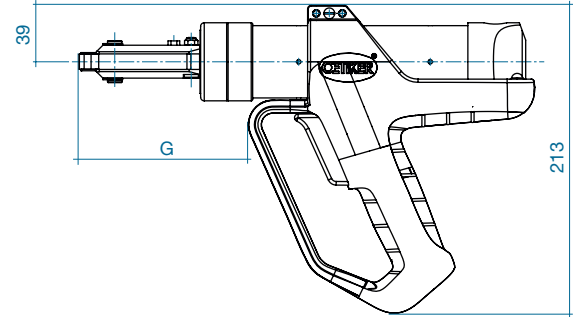
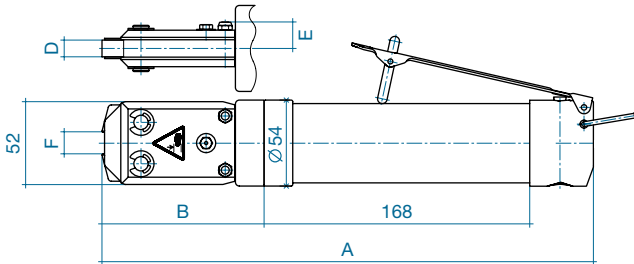
|                            |        |       |       |       |       |       |
|----------------------------|--------|-------|-------|-------|-------|-------|
| HO 2000 ME                 | A (mm) | 214.0 | 213.0 | 213.0 | 213.0 | -     |
|                            | B (mm) | 74.0  | 73.0  | 73.0  | 73.0  | -     |
|                            | C (mm) | 101.0 | 101.0 | 101.0 | 101.0 | -     |
|                            | D (mm) | 5.5   | 7.5   | 7.5   | 10.2  | -     |
|                            | E (mm) | 12.3  | 13.3  | 13.3  | 14.9  | -     |
|                            | F (mm) | 8.6   | 11.6  | 13.2  | 13.2  | -     |
| Pistol Grip for HO 2000 ME | G (mm) | 55.0  | 54.0  | 54.0  | 54.0  | -     |
| HO 3000 ME                 | A (mm) | -     | 252.0 | 252.0 | 252.0 | 257.0 |
|                            | B (mm) | -     | 73.0  | 73.0  | 73.0  | 78.0  |
|                            | C (mm) | -     | 140.0 | 140.0 | 140.0 | 140.0 |
|                            | D (mm) | -     | 7.5   | 7.5   | 10.2  | 10.2  |
|                            | E (mm) | -     | 13.3  | 13.3  | 14.9  | 14.9  |
|                            | F (mm) | -     | 11.6  | 13.2  | 13.2  | 16.2  |
| Pistol Grip for HO 3000 ME | G (mm) | -     | 93.0  | 93.0  | 93.0  | 98.0  |
| HO 4000 ME                 | A (mm) | -     | -     | 291.0 | 291.0 | 296.0 |
|                            | B (mm) | -     | -     | 73.0  | 73.0  | 78.0  |
|                            | C (mm) | -     | -     | 179.0 | 179.0 | 179.0 |
|                            | D (mm) | -     | -     | 7.5   | 10.2  | 10.2  |
|                            | E (mm) | -     | -     | 13.3  | 14.9  | 14.9  |
|                            | F (mm) | -     | -     | 13.2  | 13.2  | 16.2  |
| Pistol Grip for HO 4000 ME | G (mm) | -     | -     | -     | 132.0 | 137.0 |

\*measured inside

TECHNICAL DATA

HO 5000 ME

Pincer complete with pistol grip



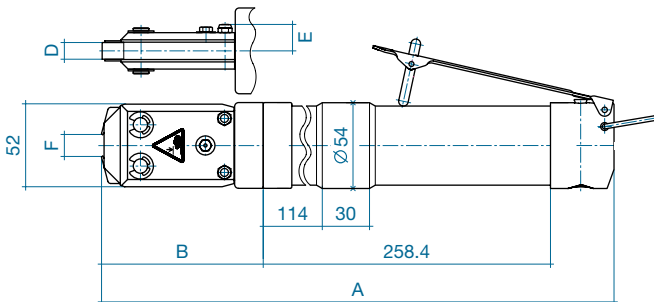
Pincer heads

|                     |          |          |
|---------------------|----------|----------|
| Jaw width D (mm)    | 10.5     | 10.5     |
| For ear width* (mm) | 10.0     | 13.0     |
| Item No.            | 13901209 | 13901203 |

Type of pincer

|                            |        |       |       |
|----------------------------|--------|-------|-------|
| HO 5000 ME                 | A (mm) | 309.0 | 314.0 |
|                            | B (mm) | 102.0 | 107.0 |
|                            | E (mm) | 16.6  | 16.6  |
|                            | F (mm) | 13.7  | 16.6  |
| Pistol Grip for HO 5000 ME | G (mm) | 117   | 122   |

HO 7000 ME



Pincer heads

|                     |          |          |
|---------------------|----------|----------|
| Jaw width D (mm)    | 10.5     | 10.5     |
| For ear width* (mm) | 10.0     | 13.0     |
| Item No.            | 13901209 | 13901203 |

Type of pincer

|            |        |       |       |
|------------|--------|-------|-------|
| HO 7000 ME | A (mm) | 400.0 | 405.0 |
|            | B (mm) | 102.0 | 107.0 |
|            | E (mm) | 16.6  | 16.6  |
|            | F (mm) | 13.7  | 16.6  |

\*measured inside