

# Medical Grade Electro-Pneumatic Controller EPC 01



Recommended for the Installation of Oetiker Ear- & Low Profile Clamps in a Medical Environment

## Benefits

- Accurate and precise closures
- Highest process and quality standards
- Flexibility for customer specific adaptations
- Verified and traceable connections
- Easy and safe integration into (automated) processes
- Easy handling
- Stable processes with low maintenance
- Treated with medical grade lubricant to comply with medical and clean room standards
- Paint-free body to avoid particulate contamination



---

**Digital Micro-controller architecture:** accurate, precise and flexible

---

**Internal data log:** verified and traceable

---

**Intuitive software & user management:** easy integration and handling

---

**Robust tool design & materials:** stable processes and low maintenance

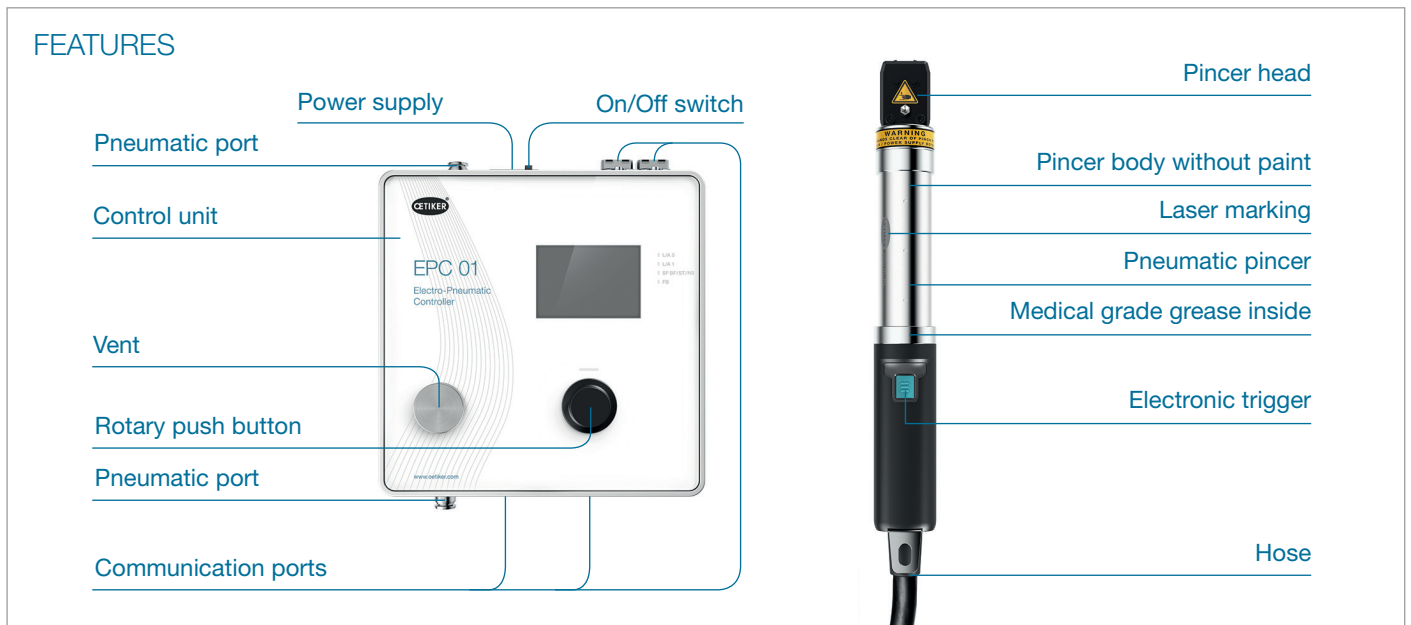
---

**Paint-free body:** to avoid particulate contamination

---

**Medical grade lubricant:** to comply with medical and clean room standards

---



## Medical Grade Electro-Pneumatic Controller EPC 01

### TECHNICAL DATA OVERVIEW

#### Control unit

**Power supply:** 24 V DC 100-240 V AC / 50-60 Hz

**Compressed air supply:** 4-10 bar

**External dimensions without ports:** 200 x 200 x 85 mm

**Weight:** 3,2 kg

#### Communication ports:

3.5 mm jack plug (female)

9-pin SUB-MIN-D (female)

25-pin SUB-MIN-D (male)

9-pin SUB-MIN-D (male)

USB interface type B

Ethernet

EtherCAT

EtherNet/IP

Profinet

#### Medical Standard

The pincer body is paint-free to avoid any potential contamination of clean rooms. It is treated with a special Medical grade lubricant certified by USP 88 Class VI and ISO 10993-5 to comply with Medical Standards. To maintain traceability, the relevant information is laser marked directly onto the pincer body.

### PRODUCT DESCRIPTION

The EPC 01 is a high quality pincer system developed by Oetiker. It is a redevelopment of the previous version ELK 02 which contains various improvements as well as new features. The complete pincer system EPC 01 ensures the uniform and reliable assembly of Oetiker clamps. It's a reliable production tool that will maximize your uptime, provide verified and traceable connection installation, and ensure the highest quality standards through accurate and precise process control.

Combines Electro-Pneumatic Controls and Trigger Units for today's advanced production environments. From advanced engineering test labs to fully automated high-volume production cells, Oetiker's EPC 01 installation tool will provide the highest levels of quality and durability. For optimal adaption to any requirement a wide range of pincer body sizes and pincer heads are available.

The system and the software can be operated in different languages. The technical documents as well as the software can be found on [www.oetiker.com](http://www.oetiker.com).

Oetiker offers a tool subscription service and license-based setup options for the EPC 01 system to keep investment to a minimum.

**For more information please contact Oetiker sales.**

## SCOPE OF SUPPLY

### EPC 01 system

- Control unit
- PC Software EPC 01
- Compressed air connection set (incl. filter/water separator)

### Cables

- Connection cable for all interfaces
- Power cable with country-specific plug

### Hose length

Standard hose/cable length of the Pincer unit is 3 m.

### Alternative hose/cable lengths

0.25 m / 6 m / 9 m / 12 m

### Pincer Heads

The pincer head can be exchanged to suit individual assembly situations. Various pincer heads fit different clamp types like ear clamps and low profile clamps.

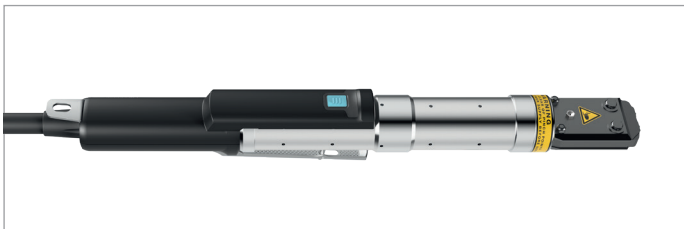
### Pincer types

Oetiker offers two different types of pneumatic pincer bodies, which differ in the positioning of the start button and safety lever and ensure better handling when closing clamps.

The electronic version (EL) is equipped with the standard trigger unit positioned at the end of the pincer body



The electronic version with extended trigger unit (ELT) locates start button and safety lever to the center of the pincer body.



## HARDWARE

Oetiker offers eight versions of the EPC 01 which differ in power supply and interface.

There are 4 versions each for AC voltage and DC voltage.



Without industrial network



Profinet



Ethernet/IP



EtherCat

### AC power versions

EPC 01 Version	Item No.
Without industrial network	32000000
Profinet	32000001
Ethernet/IP	32000002
EtherCat	32000003

### DC power versions

EPC 01 Version	Item No.
Without industrial network	32000004
Profinet	32000005
Ethernet/IP	32000006
EtherCat	32000007

## SOFTWARE

The EPC 01 software is customizable to the individual needs of the customer which is provided through a license key generated by Oetiker. This allows users to save costs by not paying for features which are not needed for production.

The software can be classified into 5 categories and is available as basic or industrial network version.

### Ear Clamp Basic / Ear Clamp Basic Industrial Network

Reduced versions which are intended exclusively for the closing of ear clamps.

### Low Profile Basic / Low Profile Basic Industrial Network

Reduced versions which are intended exclusively for the closing of low profile clamps.

### Professional / Professional Industrial Network

Contains all features and functions of the EPC 01. It can be used to close ear clamps and low profile clamps.

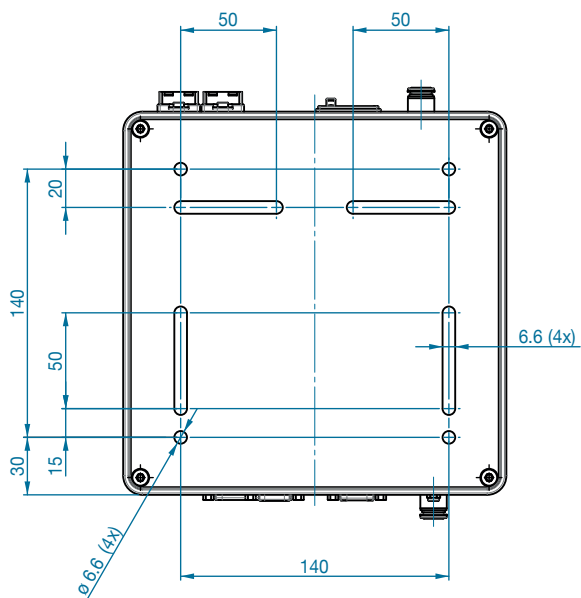
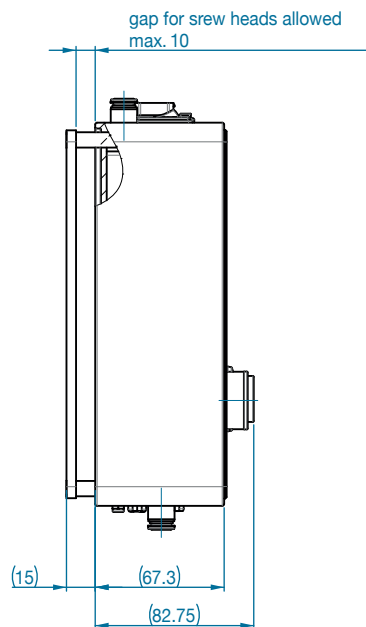
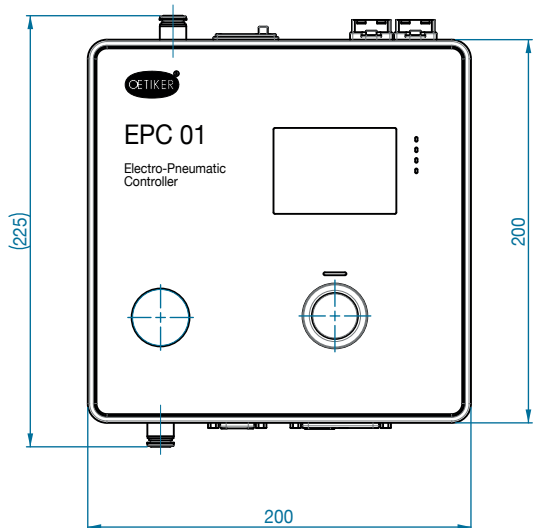
### Semi- and Fully Automatic Mode/ Semi- and Fully Automatic Mode Industrial Network

Limited for operation via an external control but allows the operation without pressing the safety lever.

### Trial

Trial is a time-limited test version which includes all functions and features of the professional version for 30 days. After expiration, it is necessary to enter a license key generated by Oetiker to continue using the EPC 01. The scope of functions depends on the purchased license key.

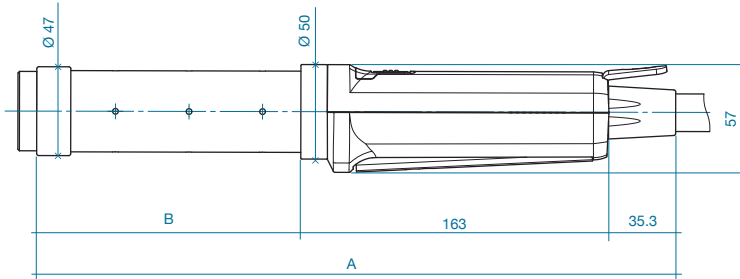
CONTROL UNIT



All dimensions are in millimeters (mm) unless otherwise noted.

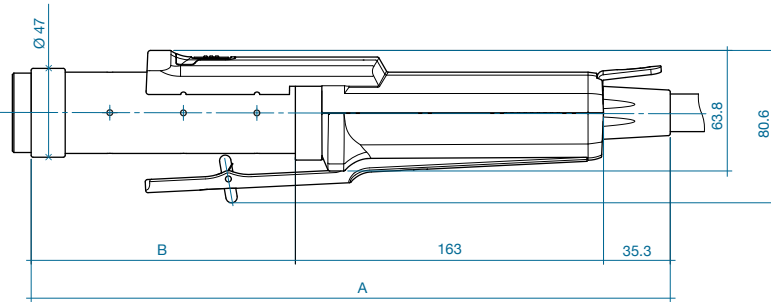
PINCER TYPES

HO 2000, 3000, 4000\*



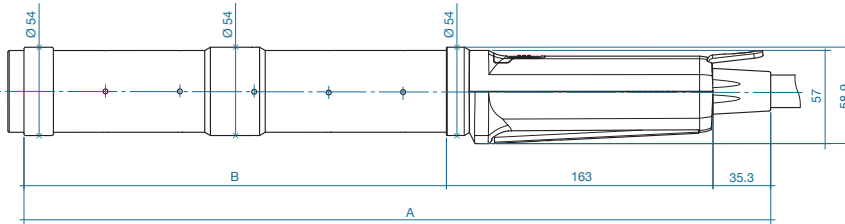
HO Pincer Type	A (mm)	B (mm)
2000	299	101
3000	338	140
4000	377	179

EL



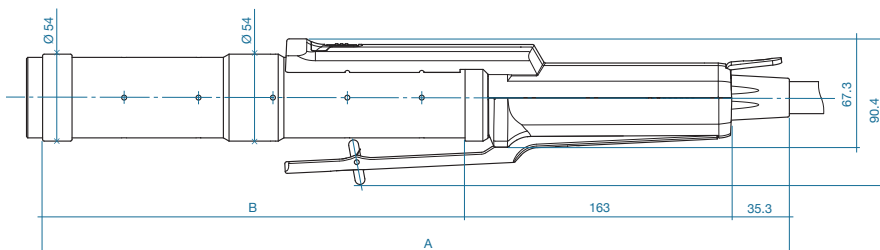
ELT

HO 5000\*, 7000\*



HO Pincer Type	A (mm)	B (mm)
5000	366	168
7000	457	259

EL



ELT

\*Only available upon request.

## PINCER HEADS

Oetiker offers a wide range of different pincer heads to provide the right solution for your application. The following table provides information about our standard heads. The table does not take into account special clamp dimensions and special pincer heads.

**For more information please contact Oetiker sales.**



Pincer Heads		Suitable for HO				
Jaw width (mm)	For ear width (mm)	2000	3000	4000*	5000*	7000*
5.5	≤7	x				
	8	x*				
7.5	8	x	x			
	10	x	x			
	13		x*	x*		
10.2	8	x*	x*	x*		
	10	x*	x*	x*		
	13		x*	x*		
10.5	10				x*	x*
	13				x*	x*
14.5	13					x*

\*Only available upon request.