

DualHook Adjustable Ear Clamps 259

Recommended for CVJ Aftermarket including TPE boot

- Benefits**
- High strength suitable for TPE and rubber boot
 - User-friendly, ergonomic handling
 - High sealing performance
 - Reduced inventory level due to less part numbers



Optimized interlock design: three dual hooks provide extra high force

Waved band edge with dimples: enhances band strength and avoids risk of breakage

Tongue-in-groove design: provides StepLess[®] feature for the whole adjustable range and a smooth sliding into the recess

Burr-free strip edges: reduced risk of damage to parts being clamped

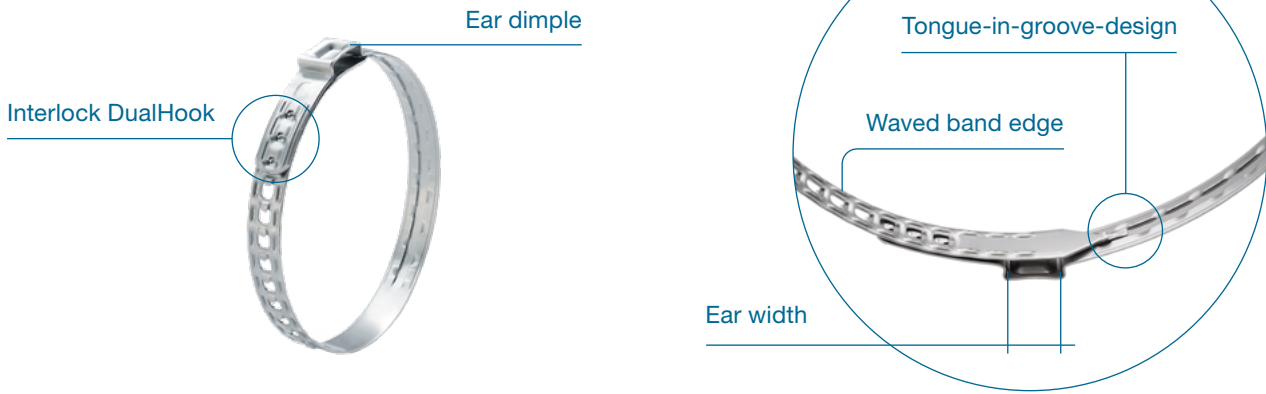


DualHook



StepLess[®]

FEATURES



DualHook Adjustable Ear Clamps 259

TECHNICAL DATA OVERVIEW

Material

Stainless steel, material no. 1.4301/UNS S30400

Corrosion resistance according to DIN EN ISO 9227

> 1000 h

Series

Size range	Width x thickness	Ear width
24.5 – 120.2 mm	9.0 x 0.6 mm	10.7 mm

PRODUCT DESCRIPTION

Oetiker DualHook Adjustable Ear Clamps are an innovative connecting solution specially designed to use with applications where high performance and universal features are demanded. The user-friendly and ergonomic handling help to make operating processes more efficient.

Clamp design

The optimized interlock design provides an extra high force. Three DualHook structures interlock the lower and upper band. Dimples further enhance the strength of the band. Waves at both band edges help avoid leakage and the risk of breakage. The tip of the tongue is specially designed to provide the StepLess® feature for the whole adjustable range.

PRODUCT DESCRIPTION

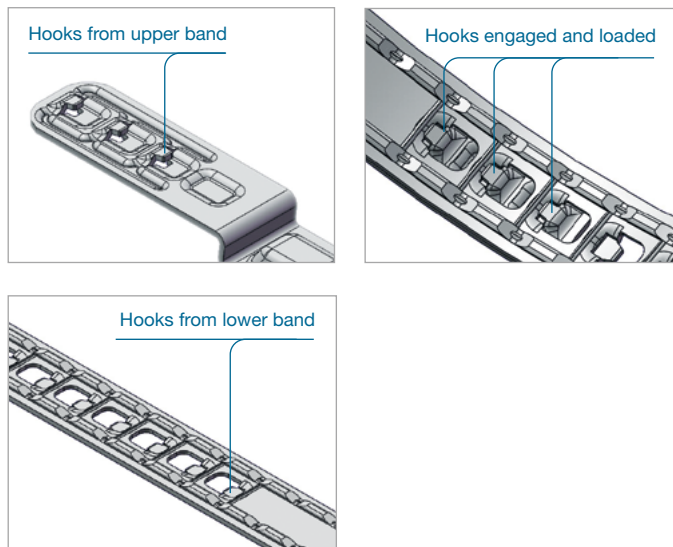
Adjustable with less part numbers

The Oetiker DualHook Adjustable Ear Clamps cover a wide range of diameters while inventory stock and part numbers are reduced. Eight part numbers cover the whole range, only two part numbers cover the large end.



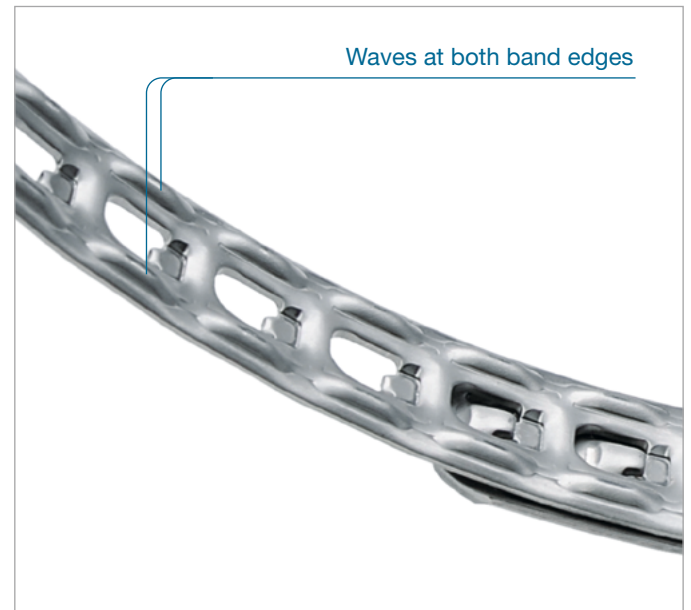
Interlock by DualHook technology

The new Oetiker DualHook technology interlocks hooks and windows from the upper and lower band with each other. Three DualHook structures provide an extra high closing force while dimples on both sides of each window further enhance the strength of the band.



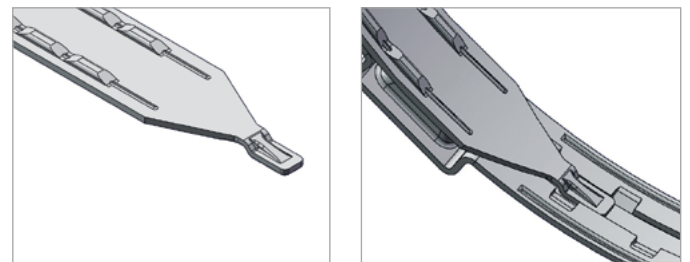
Waved band edge with dimples

For easy handling waves at both band edges provide equal stiffness along the band. This feature further enhances the band strength and avoids the risk of breakage as well as twisting and turning of the clamp on the band.



Tongue-in-groove design

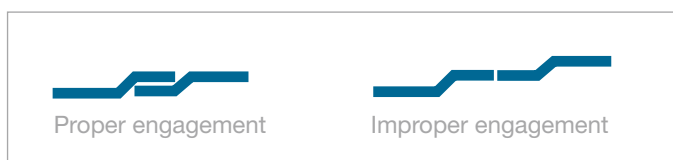
The clamp has a special recess to accommodate the tongue for the whole range. The tip of the tongue is specially designed to allow for a smooth sliding into the recess while providing the StepLess® feature.



ASSEMBLY

Closing of clamp

To engage the clamp into the right position, the operator needs to push the band as far as possible so the hook will be engaged with the window of the minimum possible diameter. All three hooks on the upper and lower band must fully interlock. When properly closed, the tip of the hook from the lower band is visible from the outside.



Force-priority closure

The ear of the clamp should be closed at a uniform rate not exceeding the recommended maximum closing force. This will ensure that the clamp tension remains constant without overloading individual components of the assembly being joined, and of the clamps. Oetiker calls this assembly method "force priority". Force priority ensures that tolerance compensating features of the clamp remain functional for every assembly. This ensures the resulting radial force remains approximately the same for every assembly, independent of any component's dimensional fluctuation.

ASSEMBLY TOOLS

Suitable assembly tools for manufacturers and remanufacturers are the Oetiker Pneumatic Pincers HO ME, HO EL/ELT. Auto repair shops are recommended to use the Oetiker Clamping Tool with Torque Wrench, offering Force-priority closure.

The recommended maximum closing force is 3800 N.

DISASSEMBLY

For disassembly the Oetiker HCC 2000 is recommended.

Band dim.	Size (mm)	Recommended Closing Force (N)	Manual	Pneumatic	Cordless	Electronically controlled
9.0 x 0.6	24.5 – 120.2	3800	Clamping Tool and Torque Wrench	HO 4000 – 7000 ME	CP10/CP20	HO 4000 – 7000 EL/ELT

All Oetiker pincer heads for 167/193 clamps with an ear width of 10.0 mm or above can be used for 259.

PRODUCT DATA

Clamp sizes	1	2	3	4	5	6	7	8
Nominal diam. range (mm)	24.5	25.9 – 27.6	29.0 – 30.7	32.1 – 37.3	38.7 – 47.3	48.7 – 65.9	67.3 – 93.1	94.5 – 120.2
Part no.	25900000	25900001	25900002	25900003	25900004	25900005	25900006	25900007
Count pos.	1	2	2	4	6	11	16	16
Delivery cond. (mm)	24.5	25.9	29.0	33.9	43.9	65.9	93.1	120.2
Hook pos. 1	24.5	27.6	30.7	37.3	47.3	65.9	93.1	120.2
Hook pos. 2		25.9	29.0	35.6	45.6	64.2	91.3	118.5
Hook pos. 3				33.9	43.9	62.4	89.6	116.8
Hook pos. 4				32.1	42.1	60.7	87.9	115.1
Hook pos. 5					40.4	59.0	86.2	113.4
Hook pos. 6					38.7	57.3	84.5	111.6
Hook pos. 7						55.6	82.7	109.9
Hook pos. 8						53.8	81.0	108.2
Hook pos. 9						52.1	79.3	106.5
Hook pos. 10						50.4	77.6	104.8
Hook pos. 11						48.7	75.9	103.1
Hook pos. 12							74.2	101.3
Hook pos. 13							72.4	99.6
Hook pos. 14							70.7	97.9
Hook pos. 15							69.0	96.2
Hook pos. 16							67.3	94.5