

Membrane Seal

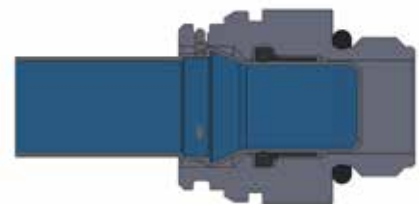
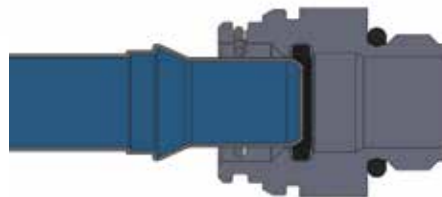
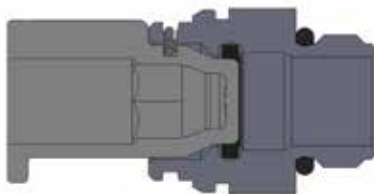
201 & 210 Quick Connectors



Recommended for Transmission Oil, Engine Oil, Turbocharger Cooling & Oil Supply, and Battery Cooling Applications

Benefits

- Keeps factory floors clean & safe
- Low insertion force
- Retains fluid in assembly
- Improved cleanliness
- Tool free installation
- Easily serviceable
- Space and weight savings



ADVANTAGES

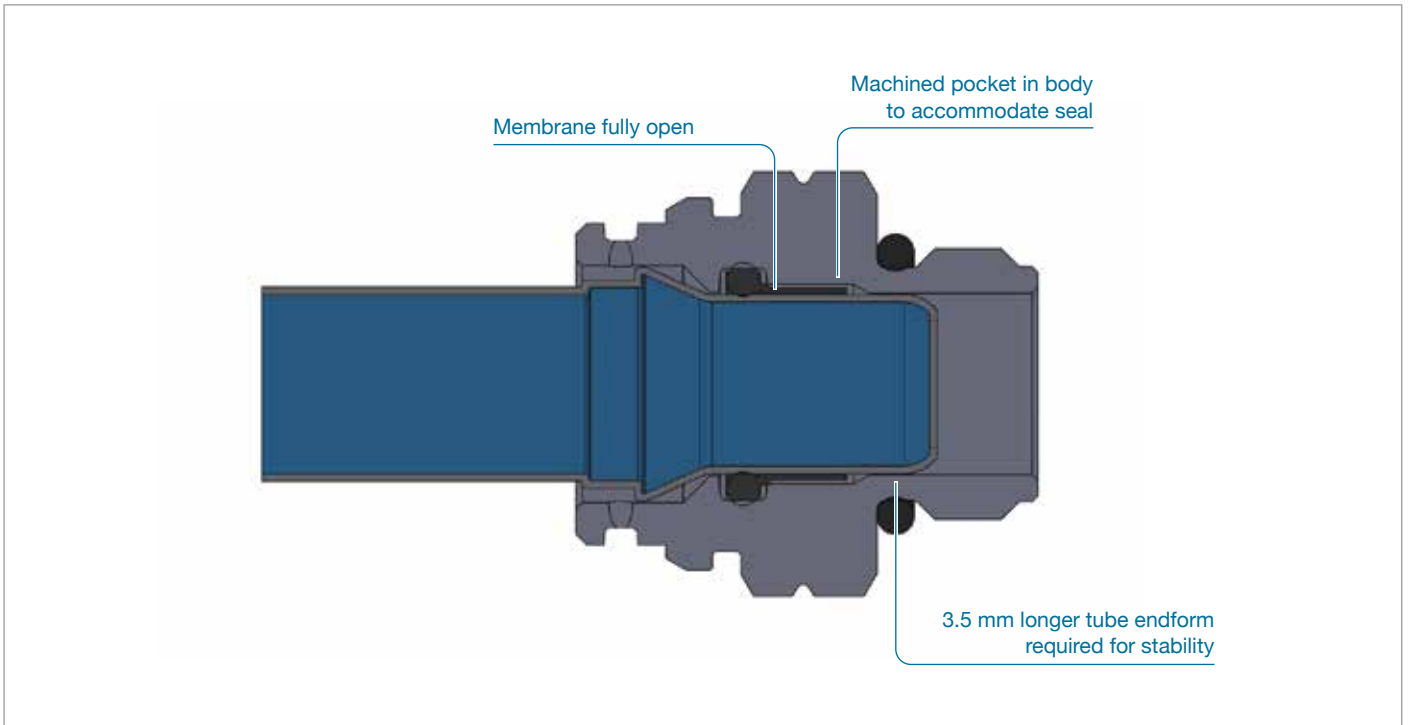
Assembler

- Receives fully filled transmission, turbocharger, battery pack, or other cooling module, eliminating expensive assembly line filling equipment
- Keeps manufacturing floor clean and safe eliminating potentially slippery surfaces
- No flow restriction
- Low installation and insertion force

Tier

- With Membrane Seal Quick Connector installed, end of line testing can occur with no need to drain and clean assembly module before shipping to OEM
- Flexible Inlet/Outlet port locations
- Add value by filling module prior to shipping which reduces OEM's capital equipment and assembly line real estate

FEATURES



PRODUCT DESCRIPTION

The Membrane Seal Quick Connector has all the benefits of the Oetiker Quick Connector while completely sealing off fluid from leaking out of the module until the tube is fully inserted. Once tube is fully inserted the membrane seal is positioned into a "pocket" which allows for uninterrupted flow and zero pressure drop. Special tube geometry is needed as the traditional tube end form will not work with the Membrane Seal Quick Connector.

PERFORMANCE

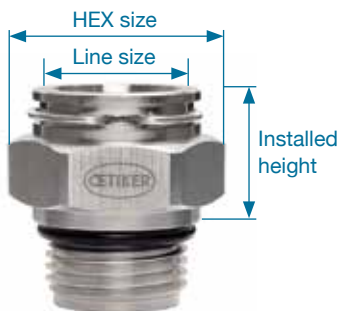
The Oetiker Membrane Seal Quick Connector enables passenger vehicle suppliers and OEM's to reliably ship, transfer, or test their fluid filled modules without fluid loss so that the destination customer does not need to drain and refill the module. This provides a safe and clean environment, no longer requiring a refilling process or equipment, saving time and cost at the tier and/or OEM.

Membrane quick connector



TECHNICAL DATA

Quick Connector dimensions



Line size (in)	Hex size (mm)	Installed height with tube installed
1/2" (12 mm)	25.4	14.4
5/8" (16 mm)	28	20
3/8" (9.5 mm)	20	15.88

Notes:

- Above dimensions are expressed nominally in metric units unless specified otherwise
- Also available in 3/8s
- Other seal materials under development
- This data is intended for reference only
- Rights to make technical changes are reserved