

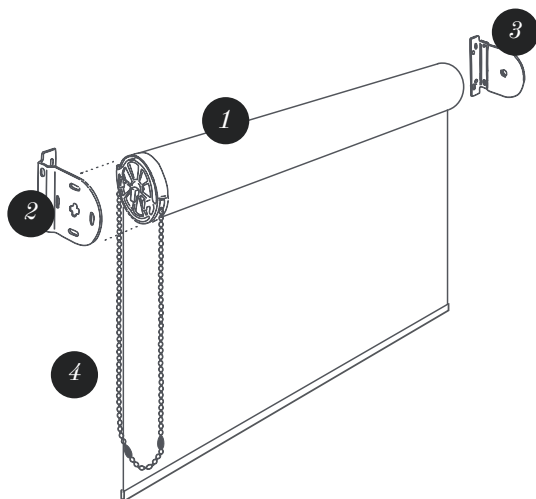
ROLLER BLIND FITTING

Instructions

GRAHAM & BROWN
EST. 1946

CLASSIC HEADRAIL - CHAIN CONTROL

Parts Identified



- 1 Roller Tube
- 2 Control End Bracket
- 3 Plunger End Bracket
- 4 Control Chain

Additional Parts

- Screws*
- Brackets

Tools Required

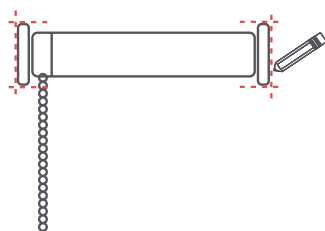
- Pencil
- Screwdriver
- Drill
- Tape Measure

Fitting Instructions

1. MEASURE

Connect brackets to roller tube.

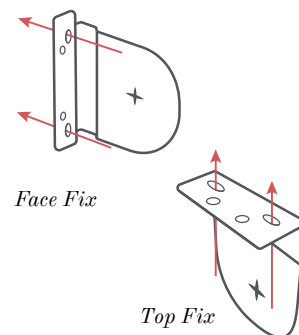
Use a pencil to mark the outside of the brackets.



2. FIX BRACKETS

Position just the brackets and mark the screw holes.

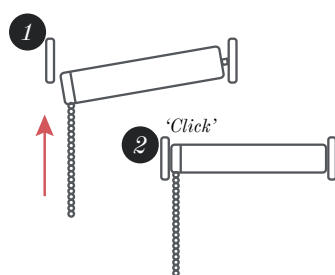
Drill holes and fix brackets.



3. PLUNGE AND 'CLICK'

Push the plunger end into the bracket until it suppresses.

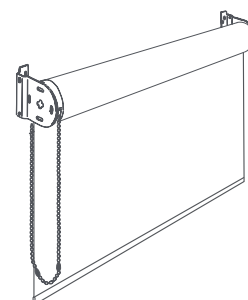
Gently guide the control end into the bracket until it clicks.



4. OPERATING YOUR BLIND

Pull the chain to raise and lower your blind.

Do not continue pulling when the blind is fully retracted as you will damage it.

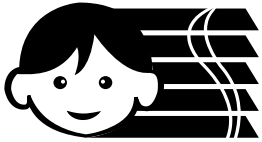


Child Safety

Tensioning Device

Tensioning device must be attached at 1.5m above the ground.

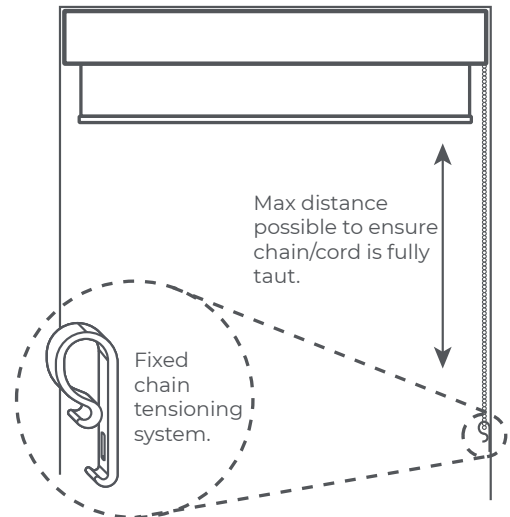
Ensure the chain is fully taut.



Keep all cords and chains out of reach of children.

Loose cords or chains should never be tied together.

Child Safety

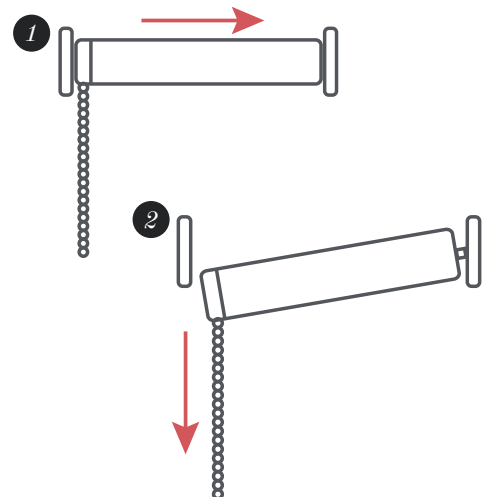


Removing the Blind

Unclip from Brackets

Push towards the plunger end.

Gently slide blind out of the brackets.



Cleaning Instructions

To keep your blind looking its best for longer use the upholstery brush on your vacuum cleaner.

*If fitting into a wall or lintel you will require rawl plugs.

GRAHAM & BROWN
EST. 1946

grahambrown.com