

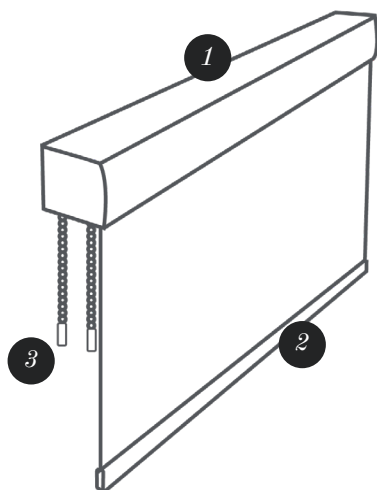
# ROLLER SHADE INSTALLATION

## Guide

**GRAHAM & BROWN**  
EST. 1946

### CASSETTE HEADRAIL - TWIN PULL CONTROL

#### Parts Identified



1 Cassette

3 Chain

2 Bottom Bar


#### Additional Parts

 Screws\*

 Brackets

#### Tools Required

 Pencil

 Drill

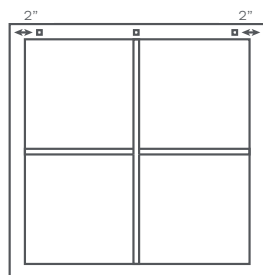
 Screwdriver

 Tape Measure

#### Fitting Instructions

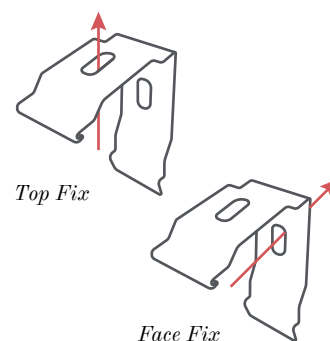
##### 1. MEASURE

The brackets need to be positioned 2" in from each side of the shade. Using your tape measure, mark these points with a pencil. Evenly space additional brackets between the two end brackets.



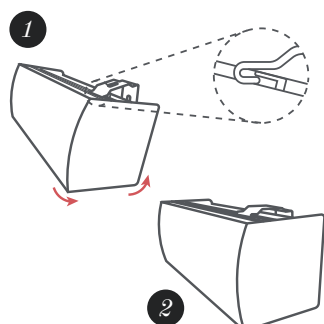
##### 2. FIX BRACKETS

Choose whether you need to fit your brackets via top fix or face fix. Hold the brackets up to the pencil marks made in Step 1. Mark the relevant hole with a pencil. Drill holes and use suitable screws to fix the brackets. With a spirit level, check the brackets are level.



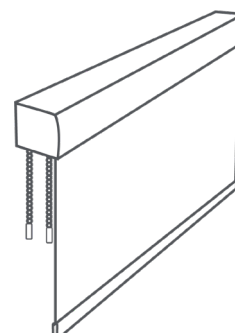
##### 3. HOOK, TILT, CLICK

When the brackets are fitted, hook the ridge on the top of the cassette into the front of the brackets then push and tilt the cassette back until it clicks into the back part of the bracket.



##### 4. OPERATING YOUR SHADE

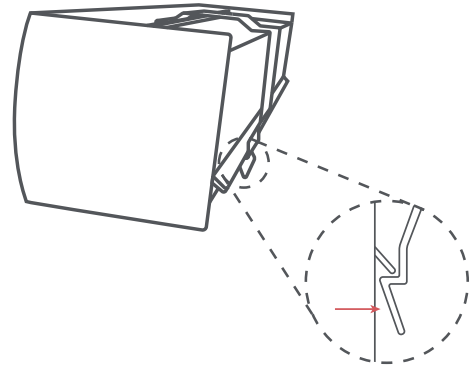
Gently pull down on the back chain to lower your shade, release at the point you want it to stop. Pull down on the front chain to raise your shade.



## *Removing the Shade*

### **Unclip from Brackets**

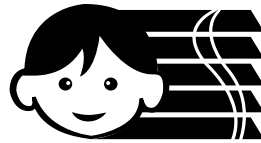
Press the release tab on all brackets. Tilt cassette backwards and ease out of brackets.



## *Cleaning Guide*

Use a dry lint free cloth to wipe over the fabric of the shade.

\*Before you start fitting your shade make sure the screws are suitable for the surface you are fitting into. Some surfaces will require wall plugs and different screws to the ones we provide.



### **Child Safety**

**Keep all cords and chains out of reach of children.**

**Loose cords or chains should never be tied together.**

**GRAHAM & BROWN**  
EST. 1946

*grahambrown.com*