

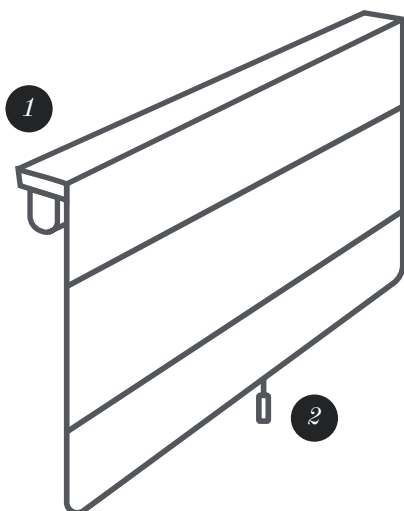
ROMAN SHADE INSTALLATION

Guide

GRAHAM & BROWN
EST. 1946

CLASSIC HEADRAIL - SPRING CONTROL

Parts Identified



1 Headrail

2 Pull Control


Additional Parts

 Screws*

 Brackets

Tools Required

 Pencil

 Drill

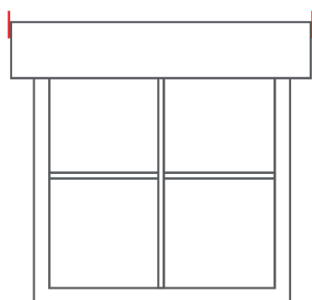
 Screwdriver

 Tape Measure

Fitting Instructions

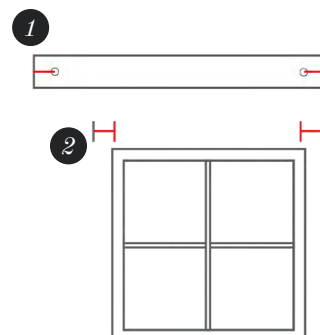
1. MEASURE

Hold your shade to the window where you would like your shade to be positioned. Mark the outside edges of the headrail on your wall or underside of the recess.



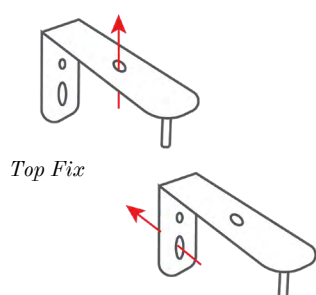
2. MEASURE SPACING

Measure the distance of the holes in the top of the headrail from the edges of the shade. Mark these distances on the wall from your marks in Step 1. This will be where your brackets will need to be fitted.



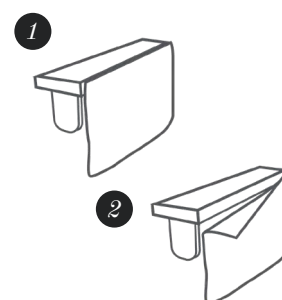
3. FIT BRACKETS

Choose whether you need to fit your brackets via top fix or face fix. Hold the brackets up to the pencil marks made in Step 1. Mark the relevant hole with a pencil. Drill holes and use suitable screws to fix the brackets. With a spirit level, check the brackets are level.



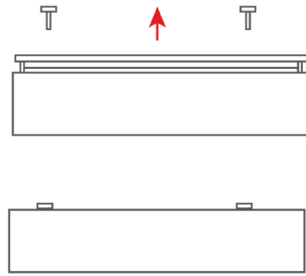
4. FIT YOUR SHADE

Detach the velcro holding the shade to the headrail (this is so you can access the screw threads)



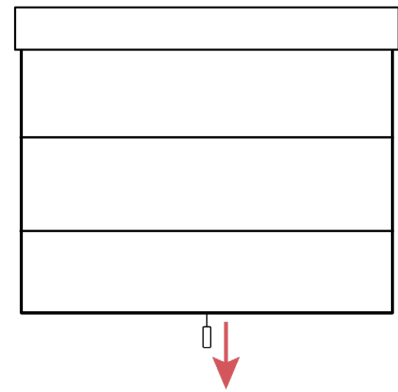
5. FIT YOUR SHADE

Slot the threads on the brackets through the holes in the top of headrail and screw on the wing nuts to hold in place. Reattach the velcro afterwards.



Operating your Shade

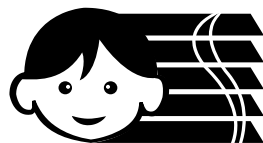
Gently pull the cord down. To lift shade downwards and release the pressure whilst holding the cord. You can stop the shade at a desired height by pulling slightly downwards.



Cleaning Guide

Use a dry lint free cloth to wipe over the fabric of the shade. No cords or chains make this system completely child safe. The pull cord will never be longer than 8".

*Before you start fitting your shade make sure the screws are suitable for the surface you are fitting into. Some surfaces will require wall plugs and different screws to the ones we provide.



Child Safety

Keep all cords and chains out of reach of children.

Loose cords or chains should never be tied together.

GRAHAM & BROWN
EST. 1946

grahambrown.com