

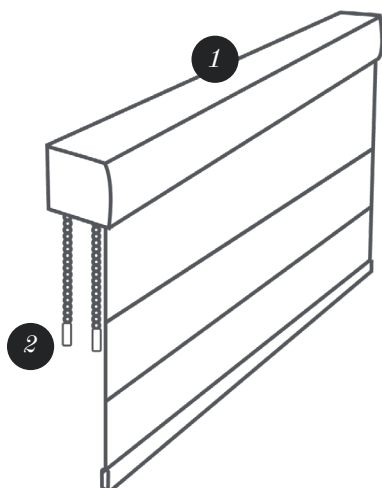
ROMAN SHADE INSTALLATION

Guide

GRAHAM & BROWN
EST. 1946

CASSETTE HEADRAIL - TWIN PULL CONTROL

Parts Identified



- 1 Cassette
- 2 Control Chain

Additional Parts

- Screws*
- Brackets

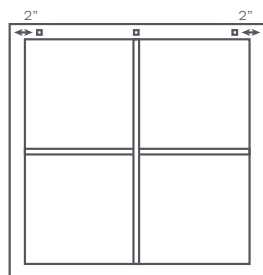
Tools Required

- Pencil
- Screwdriver
- Drill
- Tape Measure

Fitting Instructions

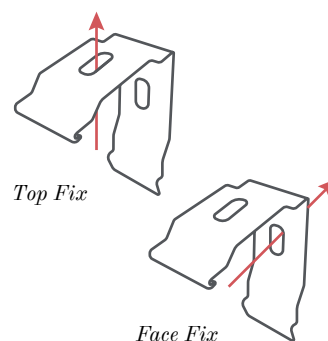
1. MEASURE

The brackets need to be positioned 2" in from each side of the shade. Using your tape measure, mark these points with a pencil. Evenly space additional brackets between the two end brackets.



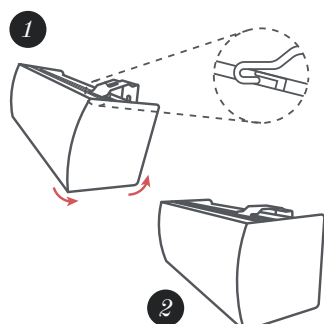
2. FIX BRACKETS

Choose whether you need to fit your brackets via top fix or face fix. Hold the brackets up to the pencil marks made in Step 1. Mark the relevant hole with a pencil. Drill holes and use suitable screws to fix the brackets. With a spirit level, check the brackets are level.



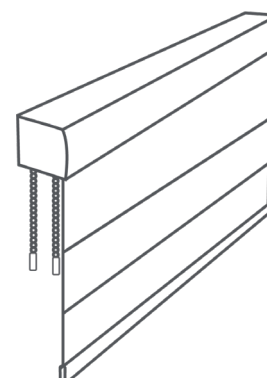
3. HOOK, TILT, CLICK

When the brackets are fitted, hook the ridge on the top of the cassette into the front of the brackets then push and tilt the cassette back until it clicks into the back part of the bracket.



4. OPERATING YOUR BLIND

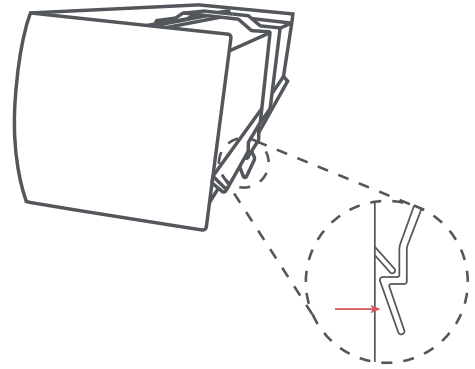
Gently pull the cord down. To lift shade downwards and release the pressure whilst holding the cord. You can stop the shade at a desired height by pulling slightly downwards.



Removing the Shade

Unclip from Brackets

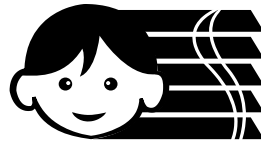
Press the release tab on all brackets. Tilt cassette backwards and ease out of brackets.



Cleaning Guide

Use a dry lint free cloth to wipe over the fabric of the shade.

*Before you start fitting your shade make sure the screws are suitable for the surface you are fitting into. Some surfaces will require wall plugs and different screws to the ones we provide.



Child Safety

Keep all cords and chains out of reach of children.

Loose cords or chains should never be tied together.

GRAHAM & BROWN
EST. 1946

grahambrown.com