

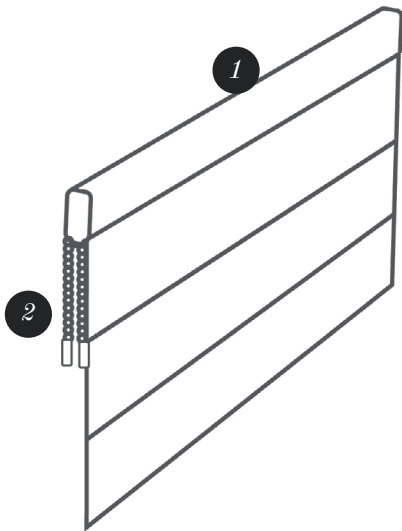
ROMAN SHADE INSTALLATION

Guide

GRAHAM & BROWN
EST. 1946



CLASSIC HEADRAIL - TWIN PULL CONTROL

Parts Identified



- 1 Headrail
- 2 Twin Pull Chains

Additional Parts

-  Screws*
-  Brackets

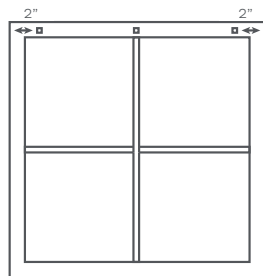
Tools Required

-  Pencil
-  Screwdriver
-  Drill
-  Tape Measure

Fitting Instructions

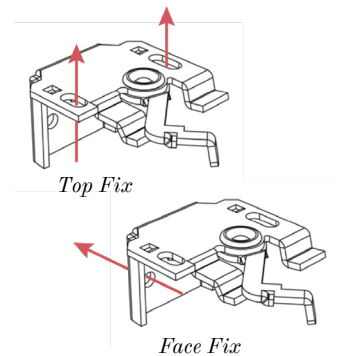
1. MEASURE

The brackets need to be positioned 2" in from each side of the shade. Using your tape measure, mark these points with a pencil. Evenly space additional brackets between the two end brackets.



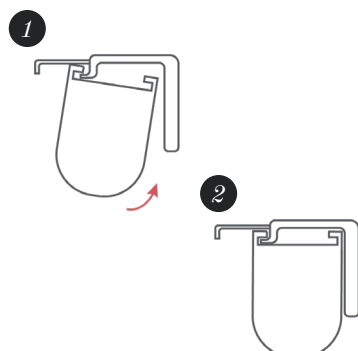
2. FIX BRACKETS

Choose whether you need to fit your brackets via top fix or face fix. Hold the brackets up to the pencil marks made in Step 1. Mark the relevant hole with a pencil. Drill holes and use suitable screws to fix the brackets. With a spirit level, check the brackets are level.



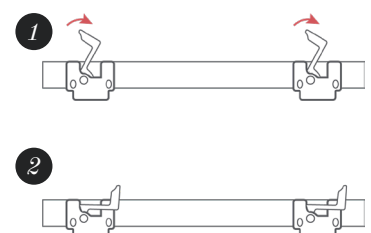
3. HOOK AND TILT

When the brackets are fitted and with the levers open, hook the ridge on the top of the headrail over the front of the brackets then gently tilt back into place.



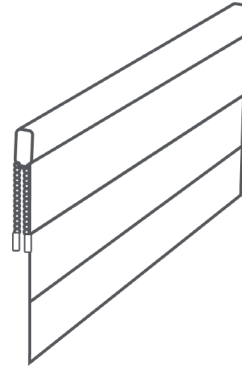
4. LEVER IN PLACE

Gently push the levers on all the brackets until they lock in place. This will secure your shade in place.



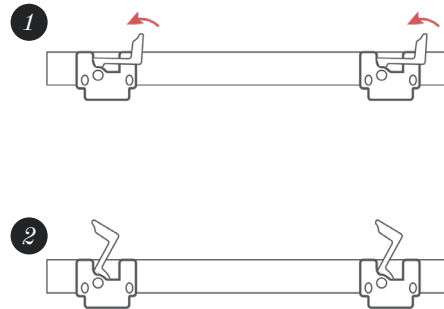
Operating your Shade

Gently pull down on the back chain to lower your shade, release at the point you want it to stop. Pull down on the front chain to raise your shade.



Removing the Shade

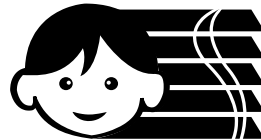
With the shade fully pulled up and a good hold of the shade, pull open the levers on the brackets and slowly ease the headrail off the brackets.



Cleaning Guide

Use a dry lint free cloth to wipe over the fabric of the shade. No looped chain makes this system child safe.

*Before you start fitting your blind make sure the screws are suitable for the surface you are fitting into. Some surfaces will require wall plugs and different screws to the ones we provide.



Child Safety

Keep all cords and chains out of reach of children.

Loose cords or chains should never be tied together.

GRAHAM & BROWN
EST. 1946

grahambrown.com