

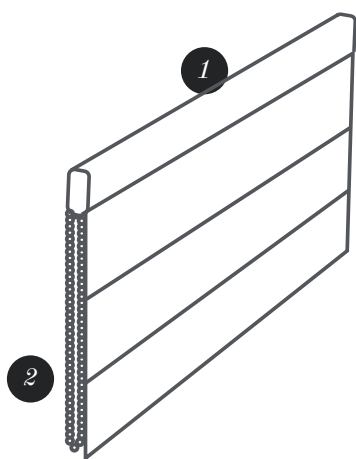
ROMAN BLIND FITTING

Instructions

CLASSIC HEADRAIL

GRAHAM & BROWN
EST. 1946

Parts Identified




1 Headrail

2 Control Chain

Additional Parts


 Screws*

 Brackets

Tools Required

 Pencil

 Screwdriver

 Drill

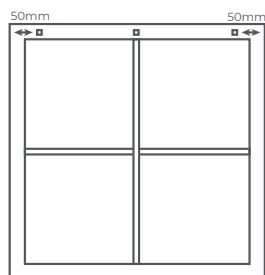
 Tape Measure

Fitting Instructions

1. MEASURE

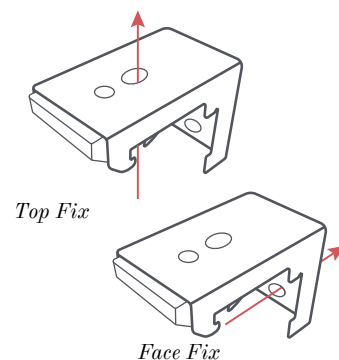
Measure 50mm inside each side of your window frame.

This is where the brackets need to be fitted. Additional brackets to be spaced evenly.



2. FIX BRACKETS

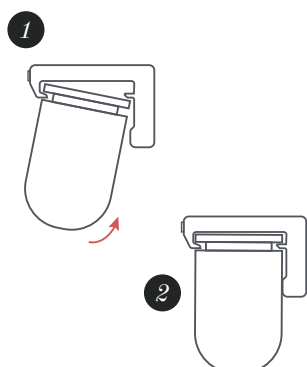
Choose whether you need to fit your brackets via top fix or face fix.



3. HOOK, TILT, CLICK

Hook ridge of headrail into lip of bracket.

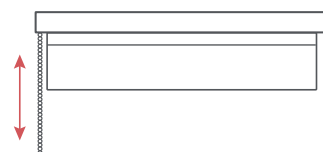
Push and tilt headrail until it clicks into place.



4. OPERATING THE BLIND

Pull the chain to raise and lower your blind.

Do not continue pulling when the blind is fully retracted as you will damage it.

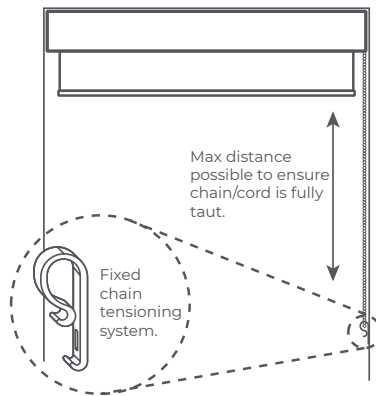


Child Safety

Tensioning Device

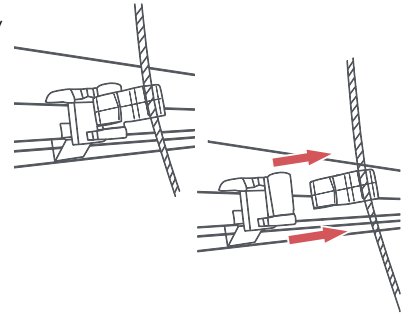
Tensioning device must be attached at 1.5m above the ground.

Ensure the chain is fully taut.



Cord Safety

The cords on the back are connected to breakaway clips which disconnect when weight is put on the cords.



Child Safety

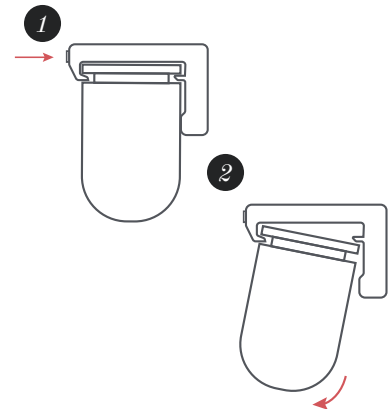
Keep all cords and chains out of reach of children.
Loose cords or chains should never be tied together.

Removing the Blind

Unclip from Brackets

Push the button on the front of the bracket.

Tilt the headrail backwards and ease out of the brackets.



Cleaning Instructions

To keep your blind looking its best for longer use the upholstery brush on your vacuum cleaner.

*If fitting into a wall or lintel you will require rawl plugs.

GRAHAM & BROWN
EST. 1946

grahambrown.com