

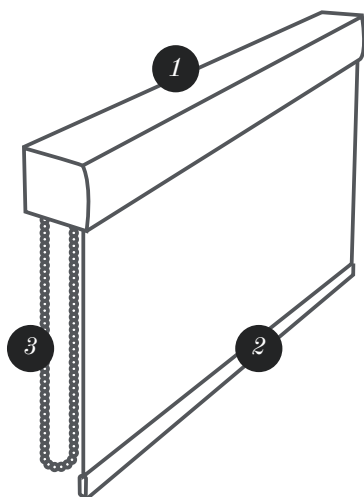
ROLLER BLIND FITTING

Instructions

GRAHAM & BROWN
EST. 1946

CASSETTE HEADRAIL

Parts Identified




1 Cassette

3 Control Chain

2 Bottom Bar


Additional Parts


 Screws*

 Brackets

Tools Required

 Pencil

 Drill

 Screwdriver

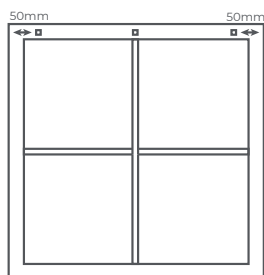
 Tape Measure

Fitting Instructions

1. MEASURE

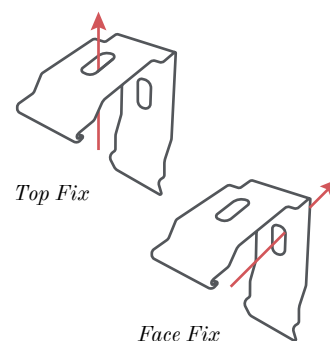
Measure 50mm inside each side of your window frame.

This is where the brackets need to be fitted. Additional brackets to be spaced evenly.



2. FIX BRACKETS

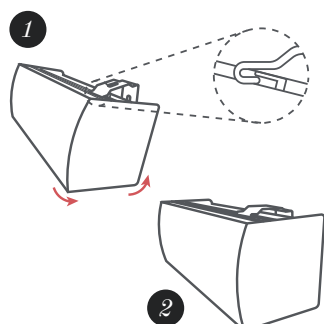
Choose whether you need to fit your brackets via top fix or face fix.



3. HOOK, TILT, CLICK

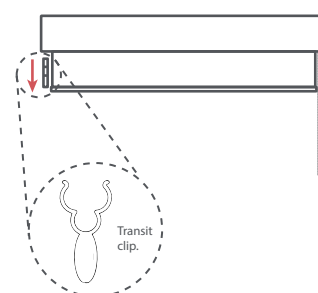
Hook ridge of cassette into lip of bracket.

Push and tilt cassette until it clicks into place.



4. REMOVE TRANSIT CLIP

Remove transit clip and discard.

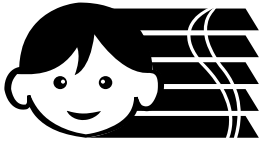


Child Safety

Tensioning Device

Tensioning device must be attached at 1.5m above the ground.

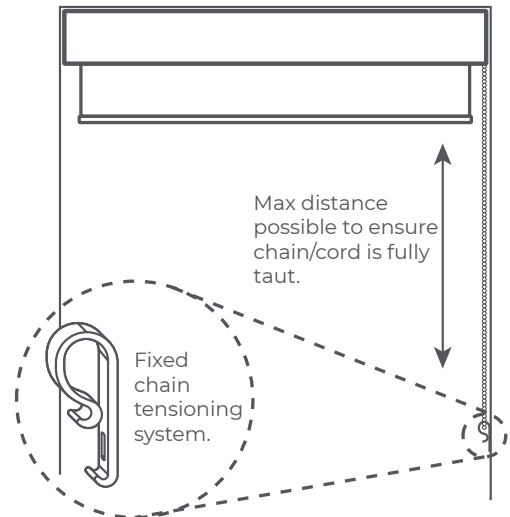
Ensure the chain is fully taut.



Keep all cords and chains out of reach of children.

Loose cords or chains should never be tied together.

Child Safety

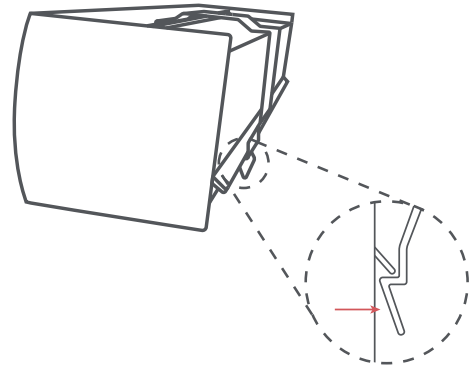


Removing the Blind

Unclip from Brackets

Press the release tab on all brackets.

Tilt cassette backwards and ease out of brackets.



Cleaning Instructions

To keep your blind looking its best for longer use the upholstery brush on your vacuum cleaner.

*If fitting into a wall or lintel you will require rawl plugs.

GRAHAM & BROWN
EST. 1946

grahambrown.com