

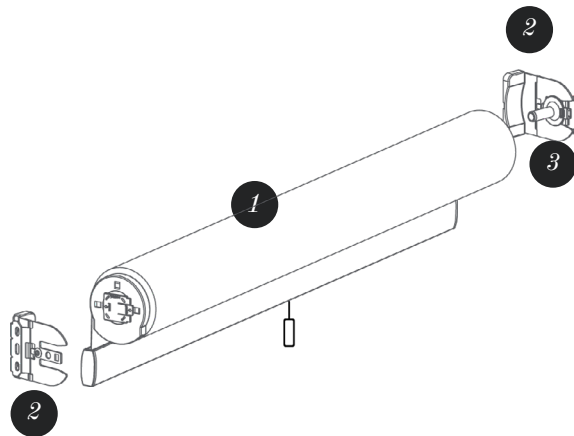
ROLLER SHADE INSTALLATION

Guide

GRAHAM & BROWN
EST. 1946

CLASSIC HEADRAIL - SPRING CONTROL

Parts Identified



1 Roller Tube

3 Pull Control

2 Brackets

Additional Parts

 Screws*

 Brackets

Tools Required

 Pencil

 Drill

 Screwdriver

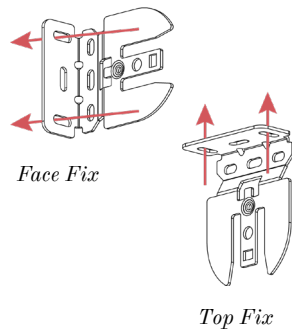
 Tape Measure

DO NOT REMOVE THE RED TRANSPORT CLIP BEFORE STEP 3.
YOUR BLIND WILL LOSE ITS TENSION.

Fitting Instructions

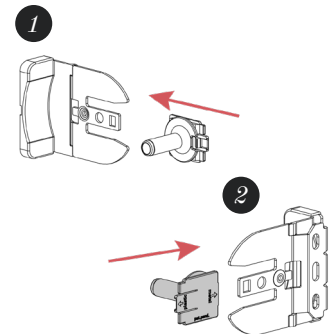
1. FIX BRACKETS

Measure the width of your shade. Mark this distance where you wish to fit your shade. Line up the outside of the brackets with these marks and mark where the screws will go. Drill the holes and fit the brackets. Face fix or top fix option.



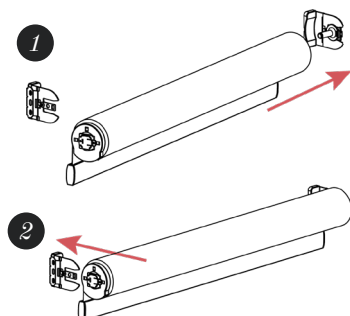
2. ATTACH BEARING PIN

Slide bearing pin onto the right hand bracket until it clicks in place.



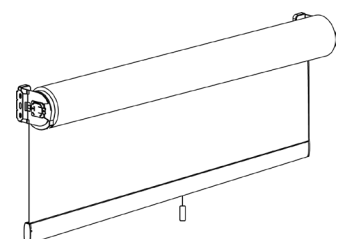
3. SLIDE AND CLICK

Slide roller tube onto bearing pin then slide left hand side onto the bracket. The red transport clip will come off as you do this.



4. OPERATING YOUR SHADE

Gently pull cord down to lift shade up pull downwards and release the pressure whilst holding the cord. You can stop the shade at a desired height by pulling slightly downwards.

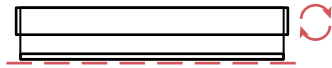


Adjusting the Spring

The spring will come pre-tensioned but you can adjust the height of your shade once it is fitted.

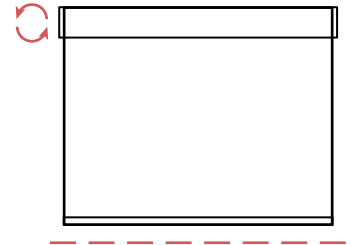
1. Set Top Height

To set the top height of the shade lower, rotate the right wheel away from you. To set the top height higher, rotate the right wheel towards you.



2. Adjust Bottom

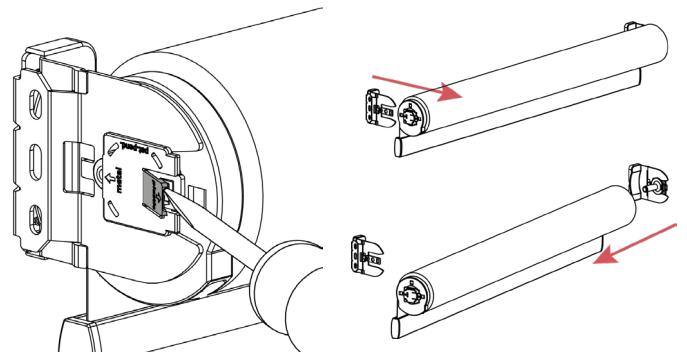
Pull the shade down to its full extent. Rotate the left wheel towards you to make the shade longer and away from you to make it shorter.



Removing the Shade

Unclip from Brackets

Use a flat head screwdriver to release the left hand side of the shade. Slide this end off the bracket and then gently slide off the bearing pin.



Cleaning Guide

Use a dry lint free cloth to wipe over the fabric of the shade. No cords or chains make this system completely child safe. The pull cord will never be longer than 8".

*Before you start fitting your shade make sure the screws are suitable for the surface you are fitting into. Some surfaces will require wall plugs and different screws to the ones we provide.



Keep all cords and chains out of reach of children.

Loose cords or chains should never be tied together.

GRAHAM & BROWN
EST. 1946

grahambrown.com