

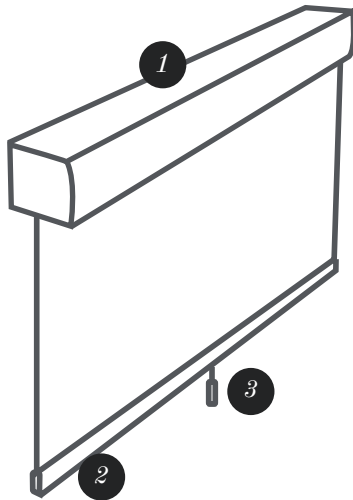
ROLLER SHADE INSTALLATION

Guide

GRAHAM & BROWN
EST. 1946



CASSETTE HEADRAIL - SPRING CONTROL

Parts Identified



- 1 Cassette
- 2 Bottom Bar
- 3 Pull Control

Additional Parts

-  Screws*
-  Brackets

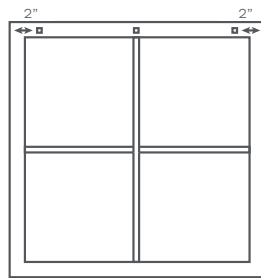
Tools Required

-  Pencil
-  Drill
-  Screwdriver
-  Tape Measure

Fitting Instructions

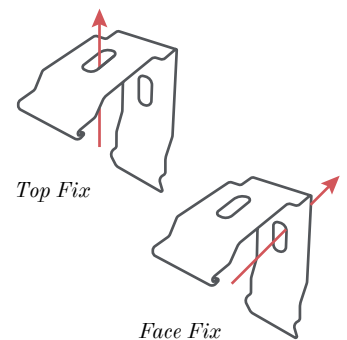
1. MEASURE

The brackets need to be positioned 2" in from each side of the shade. Using your tape measure, mark these points with a pencil. Evenly space additional brackets between the two end brackets.



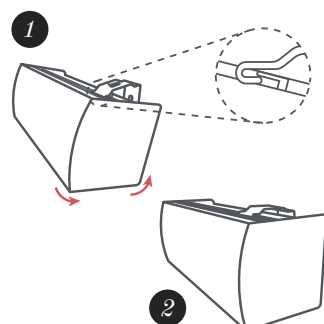
2. FIX BRACKETS

Choose whether you need to fit your brackets via top fix or face fix. Hold the brackets up to the pencil marks made in Step 1. Mark the relevant hole with a pencil. Drill holes and use suitable screws to fix the brackets. With a spirit level, check the brackets are level.



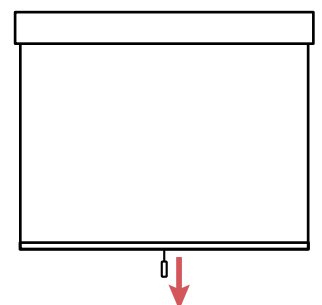
3. HOOK, TILT, CLICK

When the brackets are fitted, hook the ridge on the top of the cassette into the front of the brackets then push and tilt the cassette back until it clicks into the back part of the bracket.



4. OPERATING YOUR SHADE

Gently pull the cord down. To lift shade downwards and release the pressure whilst holding the cord. You can stop the shade at a desired height by pulling slightly downwards.

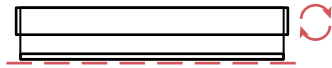


Adjusting the Spring

The spring will come pre-tensioned but you can adjust the height of your shade once it is fitted.

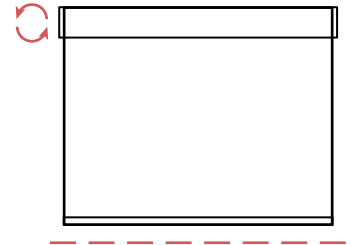
1. Set Top Height

To set the top height of the shade lower, rotate the right wheel away from you. To set the top height higher, rotate the right wheel towards you.



2. Adjust Bottom

Pull the shade down to its full extent. Rotate the left wheel towards you to make the shade longer and away from you to make it shorter.

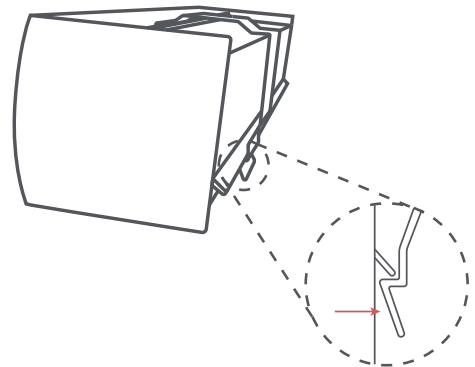


Removing the Shade

Unclip from Brackets

Press the release tab on all brackets.

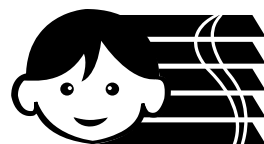
Tilt cassette backwards and ease out of brackets.



Cleaning Guide

Use a dry lint free cloth to wipe over the fabric of the shade. No cords or chains make this system completely child safe. The pull cord will never be longer than 8".

*Before you start fitting your shade make sure the screws are suitable for the surface you are fitting into. Some surfaces will require wall plugs and different screws to the ones we provide.



Child Safety

Keep all cords and chains out of reach of children.

Loose cords or chains should never be tied together.

GRAHAM & BROWN
EST. 1946

grahambrown.com