

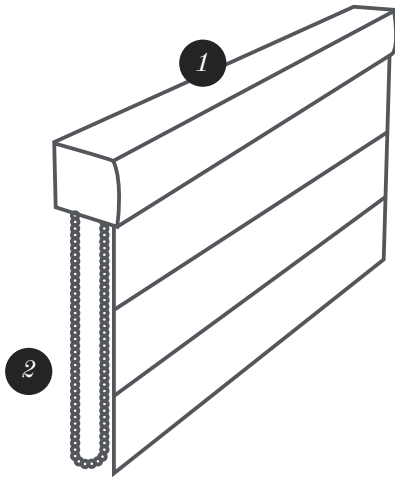
# ROMAN BLIND FITTING

## Instructions

GRAHAM & BROWN  
EST. 1946



### CASSETTE HEADRAIL

#### Parts Identified



- 1 Cassette
- 2 Control Chain

#### Additional Parts

-  Screws\*
-  Brackets

#### Tools Required

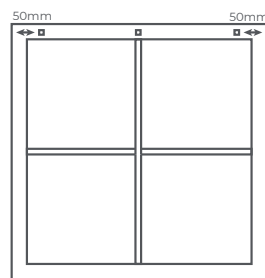
-  Pencil
-  Screwdriver
-  Drill
-  Tape Measure

#### Fitting Instructions

##### 1. MEASURE

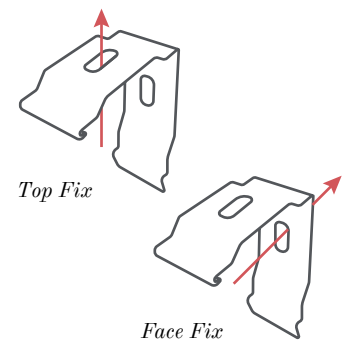
Measure 50mm inside each side of your window frame.

This is where the brackets need to be fitted. Additional brackets to be spaced evenly.



##### 2. FIX BRACKETS

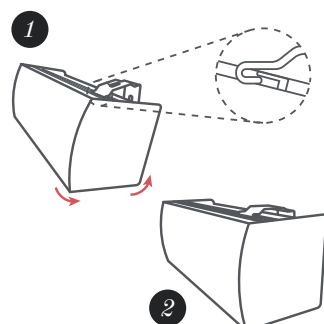
Choose whether you need to fit your brackets via top fix or face fix.



##### 3. HOOK, TILT, CLICK

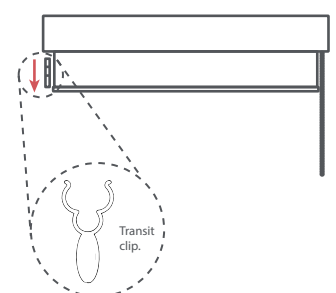
Hook ridge of cassette into lip of bracket.

Push and tilt cassette until it clicks into place.



##### 4. REMOVE TRANSIT CLIP

Remove transit clip and discard.

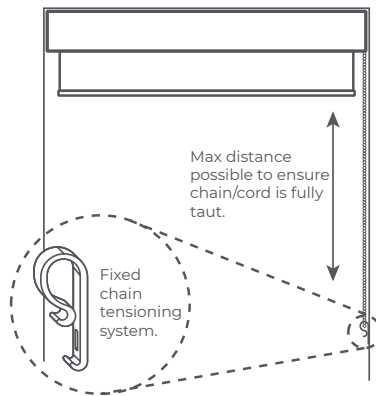


## Child Safety

### Tensioning Device

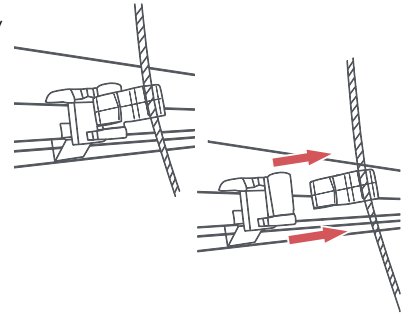
Tensioning device must be attached at 1.5m above the ground.

Ensure the chain is fully taut.



### Cord Safety

The cords on the back are connected to breakaway clips which disconnect when weight is put on the cords.



### Child Safety

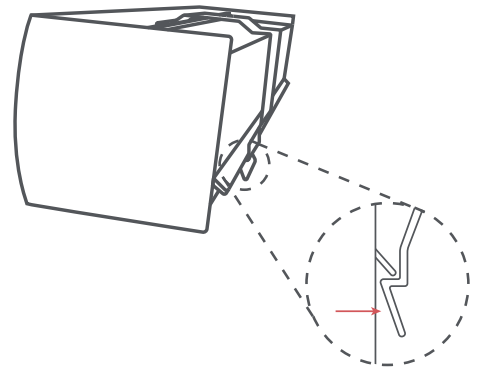
Keep all cords and chains out of reach of children.  
Loose cords or chains should never be tied together.

## Removing the Blind

### Unclip from Brackets

Press the release tab on all brackets.

Tilt cassette backwards and ease out of brackets.



## Cleaning Instructions

To keep your blind looking its best for longer use the upholstery brush on your vacuum cleaner.

\*If fitting into a wall or lintel you will require rawl plugs.

**GRAHAM & BROWN**  
EST. 1946

*grahambrown.com*