

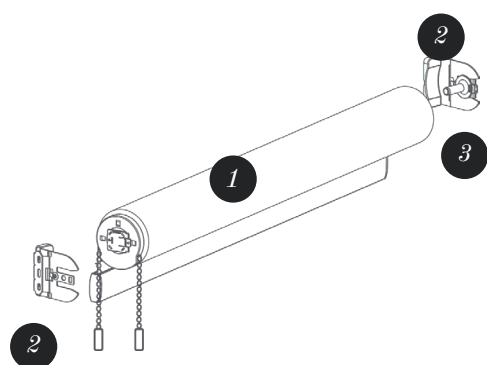
ROLLER SHADE INSTALLATION

Guide

GRAHAM & BROWN
EST. 1946

CLASSIC HEADRAIL - TWIN PULL CONTROL

Parts Identified




1 Roller Tube

3 Bearing Pin

2 Brackets


Additional Parts

 Screws*

 Brackets

Tools Required

 Pencil

 Drill

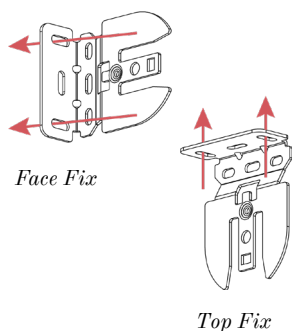
 Screwdriver

 Tape Measure

Fitting Instructions

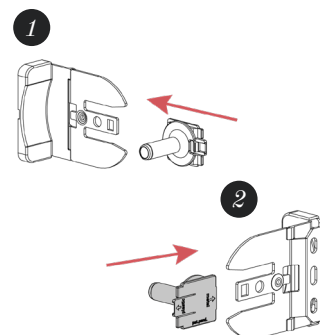
1. FIX BRACKETS

Measure the width of your shade. Mark this distance where you wish to fit your blind. Line up the outside of the brackets with these marks and mark where the screws will go. Drill the holes and fit the brackets. Face fix or top fix option.



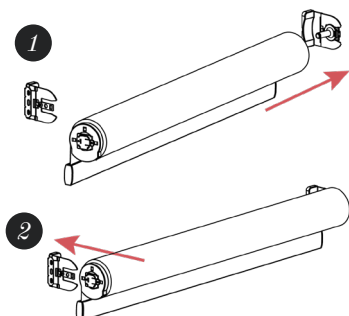
2. ATTACH BEARING PIN

Slide bearing pin onto the right hand bracket until it clicks in place.



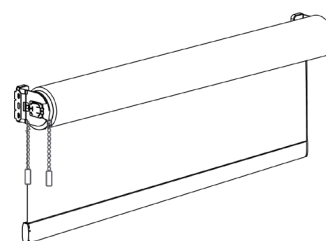
3. SLIDE AND CLICK

Slide roller tube onto bearing pin then slide left hand side onto the bracket. The red transport clip will come off as you do this.



4. OPERATING YOUR BLIND

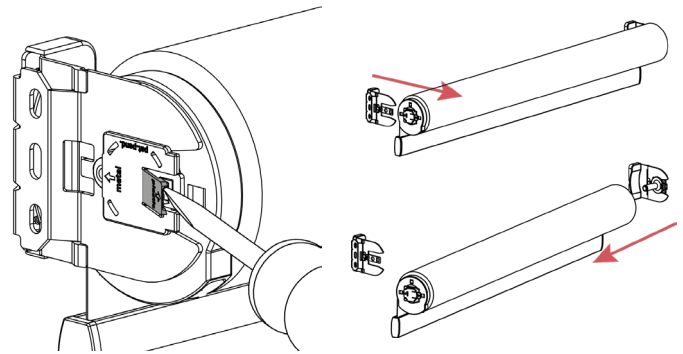
Gently pull down on the back chain to lower your shade, release at the point you want it to stop. Pull down on the front chain to raise your blind.



Removing the Shade

Unclip from Brackets

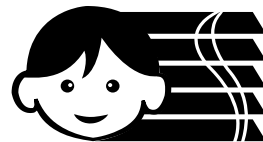
Use a flat head screwdriver to release the left hand side of the blind. Slide this end off the bracket and then gently slide off the bearing pin



Cleaning Guide

Use a dry lint free cloth to wipe over the fabric of the shade.
No looped chain makes this system child safe.

*Before you start fitting your shade make sure the screws are suitable for the surface you are fitting into. Some surfaces will require wall plugs and different screws to the ones we provide.



Child Safety

Keep all cords and chains out of reach of children.

Loose cords or chains should never be tied together.

GRAHAM & BROWN
EST. 1946

grahambrown.com